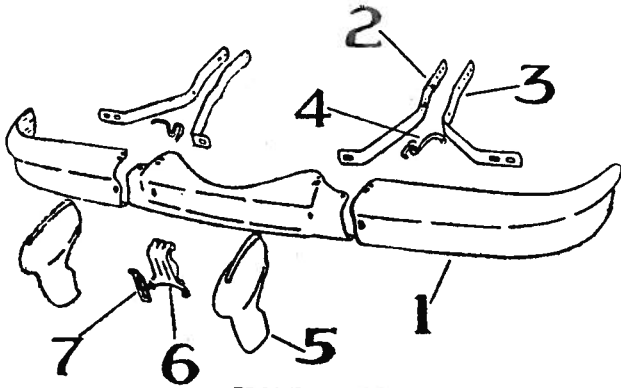


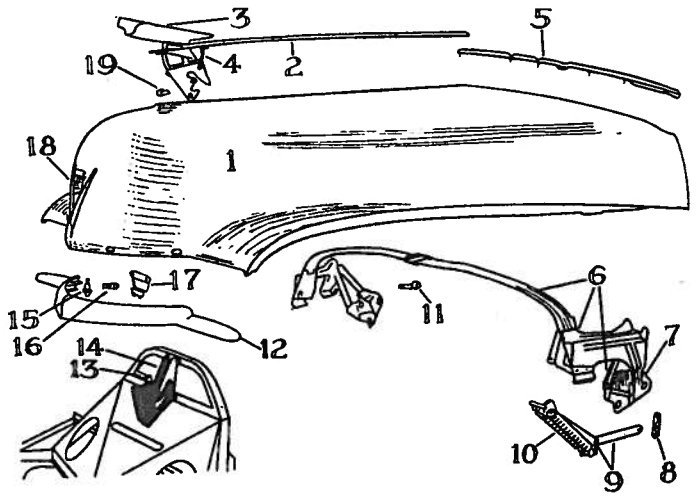
CADILLAC 1949 BODY PARTS

Series 75. ALL BODY STYLES



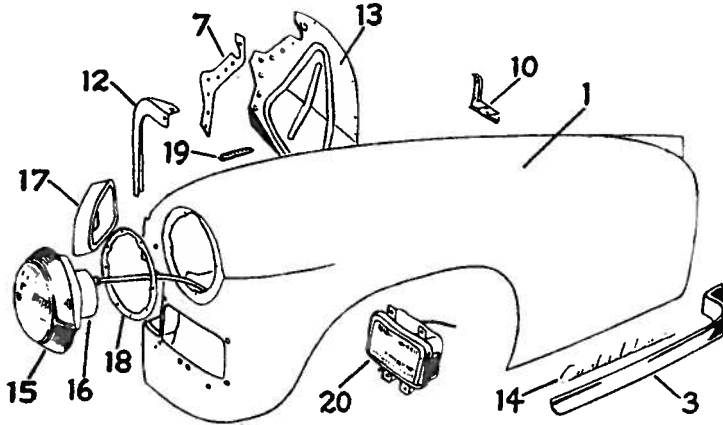
FRONT BUMPER

| Item | Part No. | Description | Price | Item | Part No. | Description | Price |
|------|----------|--------------|-------|------|----------|-------------|-------|
| 1 | 1447937 | Bar (3 pc.) | 53.50 | 5 | 3507505 | Guard (2) | 9.80 |
| 2 | 1447950 | Back bar, L. | 2.55 | 6 | 1453219 | Bracket | 1.20 |
| 3 | 1447952 | Back bar, R. | 2.70 | 7 | 1441078 | Clamp | .23 |
| 4 | 1446183 | Bumper | .17 | | | | |



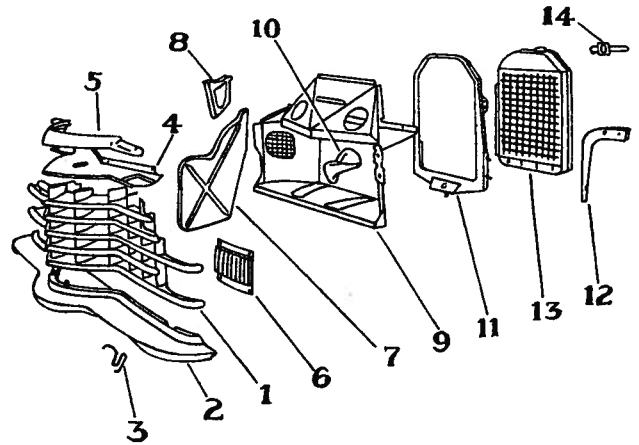
HOOD

| Item | Part No. | Description | Price | Item | Part No. | Description | Price |
|------|----------|---------------|-------|------|----------|-------------|-------|
| 1 | 3630069 | Hood | 77.00 | 11 | 3506740 | Guide | 10.00 |
| 2 | 1465094 | Molding | 4.65 | 12 | 1452216 | Molding | 10.00 |
| 3 | 1453909 | Ornament | 8.25 | 15 | 506571 | Pilot | 1.00 |
| 4 | 1454548 | Base | 4.00 | 16 | 1451139 | Clip | 1.00 |
| 5 | 4115066 | Weatherstrip | 1.40 | 17 | 1451082 | Bracket | 2.00 |
| 6 | 3506613 | Reinforcement | 8.80 | 18 | 3507570 | Emblem | 3.00 |
| 7 | 1441706 | Bracket, L. | 1.00 | 19 | 1451082 | Crest | 3.00 |
| 8 | 3506728 | Bracket | .85 | | | | |
| 10 | 1442694 | Spring, L. | 2.30 | | | | |



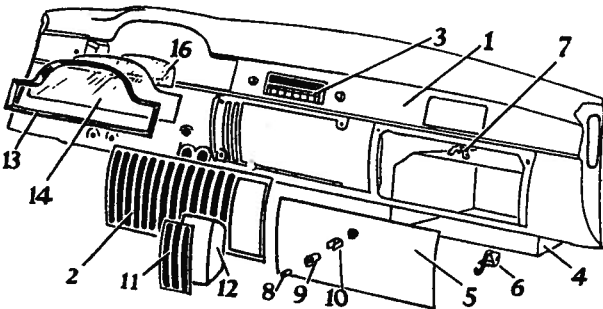
FRONT FENDER

| Item | Part No. | Description | Price | Item | Part No. | Description | Price |
|------|----------|------------------|-------|---------|----------------------|--------------|-------|
| 1 | 3508422 | Fender, L. | 60.00 | 5937005 | Housing, L., fg. lp. | 1.70 | |
| 2 | 1453177 | Molding, L. | 7.50 | 5935981 | Gasket, fog lamp | .90 | |
| 3 | 1446161 | Seal | .40 | 5935985 | Gasket, L. Mount. | 1.70 | |
| 4 | 1442837 | Support, L. | .85 | 5935983 | Fog lamp lens | .90 | |
| 5 | 1452305 | Name plate | 3.75 | 5936785 | Reflector, fog lamp | 4.45 | |
| 6 | 5931508 | Door, headlamp | 2.75 | 5935968 | Plate, reflector | 3.20 | |
| 7 | 5933857 | Headlamp | 4.35 | 5935982 | Gasket, F. lp. lens | .20 | |
| 8 | 1453486 | Gasket, headlamp | 12.05 | 20 | 928519 | Parking lamp | 5.00 |
| 9 | 1989779 | Terminal block | .35 | 5933206 | Body, park. lamp | 1.25 | |
| 10 | 926711 | Fog lamp, L. | .30 | 5933022 | Door, park. lamp | .85 | |
| | | | 27.25 | | | | |



GRILLE

| Item | Part No. | Description | Price | Item | Part No. | Description | Price |
|------|----------|-------------------|-------|---------|-----------------|---------------|-------|
| 1 | 3507816 | Grille, rad. | 65.00 | 13 | 3121440 | Rad. core | 74.00 |
| 2 | 3508094 | Deflector, gravel | 9.80 | 3122506 | Core, less tank | 44.00 | |
| 3 | 1446183 | Bumper, deflect. | .17 | 14 | 1453818 | Housing thmo. | 2.00 |
| 4 | 3508432 | Plate, grille | 3.60 | 1316931 | Retainer, plate | 1.00 | |
| 5 | 1452216 | Molding, grille | 10.00 | 1444991 | Brace, L. | 1.00 | |
| 6 | 1452860 | Cover, fog lamp | .95 | 1453909 | Rad. ornament | 8.00 | |
| 7 | 3508438 | Baffle, air, C. | 2.90 | 1444765 | Shelf, mud, ft. | 1.00 | |
| 8 | 3508493 | Baffle, air, rear | 2.90 | 1455972 | Cross member | 19.00 | |
| 9 | 3508437 | Deflector assem. | 30.00 | 503635 | Mem. reinf. | 3.00 | |
| 10 | 1999622 | Horn, w/unit | 6.50 | | | | |

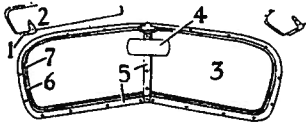


INSTRUMENT PANEL

| Item | Part No. | Description | Price | Item | Part No. | Description | Price |
|------|---|-------------|-------|---------|-----------------|-------------|-------|
| 1 | Instrument Panel, 4569775-7519X, 23L, 23X | 53.50 | 7 | 4565802 | Catch, 49 | 1.50 | |
| 2 | 4566748-7533L, 33X | 53.50 | 8 | 1394994 | Lock cylin., 49 | .80 | |
| 3 | 3830106-Grille, 49 | 13.25 | 9 | 4099315 | Housing, 49 | .65 | |
| 4 | 1455341-Plate, 49 | 2.90 | 10 | 4131049 | Retainer, 49 | .12 | |
| 5 | 4565739-Box, 49 | 3.50 | 11 | 1455509 | Door, 49 | 2.00 | |
| 6 | 4569212-Door, 7519X, 23L, 23X | 12.50 | 12 | 1455005 | Tray, 49 | 1.50 | |
| 7 | 4569213-Door, 7533L, 33X | 12.50 | 13 | 1569959 | Frame, 49 | 10.30 | |
| 8 | 4564678-Hinge, 49 | .90 | 14 | 1569967 | Lens, 49 | .80 | |
| | | | 16 | 1569964 | Lens, in., 49 | 7.70 | |

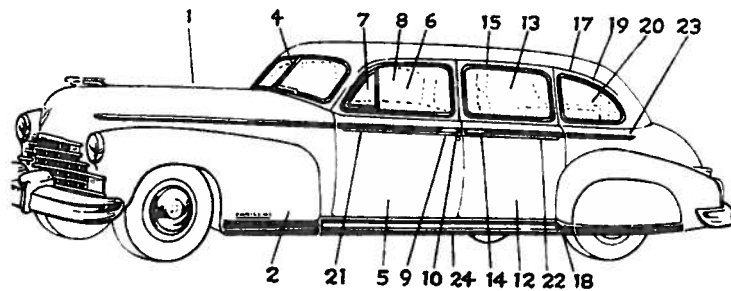
BODY PARTS 1949 CADILLAC

Series 75. ALL BODY STYLES



WINDSHIELD

| Part No. | Description | Price | Item Part No. | Description | Price |
|----------|----------------------|-------|---------------|-----------------------------------|-------|
| 4113904 | Suprt. shde., L., 75 | 1.25 | 4115745 | Garnish mold., L., O.S., 75 | 9.20 |
| 4165664 | Sunshade, 7519X, 23X | 7.50 | 4115742 | Garn. mold., vert., 75 | 2.60 |
| 4165761 | Sunshade, 7523L | 7.50 | 4112800 | Wthstrip., 75 | 4.90 |
| 4165665 | Sunshade, 7533L, 33X | 7.00 | 4160998 | Retain. mold., out., L., O.S., 75 | 3.75 |
| 4099226 | Glass, 75 | 14.70 | 4160996 | Retain. mold., out., vert., 75 | 1.75 |
| 1465362 | Mirror, 75 | 4.35 | | | |

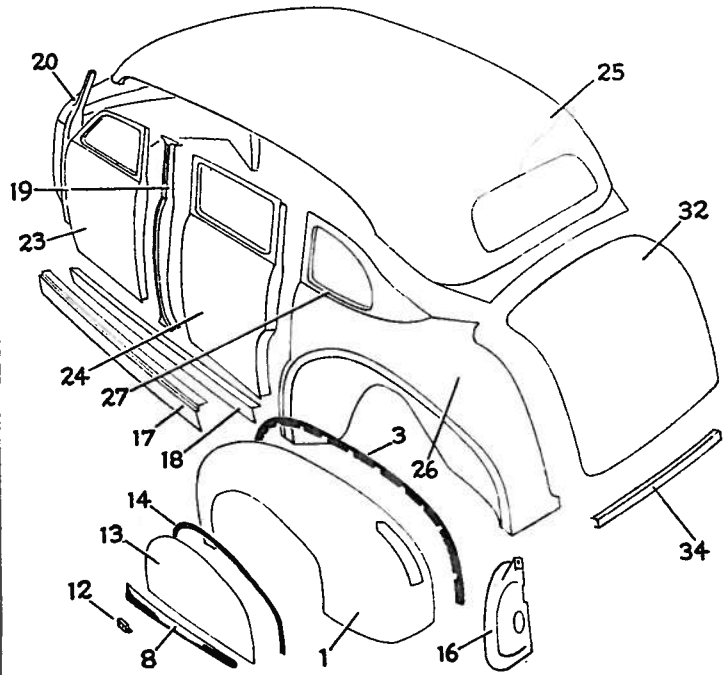


CAR BODY CHROME & TRIM MOULDING, LEFT SIDE

4-DOOR WITH QUARTER PANEL WINDOW

1949-7519, 23, 33 (X) (L)

| Part No. | Description | Price | Item Part No. | Description | Price |
|----------|-----------------------------|-------|---------------|------------------------------------|-------|
| 1465094 | Hood molding, 49.. | 4.65 | 4102452 | Rr. dr. glass, 49... | 14.40 |
| 1453177 | Fender molding, 49 | 7.50 | 4115189 | Rr. dr. handle, 49 | 4.30 |
| 4160998 | W/s molding, O.S., 49 | 3.75 | 4102573 | Rr. dr. rev. mold., 49 | 7.20 |
| 4160996 | W/s molding, vert., 49 | 1.75 | 4101825 | Drip mold., F., 49 | .80 |
| 4160520 | Front door, 7519X, 23X, 33X | 65.00 | 4102611 | Drip mold., Rr., 49 | 1.45 |
| 4116563 | Front door, 7523L, 33L | 58.50 | 18 1453175 | Rr. fend. mold., 49 | 7.00 |
| 4099434 | Frt. door glass, 49 | 9.35 | 4115492 | Rr. quart. window reveal mold., 49 | 6.35 |
| 4099406 | Vent. glass, 49 | 3.65 | 20 4102473 | Rr. quart. window glass, 49 | 11.20 |
| 4099648 | F. dr. reveal mold., 49 | 8.30 | 21 4115186 | F. dr. belt mold., 49 | 13.25 |
| 4115189 | F. dr. handle, 49 | 4.30 | 22 4115188 | Rr. dr. belt mold., 49 | 13.25 |
| 1393156 | F. dr. lock, 49 | 2.15 | 23 4114646 | Rr. quart belt mold., 49 | 13.50 |
| 4160936 | Rear door, 7519X, 23X, 33X | 67.50 | 24 3508025 | Run. brd., chrome, 49 | 64.00 |
| 4132227 | Rear door, 7523L, 33L | 62.50 | | | |

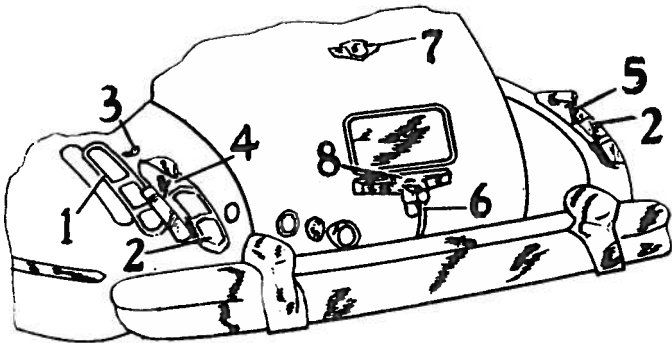


CAR BODY SHEET METAL, LEFT SIDE

4-DOOR WITH QUARTER PANEL WINDOW

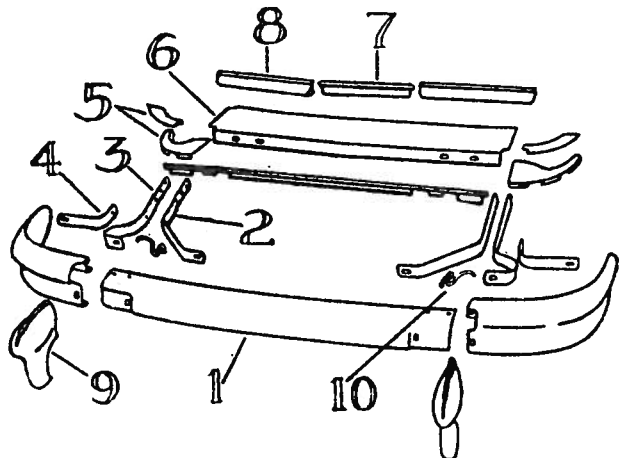
1949-7519, 7523, 7533 (X) (L)

| Item Part No. | Description | Price | Item Part No. | Description | Price |
|---------------|-----------------------------|--------|---------------|----------------------------|-------|
| 3507627 | Rear fender | 32.50 | 4116563 | Front door, 7523L, 33L | 58.50 |
| 1420410 | Anti-Squeak @ .17 ft. | | 4160936 | Rear door, 7519X, 23X, 33X | 67.50 |
| 1453175 | Fender molding | 7.00 | 4132227 | Rear door, 7523L, 33L | 62.50 |
| 1442352 | Bracket | .23 | 4112139 | Roof panel, 75 | 86.25 |
| 1451510 | Shield | 9.50 | 4162896 | Outer, 7519X, 23X, 33X | 58.75 |
| 1442354 | Seal | 1.15 | 4162896 | Outer, 7523L, 33L | 54.60 |
| 3506637 | Deflector | 3.95 | 4162894 | Quarter pnl. assy., in. 75 | 37.50 |
| 4149015 | Sill cover panel, out., 75 | 15.25 | 4149011 | Deck lid, 75 | 31.65 |
| 4149017 | Sill cover panel, in., 75 | 8.50 | 4149012 | End panel, bl. dk., 75 | 11.50 |
| 4112085 | Center pillar, 75 | 17.25 | | | |
| 4568447 | Cowl assembly, 75 | 120.00 | | | |
| 4160520 | Front door, 7519X, 23X, 33X | 65.00 | | | |



REAR & TAIL LAMPS

| Part No. | Description | Price | Item Part No. | Description | Price |
|----------|---------------|-------|---------------|--------------|-------|
| 1441639 | Pad, L. | 1.45 | 4115647 | Handle | 4.75 |
| 927473 | Rear lamp, L. | 9.50 | 3507586 | Emblem | 2.30 |
| 3506724 | Cover, L. | 7.20 | 1451059 | Emblem | 2.30 |
| 3506726 | Dummy cover | 5.45 | 927129 | Lamp license | 9.15 |

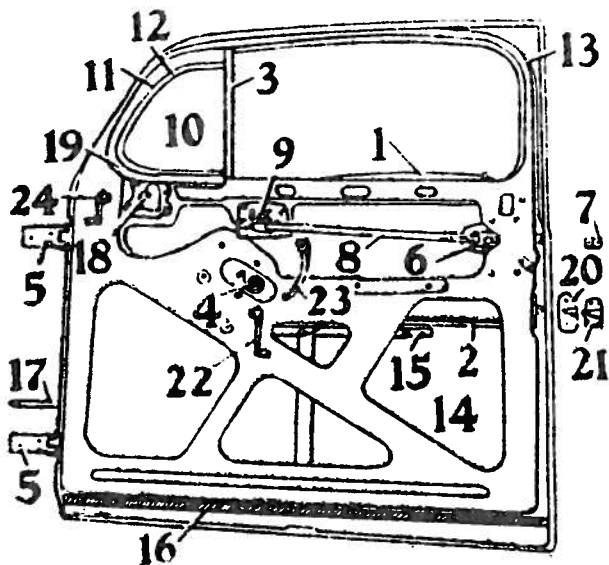


REAR BUMPER

| Item Part No. | Description | Price | Item Part No. | Description | Price |
|---------------|-------------|-------|---------------|---------------|-------|
| 1451035 | Bar (3 pc.) | 53.50 | 1097539 | Deflector, L. | 2.45 |
| 1451281 | Bar, L. | 2.70 | 1097533 | Deflector, C. | 6.20 |
| 1451284 | Bar, L. | 2.00 | 1441856 | Valance | 5.75 |
| 1451283 | Bar, L. | 2.40 | 3507529 | Guard | 8.45 |

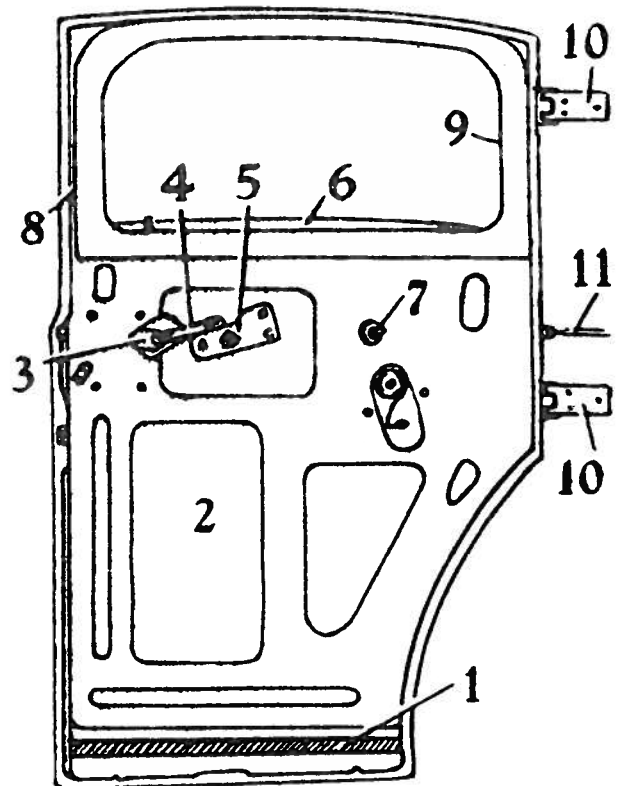
CADILLAC 1949 BODY PARTS

Series 75. ALL BODY STYLES



FRONT DOOR GLASS & HARDWARE
4-DOOR STYLE

| Item Part No. | Description | Price | Item Part No. | Description | Price |
|---------------|--|-------|---------------|------------------------------------|-------|
| 1 | 4099434—Glass, 75 | 9.35 | 12 | 4116768—Sash chnl., vent., L., 75 | 5.25 |
| 2 | 4160785—Sash chnl., L. low., 7519X, 23X, 33X | 1.25 | 13 | 4092263—Weatherstrip, 75 | 1.95 |
| 2 | 4099438—Sash chnl., L. low., 7523L, 33L | 1.05 | 14 | 4160520—Dr., L., 7519X, 23X, 33X | 65.00 |
| 3 | 4134149—Run chnl., L. ft. (leather) 7533L, 33X | 3.75 | 14 | 4116563—Dr., L., 7523L, 33L | 58.50 |
| 3 | 4121771—Run chnl., L. ft. (cloth), 75 | 3.45 | 15 | 4160950—Cam, reg., 7519X, 23X, 33X | 1.25 |
| 4 | 4160988—Regul., L., 7519X, 23X, 33X | 12.00 | 15 | 4073827—Cam, reg., 7523L, 33L | .30 |
| 4 | 4099913—Regul., L., 7523L, 33L | 4.50 | 16 | 4149240—Wthrstrp., L. ct., 75 | 2.20 |
| 5 | 4114409—Hinge, L. low., 75 | 2.25 | 17 | 4091158—Check link, 75 | .60 |
| 5 | 4113441—Hinge, L. up., 75 | 3.16 | 18 | 4116879—Regul., vent., L., 75 | 2.90 |
| 6 | 4113800—Lock assy., L., 75 | 4.25 | 19 | 4099410—Wthrstrp., vent., L., 75 | 1.15 |
| 7 | 4553579—Striker, 75 | 1.15 | 20 | 4111491—Cover, bumper, 75 | .85 |
| 8 | 4114742—Control link, 75 | .30 | 21 | 4073913—Wedge, plate, 75 | .35 |
| 9 | 4168808—Remote control, L., 7519X, 23X | 1.15 | 22 | 4116863—Handle, reg., 7523L, 33L | 2.00 |
| 9 | 4132342—Remote control, L., 7523L, 33L, 33X | 1.15 | 23 | 4091129—Handle, lock, 75 | 1.25 |
| 10 | 4099406—Glass, vent., 75 | 3.65 | 24 | 4116862—Handle, vent. reg. | 1.75 |
| 11 | 4120975—Chnl., vent., L., 75 | 8.65 | | | |



REAR DOOR GLASS & HARDWARE
NON-VENT TYPE

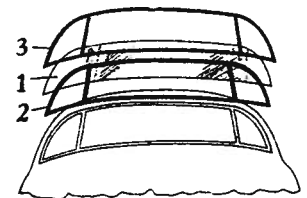
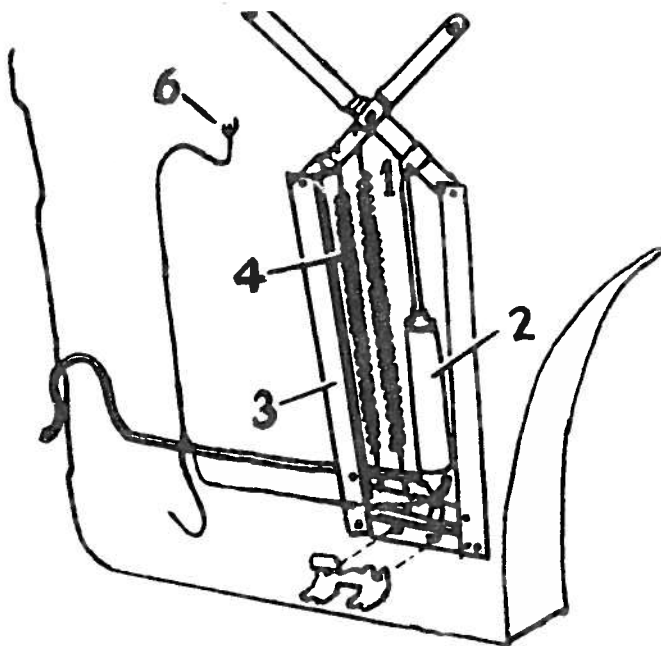
| Item Part No. | Description | Price | Item Part No. | Description | Price |
|---------------|----------------------------------|-------|---------------|-------------------------------------|-------|
| 1 | 4149242—Wthrstrp., L., 75 | 2.15 | 7 | 4160989—Regul., L., 7519X, 23X, 33X | 11.00 |
| 2 | 4160936—Dr., L., 7519X, 23X, 33X | 67.50 | 8 | 4092263—Wthrstrp., 75 | 1.95 |
| 2 | 4132227—Dr., L., 7523L, 33L | 62.50 | 9 | 4102472—Run chnl., up., 75 | 1.00 |
| 3 | 4125249—Lock assy., L., 75 | 4.90 | 10 | 4115490—Hinge, L. up., 75 | 1.00 |
| 4 | 4131163—Link, ctrl., L., 75 | .40 | 10 | 4112828—Hinge, L. low., 75 | 1.00 |
| 5 | 4132341—Rem. cntrl., L., 75 | 1.15 | 11 | 4102629—Check link, 75 | 1.00 |
| 6 | 4102452—Glass, 75 | 14.40 | 12 | 4091129—Handle, lock | 1.25 |
| 7 | 4114249—Regul., L., 7523L, 33L | 4.50 | 13 | 4116863—Handle, reg., 7523L, 33L | 2.00 |

HYDRAULIC WINDOW LIFTS

LEFT REAR DOORS

49—7519X, 23X, 33X

| Item Part No. | Description | Price |
|---------------|-----------------------------|-------|
| 1 | 4160989—Hydro. reg. assy. | 12.00 |
| 2 | 4162965—Hydro. cylin., reg. | 10.50 |
| 3 | 4162124—Frame, reg. | 6.00 |
| 4 | 4149776—Return spring | 1.30 |
| 6 | 4149244—Hydraulic switch | 2.25 |

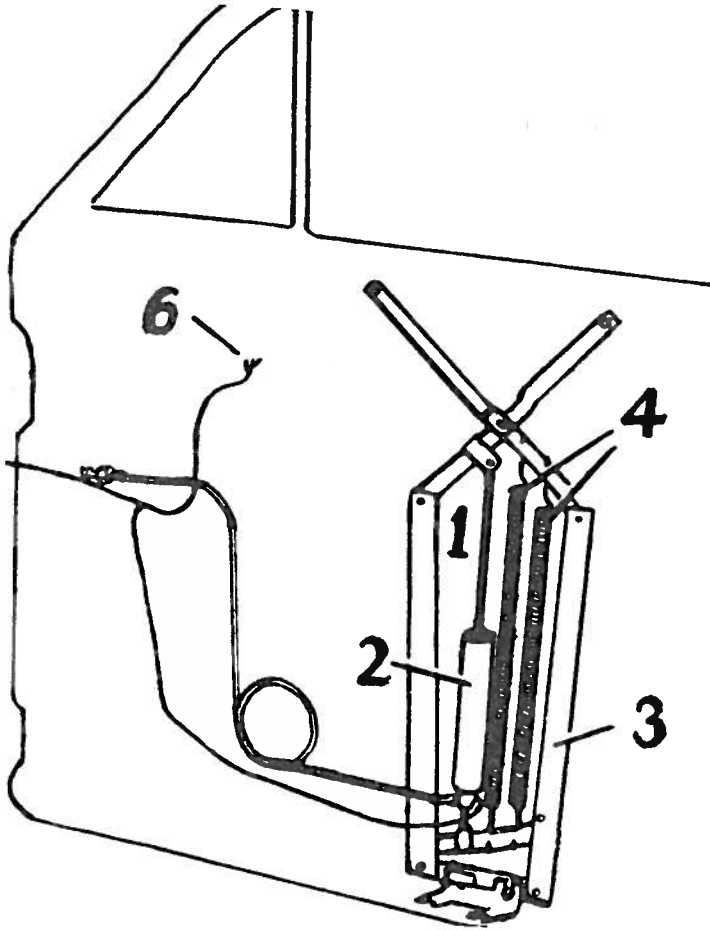


REAR WINDOWS, 1 PC. TYPE

| Item Part No. | Description | Price |
|---------------|-------------------------------------|-------|
| 1 | 4116354—Glass, 75 | 11.00 |
| 2 | 4116349—Mold., outer, L., vert., 75 | 1.00 |
| 2 | 4116760—Mold., outer, O. side, 75 | 1.00 |
| 3 | 4102483—Weatherstrip, 75 | 1.00 |

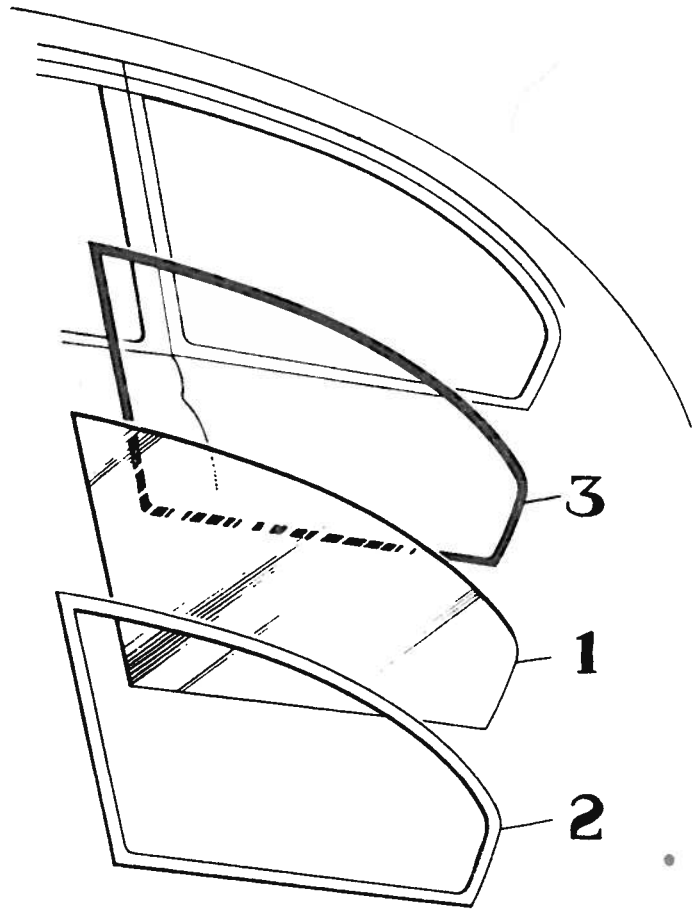
BODY PARTS 1949 CADILLAC

Series 75. ALL BODY STYLES



HYDRAULIC WINDOW LIFTS
LEFT FRONT DOORS

| Item Part No. | Description | Price |
|--------------------|--------------------|-------|
| 49-7519X, 23X, 33X | | |
| 1 4160988 | Hydrc. reg. assy. | 12.00 |
| 2 4149775 | Cylinder hyd. reg. | 9.00 |
| 3 4162126 | Frame, hyd. reg. | 6.00 |
| 4 4149776 | Return springs ... | 1.30 |
| 6 4566680 | Hydraulic switch.. | 5.80 |



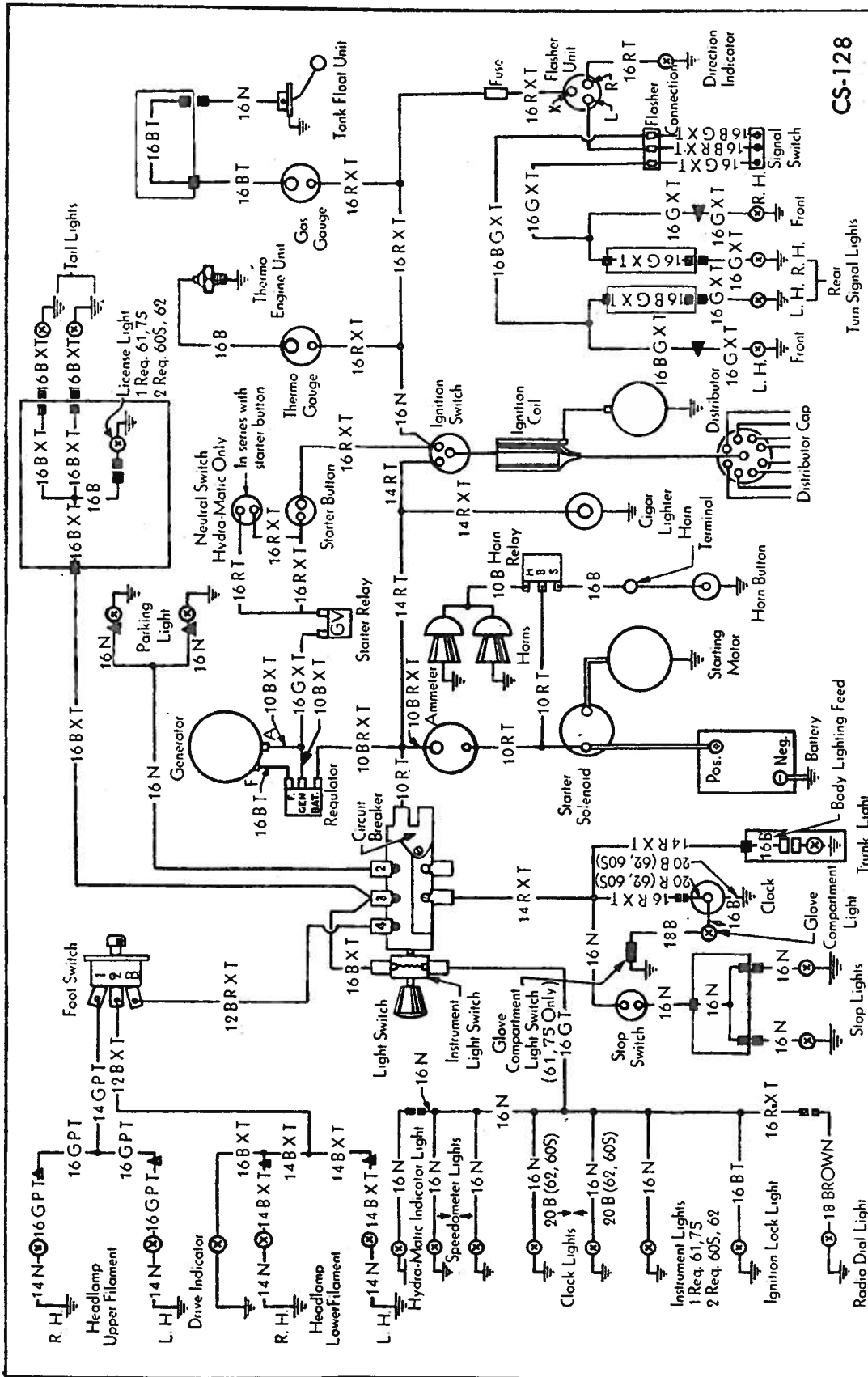
REAR QUARTER PANEL WINDOW
4-Door Style

| Item Part No. | Description | Price |
|---------------|------------------------------|-----------|
| 1 4102473 | Glass, vent., 49.... | 11.20 |
| 2 4115492 | Rev. mold., L., 49 | 6.35 |
| 3 4098697 | Wthrstrip. (glass slide), 49 | @ .17 ft. |



CADILLAC 1949 CHASSIS WIRING

Series 75. ALL BODY STYLES

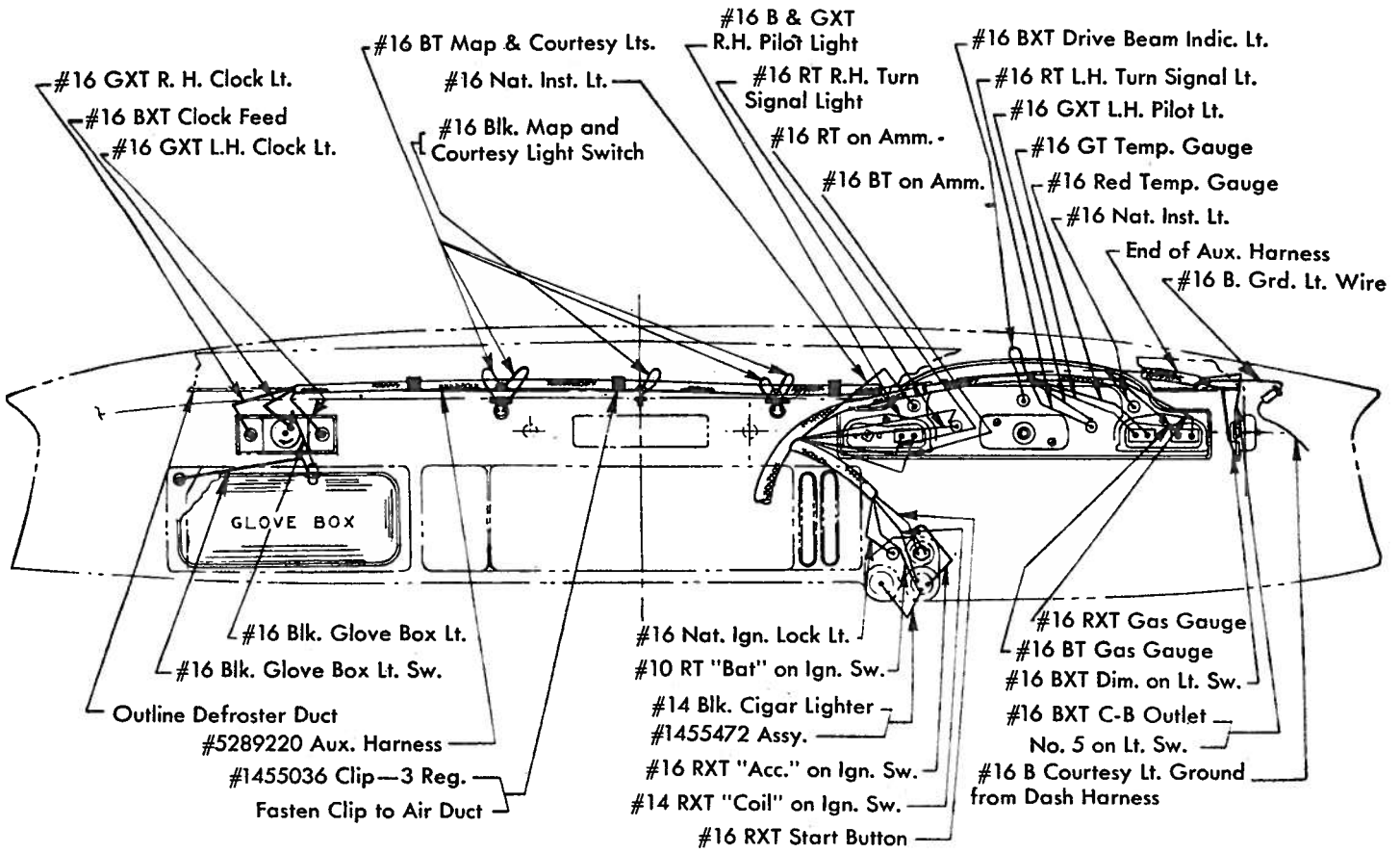


CS-128

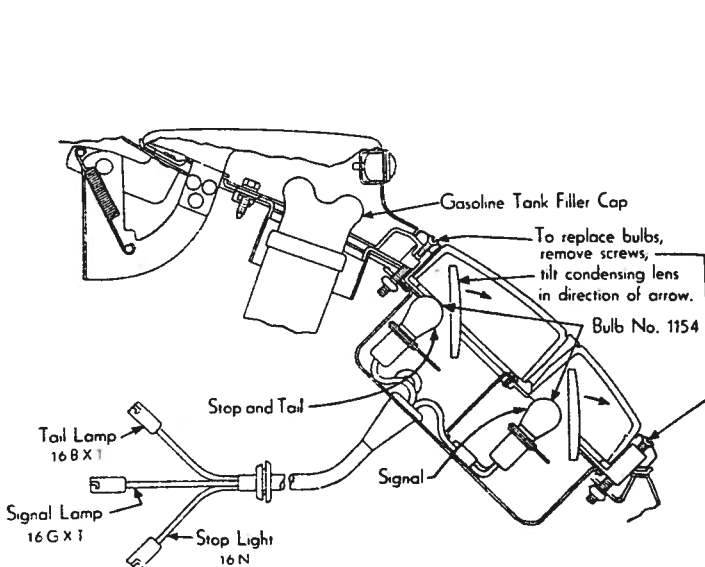
(Continued on page 2)

WIRING 1949 CADILLAC

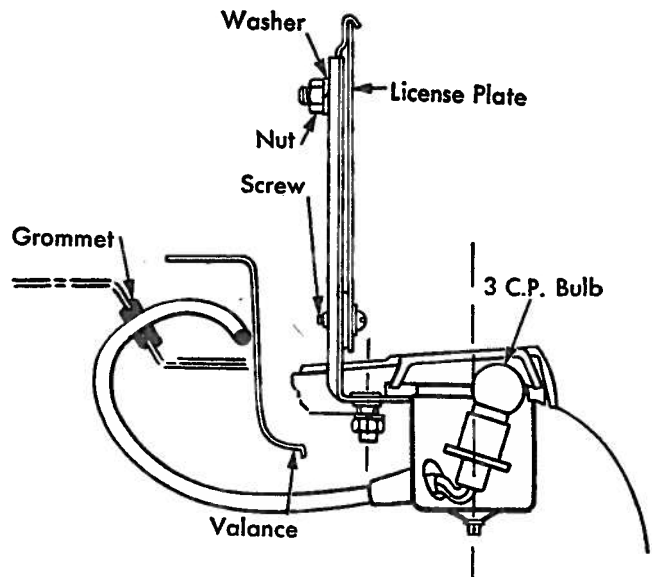
Series 75. ALL BODY STYLES



Instrument Panel Wiring Arrangement



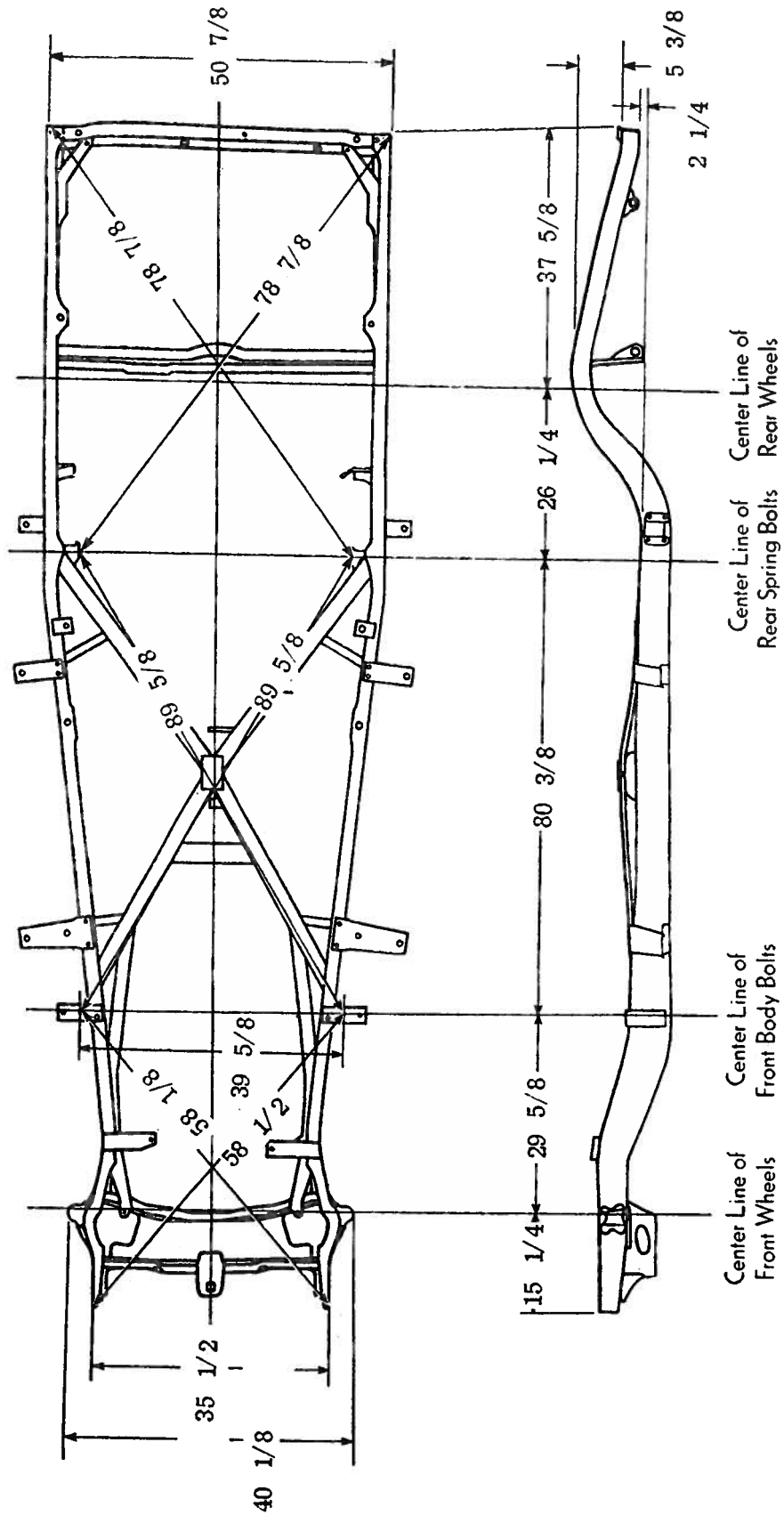
Rear Lamp Bulb Arrangement



License Plate Lamp

CADILLAC 1949 FRAME

Series 75. ALL BODY STYLES



FLAT RATE 1949 CADILLAC

Series 75. ALL BODY STYLES

| Chilton Job No. | Chilton Labor Price | Chilton Job No. | Chilton Labor Price | Chilton Job No. | Chilton Labor Price | Chilton Job No. | Chilton Labor Price | Chilton Job No. | Chilton Labor Price | Chilton Job No. | Chilton Labor Price | Chilton Job No. | Chilton Labor Price | Chilton Job No. | Chilton Labor Price | Chilton Job No. | Chilton Labor Price | | |
|-----------------|---------------------|--------------------|---------------------|--------------------|---------------------|--------------------|---------------------|--------------------|---------------------|-----------------|---------------------|--------------------|---------------------|--------------------|---------------------|--------------------|---------------------|----------|--|
| A | | A—continued | | A—continued | | B—continued | | C—continued | | D | | E—continued | | E—continued | | F—continued | | G | |
| 1 | 4.00 | 6 | 30.00 | 20 | 5.00 | 9 | 4.00 | 4 | 3.50 | 1 | 4.00 | 2 | 34.00 | 12 | | 2 | | 1 | |
| 1a | 3.50 | 7 | 3.00 | 20x | 8.00 | 10 | 4.50 | 5 | 4.00 | 1a | 3.50 | 3 | 32.50 | 13 | | 3 | | 2 | |
| 2 | 2.50 | 8 | 3.00 | | | 11 | 3.50 | 6 | 2.00 | 2 | 3.00 | 4 | 26.00 | 14 | 130.00 | 4 | | 3 | |
| 3 | | 8 | 4.00 | | | 12 | 3.75 | 7 | | 3 | | 5 | | 15 | | 5 | | 4 | |
| 4 | 19.00 | 10 | | | | 13 | 12.00 | 8 | 3.00 | 4 | 12.00 | 6 | 30.00 | 16 | | 6 | | 5 | |
| 4a | | 11 | 4.00 | | | 14 | 3.00 | 9 | 4.00 | 7 | 16.00 | 7 | 16.00 | 17 | | 7 | | 7x | |
| 4b | | 12 | | | | 15 | 1.25 | 10 | | 7x | | 8 | | 18 | 20.00 | 8 | | 8 | |
| 4c | 6.00 | 13 | | | | | | 11 | 3.50 | 19 | 12.00 | 8x | | 19 | 12.00 | 9 | | 9 | |
| 5 | | 14 | | | | | | 12 | 4.00 | 20 | 6.00 | 9 | 80.00 | | | 10 | | 10 | |
| 5a | | 15 | | | | | | 13 | | | | 9x | 90.00 | | | 11 | | 11 | |
| 5b | | 16 | | | | | | 14 | 3.00 | | | 9y | 85.00 | | | 12 | | 12 | |
| 5c | | 17 | | | | | | 15 | 1.25 | | | | | | | 13 | | 13 | |
| 5d | | 18 | 15.00 | | | | | | | | | | | | | 14 | | 14 | |
| | | | | | | | | | | | | | | | | | | | |

STEERING GEOMETRY

CASTER: Negative 1/2 to positive 1/2 degree.
CAMBER: Negative 3/8 to positive 3/8 degree.
TOE-IN: 1/32 to 3/32 in. negative. (toe-out).
CROSSWISE INCLINATION OF KING-PIN: 5 degree 51' at zero camber.

ALL MODELS

CASTER: is controlled by **FULL TURNS** of the upper eccentric pin.
CAMBER: is controlled by eccentric upper pin and full range is obtained in one-half turn.
TOE-IN: should be adjusted both tie-rods to centralize the steering. Turn both rods in direction of forward wheel rotation to decrease toe-in.

