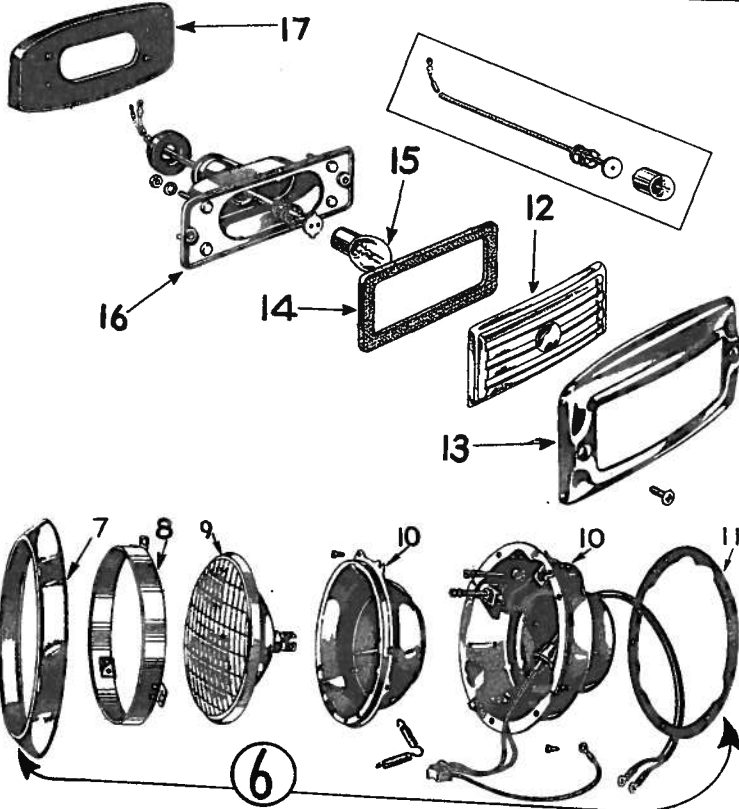
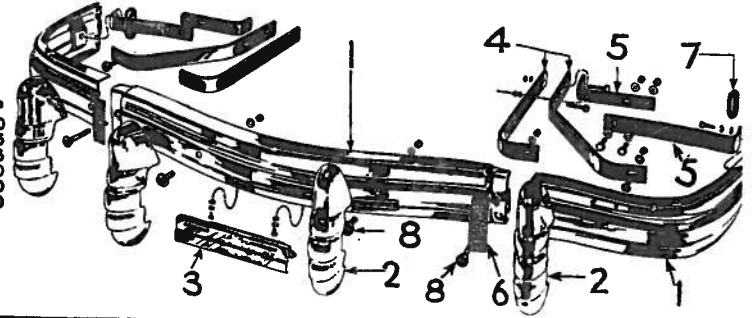


FRAZER 1947 and 1948 FRAME

Models F47, F47C, F485, F486. ALL BODY STYLES

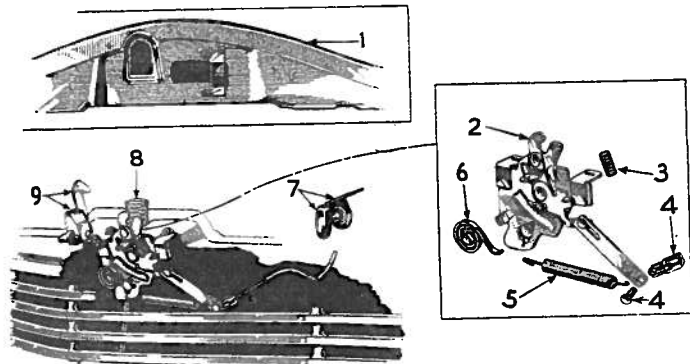
FRONT BUMPER, LEFT SIDE

Item Part No.	Description	Price	Item Part No.	Description	Price
1	201468—Bar, center	17.25	5	201479—Brace, inner90
1	201470—Bar, outer	16.35	5	201480—Brace, outer	1.25
2	201487—Guard	6.15	6	201488—Anti-squeak05
3	201872—Bracket, licen.	3.80	7	201481—Grommet30
4	201476—Support, inner	1.55	8	523—Bolt, inner20
4	201477—Support, outer	1.65	8	427—Bolt, outer10



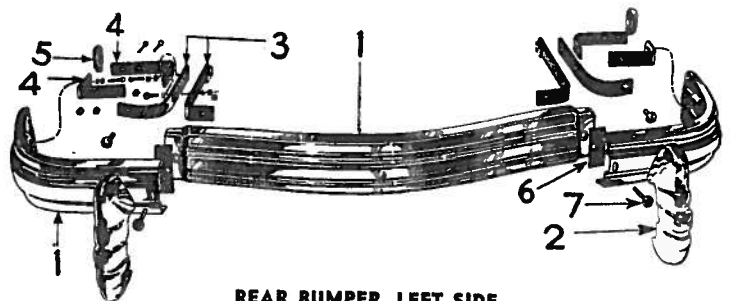
FRONT FENDER AND LIGHT ASSEMBLY

Item Part No.	Description	Price	Item Part No.	Description	Price
1	200608—Fender	35.00	10—Seat body (not ser- viced alone)	
2	202088—Brace50	11	200806—Gasket, H.L.10
2	200611—Brace (early '47, F-47)50	12	200856—Lens, signal light..	1.35
2	200810—Splash shield	13.50	13	200855—Bezel, lens20
2	200982—Dust pan, frt.	1.15	14	200857—Gasket32
2	203567—Dust pan	1.40	16	201381—Bulb	
2	200985—Pan bracket05	16	200851—Light, direct., F47, 485	4.30
6	201522—Headlamp complete ..	9.00	16	202695—Light, direct., F47C, 485, late, 486	5.25
7	200807—Door, headlight	1.60	17	200853—Pad, light30
8	200812—Ring	1.60			
9	200810—Sealed beam unit	1.35			
10	200811—Seat, unit	1.85			



HOOD, LEFT SIDE

Item Part No.	Description	Price	Item Part No.	Description	Price
1	Hood		4	201799—Clevis05
	202030—To F47-5167	39.00	4	201800—Clevis pin03
	200633—F47-5167 to F485-3949 and F486-6961	39.00	5	201798—Spring, tension10
	203304—After F485-3949, F486-6961	39.00	6	201797—Spring, plate15
2	200624—Lock	2.00	7	200637—Control, lock	1.90
8	201795—Spring, latch02	8	202982—Spring, kick-up10
			9	200625—Catch, safety85
				200638—Hood medallion	3.85

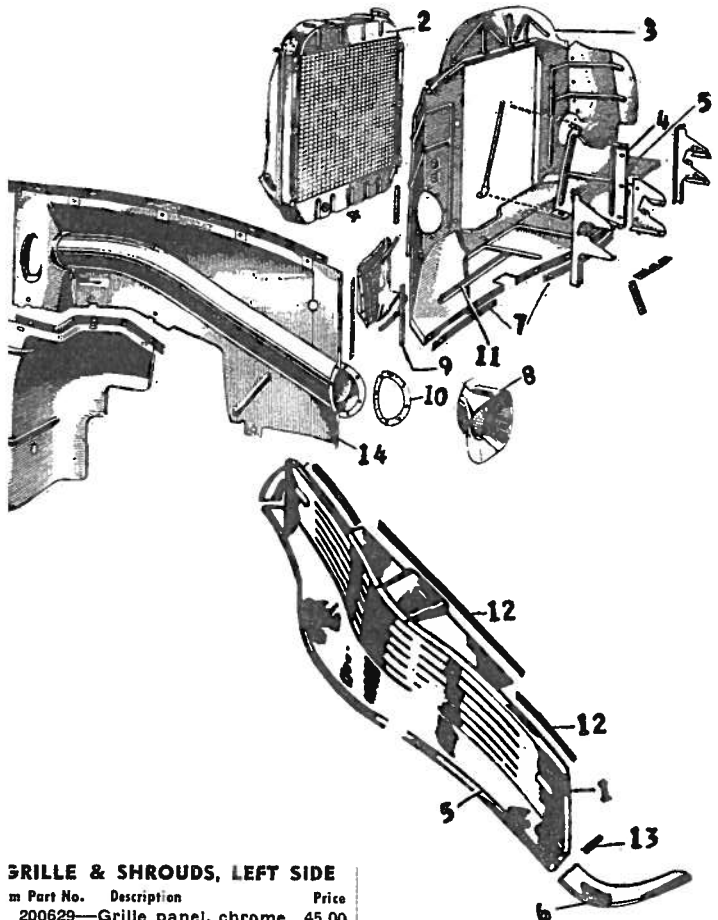


REAR BUMPER, LEFT SIDE

Item Part No.	Description	Price	Item Part No.	Description	Price
1	201468—Bar, center	17.25	4	201486—Brace, inner	1.00
1	201469—Bar, outer	16.35	4	201486—Brace, outer	1.00
2	201487—Guard	6.15	6	201481—Grommet30
3	201482—Support, inner	2.60	6	201488—Anti-squeak05
3	201483—Support, outer	1.40	7	427—Bolt10

BODY PARTS 1947 and 1948 FRAZER

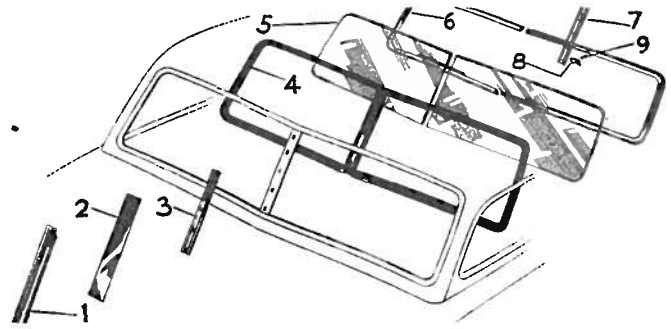
Models F47, F47C, F485, F486. ALL BODY STYLES



GRILLE & SHROUDS, LEFT SIDE

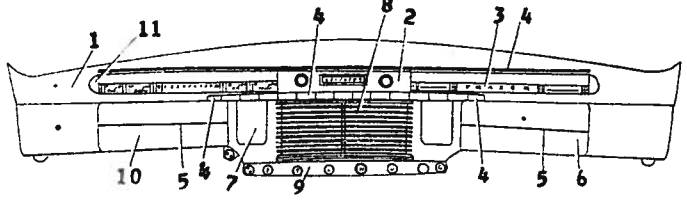
Item Part No.	Description	Price
200629	Grille panel, chrome	45.00
202906	Radiator core	60.00
202905	Shroud, rad.	12.50
201552	Baffle, shroud (early F47, 47C only)	3.25
201551	Shroud, rad., lower (early F47, 47C)	3.75
200631	Grille ext., fender	.95
202389	W/strip, shroud baffle	.40
200613	Air funnel	2.00
201806	Anti-squeak, shroud to fender	.01

Item Part No.	Description	Price
10 202082	Anti-squeak, shroud to air duct	.15
11 201556	Anti-squeak, grille panel to fender	.05
12 201557	Anti-squeak, grille panel to shroud	.01
13 201571	Anti-squeak, grille panel extension	.01
201564	Anti-squeak, lower shroud, wide rad.	.04
14 200610	Splash shield	13.50



WINDSHIELD, LEFT SIDE

Item Part No.	Description	Price	Item Part No.	Description	Price
1 200683	Division bar, outer.	1.10	7 200682	Division bar, in., F47 (prime)	1.90
2 200685	Weatherseal	.25	7 202558	Division bar, in., all (chrome)	2.20
3 200684	Retainer, bar	.70	8 200681	Clip, in., F47 (prime)	.30
4 200649	Weatherstrip, W/S.	5.00	8 202557	Clip, in., all (chrome)	.40
5 200648	Glass, W/S	9 631	Screw	.03
6 200680	Garnish mold., in., F47 (prime)	2.65			
6 202556	Garnish mold., in., all (chrome)	4.75			

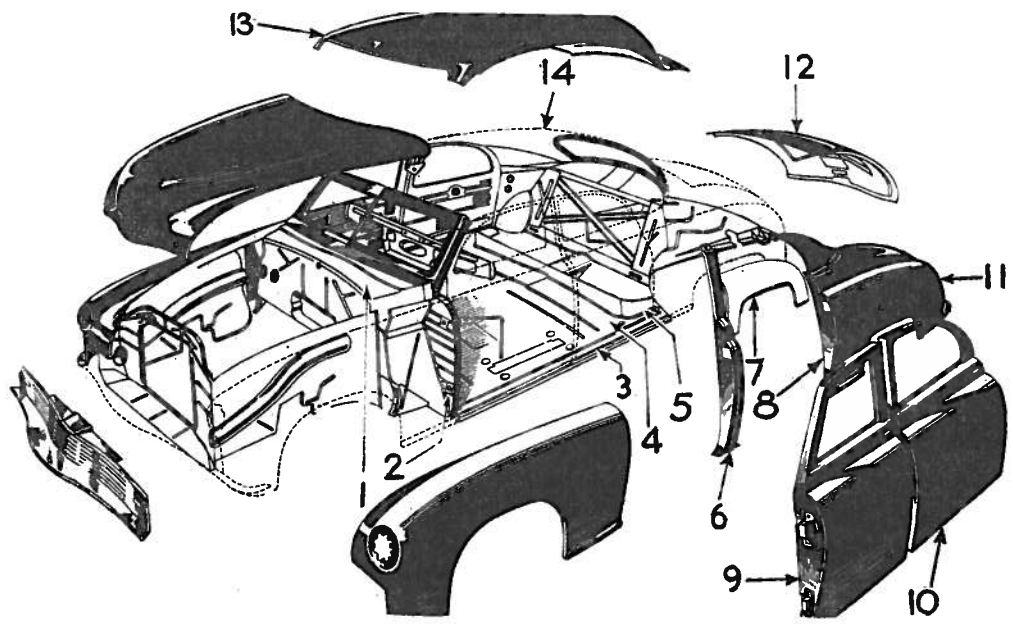


INSTRUMENT PANEL, LEFT SIDE

Item Part No.	Description	Price	Item Part No.	Description	Price
1 Instrument board panel			6 Door, glove compartment		
200515—To F47-27620	32.50	200537—To F47-9024	2.25		
202488—After F47-27620, F485	32.50	202506—After F47-9024, F485	2.25		
202605—To F47C-12174	32.50	202611—F47C, 486	2.25		
202871—After F47C-12174, F486	32.50	7 200701	Ash receiver panel. 1.85		
2 202274	Panel, radio ctrl. 1.95	8 200527	Grille panel, radlo.. 5.80		
3 Name plate panel		9 Panel, control board			
200517—To F47-27620, F47C-12174	10.50	200516	To F47-36877.... .80		
202511—After F47-27620, F47C-12174	10.50	203182	After F47-36877, F485 .80		
202511—F485, 486	10.50	202612	To F47C-32650 ... 2.25		
4 Panel moldings		203183	After F47C-32650 to F486-8769 .225		
202606	Upper, F47C, 486, only .85	203279	After F486-8769 .225		
200525	End .50	10 200538	Dummy panel, F47, 485 2.80		
200523	Left center .90	10 202608	Dummy pan., F47C, 486 2.30		
5 202609	Midg., glove comp.. .25	11 202095	Trim plate, cluster. .70		

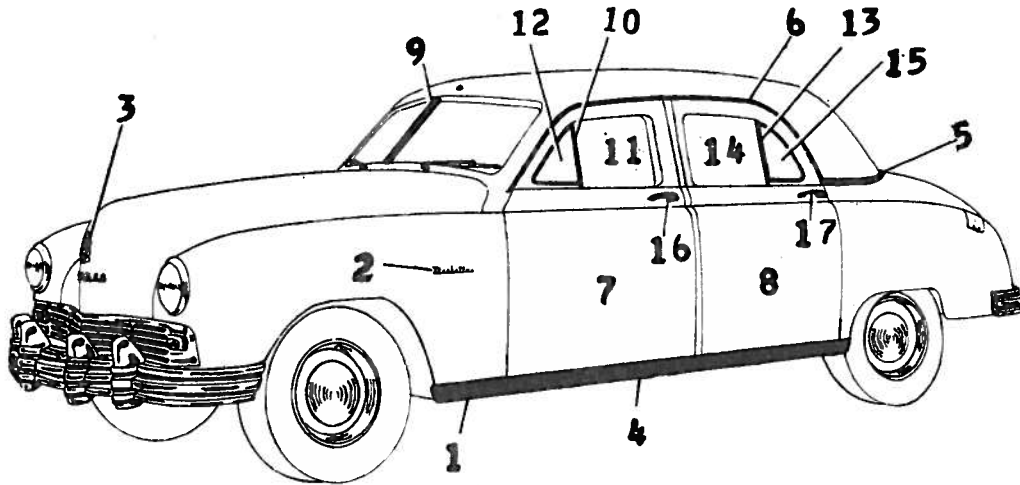
CAR BODY SHEET METAL LEFT SIDE

Item Part No.	Description	Price
4 DOOR SEDANS		
Cowl, body front end, incl. W/S Fr.		
203320	F47, 47C, 485, 486-sngl. man.	80.00
203825	Dual-manifold, F486	80.00
202577	Pillar, frt. hinge	8.65
202333	Rocker panel, F47, 485	3.25
203010	Rocker panel, F47C, 486	3.60
202928	Pan, rear floor	28.50
203128	Riser panel, rr. seat	4.25
200577	Pillar, center hinge.	12.85
200574	Panel, whlhse., rear, out.	8.85
202910	Facing, Rr. lock Pillar	2.25
202522	Door, front	61.00
202526	Door, rear	57.50
200666	Panel, rear quart., outer	21.00
202344	Deck lid, prime	36.50
202343	Deck lid
200582	Roof panel	38.00
Body shell assembly		
202750	Incl. drs. & dk., less 486-dual man.
202754	Incl. drs. & dk., F486, dual man.
202751	Less drs. & dk., less 486-dual man.
202755	Less drs. & dk., F486, dual man.



FRAZER 1947 and 1948 BODY PARTS

Models F47, F47C, F485, F486. ALL BODY STYLES



CAR BODY CHROME & TRIM MOLDINGS, LEFT SIDE 4 DOOR SEDANS

Item Part No.	Description	Price
1	202020—Molding, frnt. fender, F47, 485	1.80
2	202591—Name plate, fndr., F47C, 486	1.00
3	200638—Medallion, hood	3.85
4	202024—Molding, rck. pnl., F47, 485	3.90

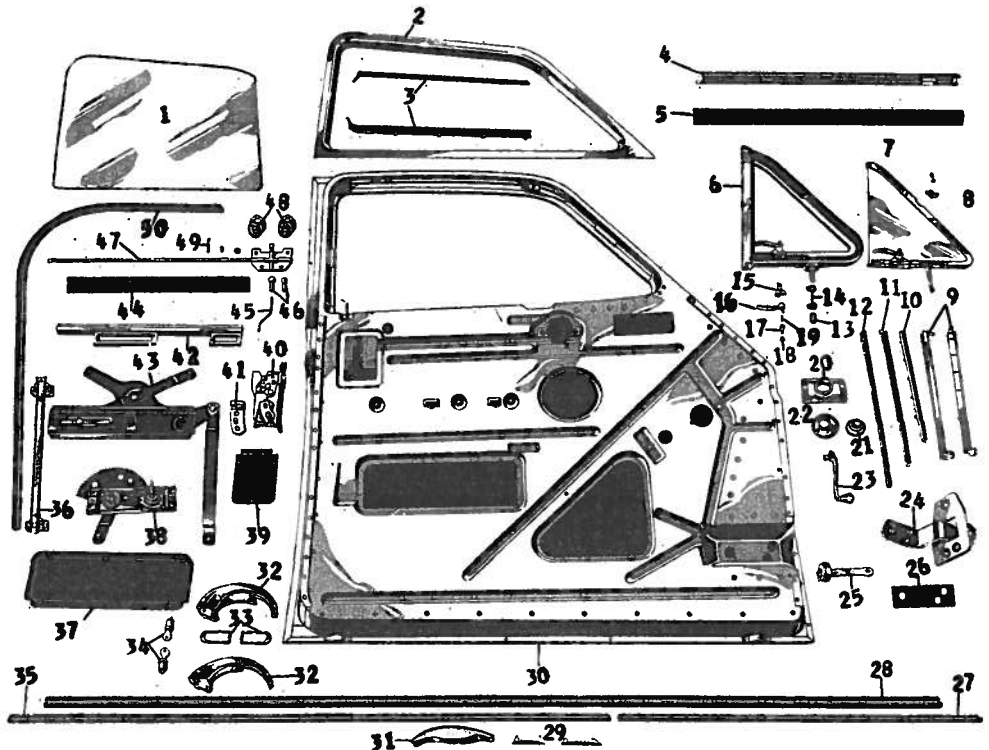
Item Part No.	Description	Price
4	202594—Molding, rck. pnl., F47C, 486	16.50
5	200687—Outer, F47, 47C, 485	1.90
	200688—Center Joint, F47, 47C, 485	.35
	202597—Wide, outer, F47C, 486	2.50
	202598—Wide, center Joint, F47C, 486	.25

Item Part No.	Description	Price
6	202330—Drip molding, prime	1.20
6	202740—Drip molding, chrome, F47C, 486	2.00
7	202522—Front door	61.00
8	202525—Rear door	57.50
9	200683—W/S div. molding	1.10
10	Division bar, frnt. door vent. 200767—To F47-1756	2.00
	203005—After F47-1756, 47C, 485, 486	3.00
11	200642—Glass, frnt. door

Item Part No.	Description	Price
12	200750—Glass, frnt. door vent.
13	Division bar, rear door vent. 200787—To F47-1756	1.50
	203008—After F47-1756, 47C, 485, 486	2.75
14	200645—Glass, rear door
15	200770—Glass, rear door vent.
16	202479—Handle, frnt. dr.	3.95
17	202480—Handle, rear dr.	3.75

FRONT DOOR HARDWARE, LEFT SIDE

Item Part No.	Description	Price
1	200642—Glass
2	200676—Molding, garnish, F47, 485	5.00
2	202602—Molding, garnish, F47C, 486	10.50
3	202918—Weatherstrip, inner	.35
3	202044—Weatherstrip, outer	.45
4	200757—Weatherstrip, vent., fr.	.50
5	200751—Seal, glass	3.60
6	202533—Ventilator, complete	16.00
7	200749—Frame & glass, vent.	5.00
8	203015—Hinge, upper, vent.	.02
9	Division bar, ventilator 200767—To F47-1756	2.00
	203005—After F47-1756, 47C, 485, 486	3.00
10	202285—Weatherstrip, div. bar	.40
11	202283—Channel, glass run, up.	.30
12	202282—Channel, glass run, low.	.35
13	200752—Spring, low, pivot	.10
14	200755—Stop, low, pivot	.05
15	200760—Shaft, vent.	.40
16	200759—Handle, vent.	.55
17	200762—Key, push button	.15
18	200763—Button, push	.15
19	200764—Spring, key	.01
20	200641—Escutcheon, push btn., rem. ctrl.	1.20
21	200658—Spring, reg. handle	.02
22	200657—Escutcheon, reg. hdl.	.50
23	200656—Handle, regul.	1.50
24	200588—Hinge, upper	1.65
24	200590—Hinge, lower	1.65
25	201568—Arm, check	.25
26	202904—Anti-squeak, hinge to dr.	.02
26	202903—Anti-squeak, hinge up.	.02
27	202401—W/Strip, hinge pili. face	.30
28	202395—W/Strip, door upper	.90
29	202402—W/Strip, up. hinge filler	.15
29	202403—W/Strip, low. hinge filler	.15
30	202522—Door	61.00
31	202400—W/Strip, hinge pili. up.	.25



Item Part No.	Description	Price
32	200653—Handle, door (stamped), F47	3.50
32	202478—Handle, door (die cast)	3.95
33	201904—Escutcheon, handle, F47	.20
33	202481—Escutcheon, handle	.50
34	201888—Lock cylinder & keys, F47	1.20
34	201944—Lock cylinder & keys	.95
35	202370—W/Strip, door, low.	.65

Item Part No.	Description	Price
36	200599—Retainer, Rr. glass run chnl.	1.00
37	200586—Regulator	.45
38	202536—Cover, regulator	2.15
38	200585—Cover, lock	.20
40	200666—Lock, door	2.75
41	200579—Plate, striker	1.00
42	200644—Channel, glass re. tain., low.	.60
43	200707—Lifter, glass	1.90
44	202527—Seal, glass	.20
45	202051—Rod, locking	.05

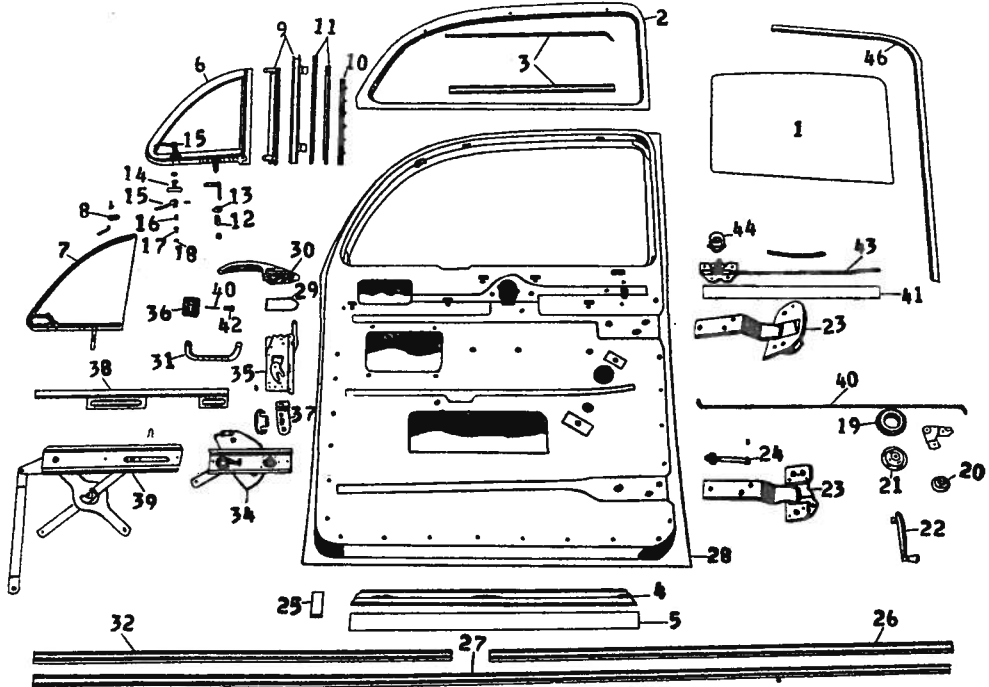
Item Part No.	Description	Price
46	200672—Button, lock. rod (oblong), F47	.15
46	202168—Button, lock. rod (ball), F47, 47C	.15
46	203289—Button, lock. rod (ball), F485, 486	.15
47	202984—Rod, remote ctrl.	1.45
48	202987—Button, remote ctrl. rod	1.10
49	202200—Spring, push button	.93
50	200728—Channel, glass run, rear	1.20

BODY PARTS 1947 and 1948 FRAZER

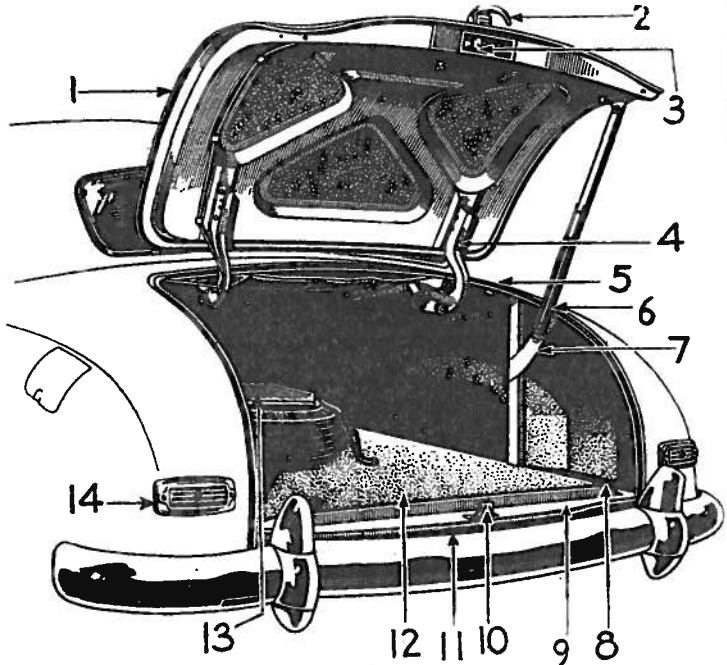
Models F47, F47C, F485, F486. ALL BODY STYLES

REAR DOOR HARDWARE, LEFT SIDE

Item Part No.	Description	Price
1	200645—Glass	5.00
2	200678—Molding, garnish, F47, 485	10.50
2	202604—Molding, garnish, F47C, 486	.35
3	202920—W/Strip, glass, in.	.45
3	202047—W/Strip, glass, out.	1.00
4	200777—W/Strip, vent. frame	.20
5	200771—Seal, vent. glass	15.75
6	202542—Ventilator, complete	8.00
7	200769—Frame & glass, vent.	.10
8	200772—Pivot, vent. upper	1.50
9	Bar, Division 200787—To F47-1756	2.75
	203008—After F47-1756, 47C, 485, 486	
0	202287—W/Strip, division bar	.40
1	202283—Channel, glass run upper rear	.30
2	202282—Channel, glass run, lower rear	.35
3	200752—Spring, lower pivot	.10
4	200775—Stop, lower pivot	.10
5	200760—Shaft, vent. window	.40
6	200769—Handle, vent. wind.	.55
7	200762—Key, push button	.15
8	200763—Button, push	.15
9	200764—Spring, key	.01
10	200641—Escutcheon, push button	1.20
11	200658—Spring, reg. handle	.02
12	200657—Escutcheon, reg. handle	.50
13	200656—Handle, regulator	1.50
14	200595—Hinge, upper	1.65
15	200597—Hinge, lower	1.65
16	201568—Arm, check	.25
17	202904—Anti-squeak, hinge	.02
18	202410—W/Strip, hinge pli. face	.40
19	202405—W/Strip, door, up.	.80
20	202525—Door	57.50
21	200645—Handle, door, stamped, F47	
22	202480—Handle, door	3.75



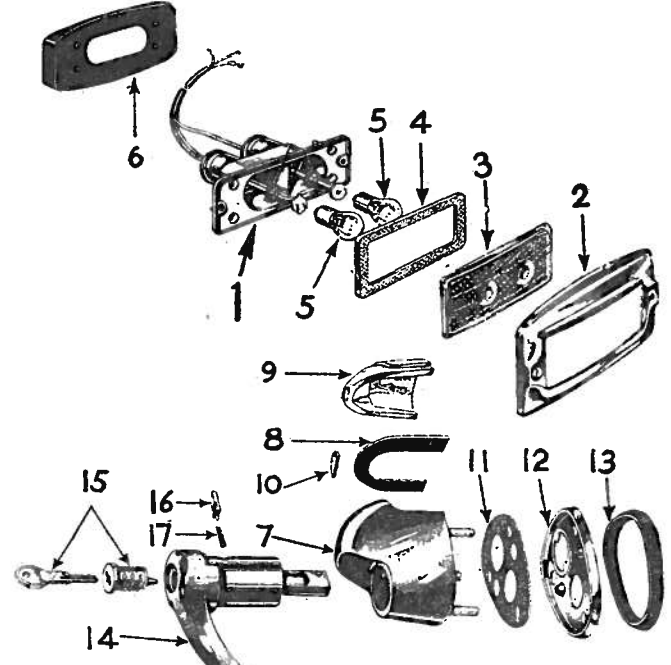
Item Part No.	Description	Price	Item Part No.	Description	Price	Item Part No.	Description	Price
31	201904—Escutcheon (hndl. stamped), F47	.20	35	200668—Lock, door	2.75	41	203289—Button, locking rod, F485, 486	.15
31	202481—Escutcheon (hndl. die cast)	.50	36	200579—Plate, striker	1.00	42	202985—Rod, remote control	1.45
32	202406—W/Strip, door, low.	.90	37	200647—Channel, glass, low.	.60	43	202987—Button, rem. ctrl., push	1.10
34	200586—Cover, regulator	.45	38	200707—Lifter, glass	1.90	44	202200—Spring, push button	.03
34	202544—Regulator, window	2.15	39	202536—Seal, window glass	.20	45	200730—Channel, glass run.	1.20
			40	200580—Rod, locking	.15			
			41	202168—Button, locking rod.	.15			



REAR DECK LID

Item Part No.	Description	Price
1	202344—Lid, deck (prime)	36.50
2	202351—Handle & license light	9.95
3	202341—Latch, lid locking	.90
4	202303—Hinge, deck lid	3.35
5	202056—W/Strip, upper drain trough	3.00
6	202054—Prop, deck lid, F47	1.50
7	202055—Bracket, prop, low., F47	.20
8	200575—W/Strip, tool compartment	.25
9	202912—Panel, low. deck	2.25

Item Part No.	Description	Price
10	202339—Plate, latch striker	.35
11	202057—W/Strip, lower drain trough	1.60
12	202453—Mat, rr. compartment, F47, 485	3.25
12	202654—Carpet, rr. compartment, F47C, 486	8.75
13	203117—Shelf, rear luggage	4.15
14	Light, tail, stop & directional 200834—F47, to F485-1838	5.25
	202694—After F485-1838, 47C, 486	5.95

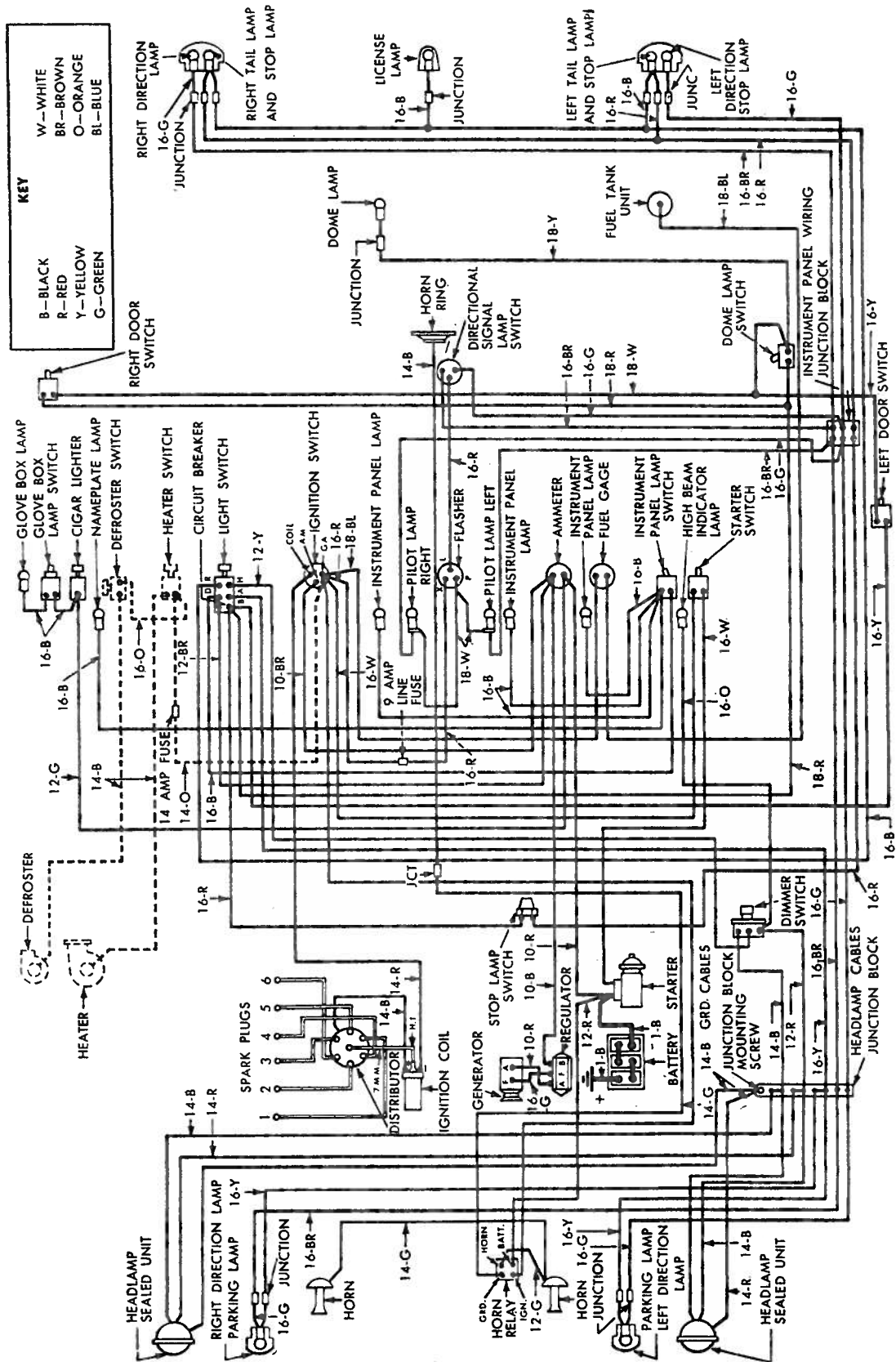


REAR & TAIL LAMPS, LEFT SIDE

Item Part No.	Description	Price	Item Part No.	Description	Price
1	Tail, stop & directional light assy. 200834—F47, 485 to F485-1838	5.25	7	202352—Body, lic. lamp (dk. handle)	4.05
	202694—After, F485-1838, F47C, 485, 486	5.95	8	202354—Gasket, lens	.10
2	200855—Bezel	1.35	9	202353—Lens	.40
3	200842—Lens	.75	10	202863—Gasket, bumper	.05
4	200857—Gasket	.20	11	202357—Gasket, escutcheon	.15
5	201361—Bulb, tail & stop	.32	12	202356—Escutcheon	.75
6	201360—Bulb, direct	.25	13	202358—Gasket, to deck	.15
			14	202360—Handle, into body	4.35
			15	202365—Cylinder & key	.95
			16	202361—Paul, handle	.28
			17	202362—Spring, handle	.08

FRAZER 1947 and 1948 WIRING

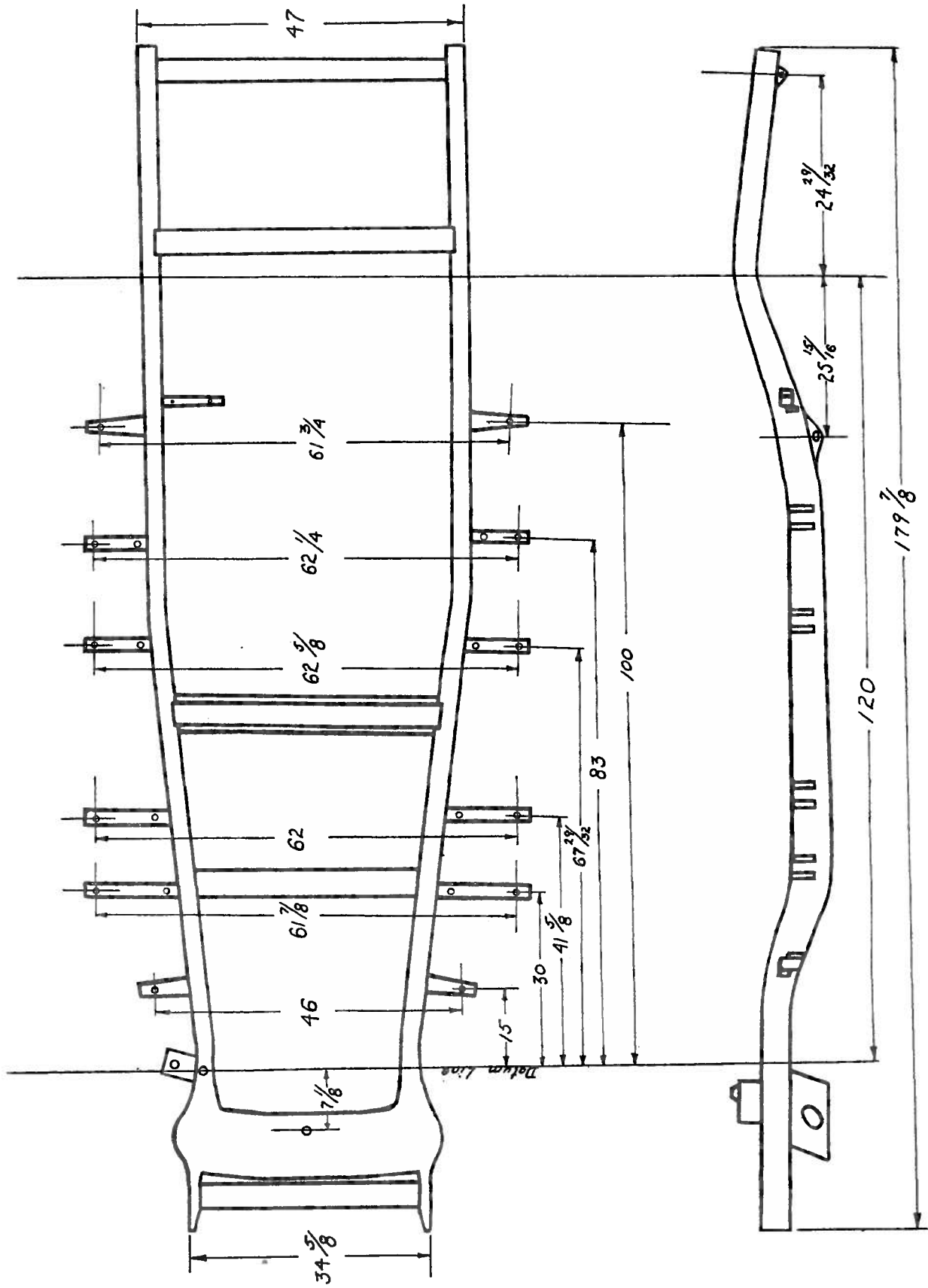
Models F47, F47C, F485, F486. ALL BODY STYLES



The above diagram is for Frazer & Frazer Manhattan cars before Serial number F485-1898

FRAZER 1947 and 1948 FRAME

Models F47, F47C, F485, F486. ALL BODY STYLES



1947-1948 Frazer Frame

