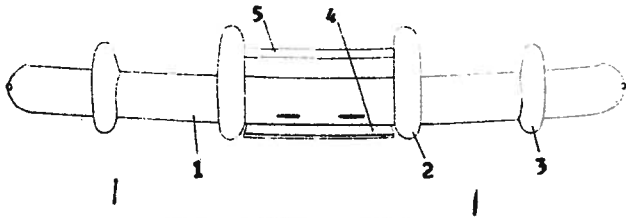


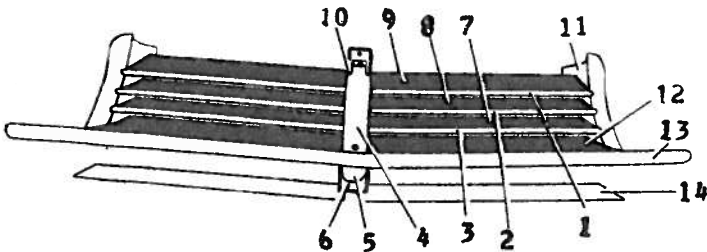
HUDSON 1948 and 1949 BODY PARTS

Commodore Six and Eight Series 482-484; 492-494. ALL BODY STYLES



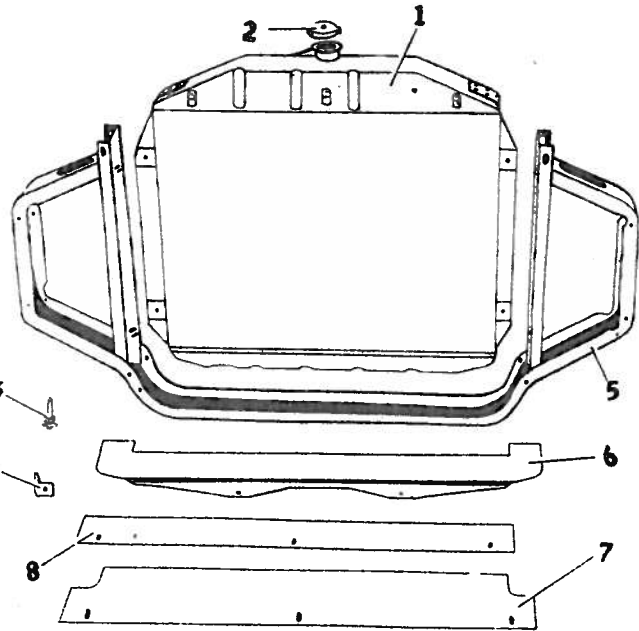
FRONT BUMPER ASSEMBLY

Item Part No.	Description	Price	Item Part No.	Description	Price
1	C-213512—Face bar	30.00	4	BZ-213528—License guard, lower	3.50
	BZ-213519—Spacer, face bar	.10	5	BZ-213529—License guard, upper	3.50
2	BZ-213531—Guard Assy., L., Inner	10.75		BZ-213525—Spacer, lic. guard	.10
3	BZ-213537—Guard Assy., L., outer	8.00			



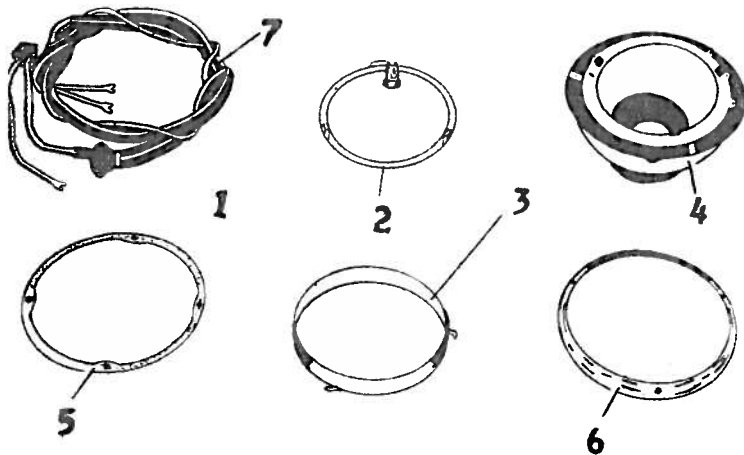
GRILLE ASSEMBLY

Item Part No.	Description	Price	Item Part No.	Description	Price
1	C-211563—Mold., upper	.75	8	A-212274—Grille baffle, L., center	1.15
2	C-211560—Mold., center	.75	9	A-212275—Grille baffle, L., lower	1.20
3	C-211561—Mold., lower	.75	10	BO-212497—Center sup. baffle	.75
4	BO-212498—Mold., center bar, up.	2.50	11	A-212489—Side sup., L. baffle	3.00
5	BZ-212499—Mold., center bar, lower	.75	12	A-210170—Splash gd., up.	
6	BZ-212925—Support, center bar, lower	1.00	13	C-213098—Mold., splash gd.	
7	A-212273—Grille baffle, L., upper	1.15	14	A-210565—Splash gd., low. L.	



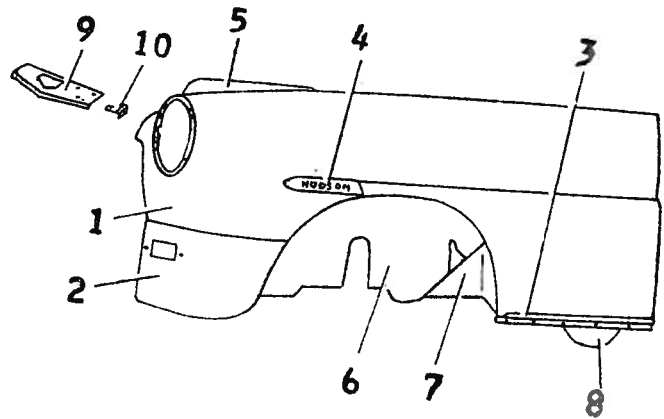
RADIATOR ASSEMBLY

Item Part No.	Description	Price	Item Part No.	Description	Price
1	C-300480—Core Assy.	95.00	7	C-301624—Air deflector, attaches #1 C. M.	.45
2	BM-18118—Drain cock	.45	8	C-301639—Air deflector	.35
3	F-152554—Filler cap	.40		BZ-210548—Pad, air deflector	.05
4	BZ-300527—Brkt., L., mounting	.25		BZ-210549—Shim, air deflector	.10
5	C-210535—Mount, channel	5.10			
6	A-210376—Air deflector, upper	.75			



HEADLAMP ASSEMBLY

Item Part No.	Description	Price	Item Part No.	Description	Price
1	BO-212880—Headlamp Assy.	15.00	6	BO-212880—Rim, lens	2.95
2	SP-141950—Sealed beam unit	1.30	7	BO-212882—Wires & connector Assy.	2.30
3	BO-208263—Retainer, sealed beam	2.15		BO-200263—Connector Assy.	.35
4	BO-212881—Housing, lamp	3.90		BO-31549—Insulator, lamp term.	.65
5	BO-142072—Gasket, housing to fender	.25			

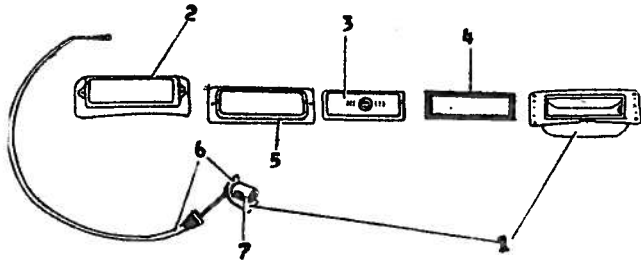


FRONT FENDER ASSEMBLY

Item Part No.	Description	Price	Item Part No.	Description	Price
1	A-212001—Fender Assy., L.	42.75		BZ-211877—Seal Assy., L. spindle arm	3.50
2	A-211483—Front exten., L.	4.75		A-210503—Reinfmt. shd., L.	2.85
	BO-128301—Bumper, F.			A-213229—Exten. shield, L.	4.00
		.17		BZ-213212—Steering seal, shd. exten.	.05
	BO-170066—Bolt, brkt. to pillar, upper	.06		BZ-213213—Frame seal, shd. exten.	.05
	BZ-71264—Bolt, brkt. to pillar, lower	.05		BZ-213211—Support, L. stone guard	2.85
	BZ-147065—Bumper, hood. P.O.A.			A-210481—Tie panel, hood lock sup.	5.60
3	BO-211378—Mold. panel, lower	.60	8	C-211105—Stone guard, L.	
	BO-211880—Retainer, mold.	.11		BZ-210483—Brkt., tie panel, L.	.40
4	BZ-210623—Name plate, L.	2.50	10	BZ-210385—Reinfmt., L. cor.	.55
5	BO-210816—Ornament	2.75			
6	A-211659—Shield, L. side	12.75			
	BZ-210352—Sealing strip shd., upper	.15			
	BZ-210353—Sealing strip shd., lower	.15			

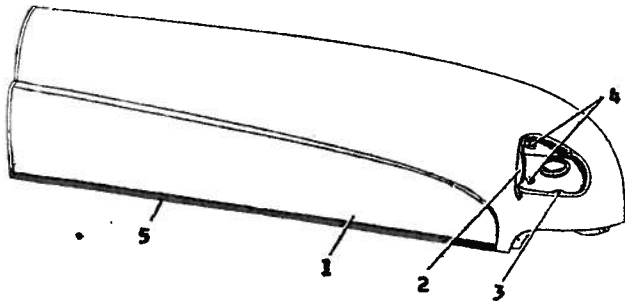
BODY PARTS 1948 and 1949 HUDSON

Commodore Six and Eight Series 482-484; 492-494. ALL BODY STYLES



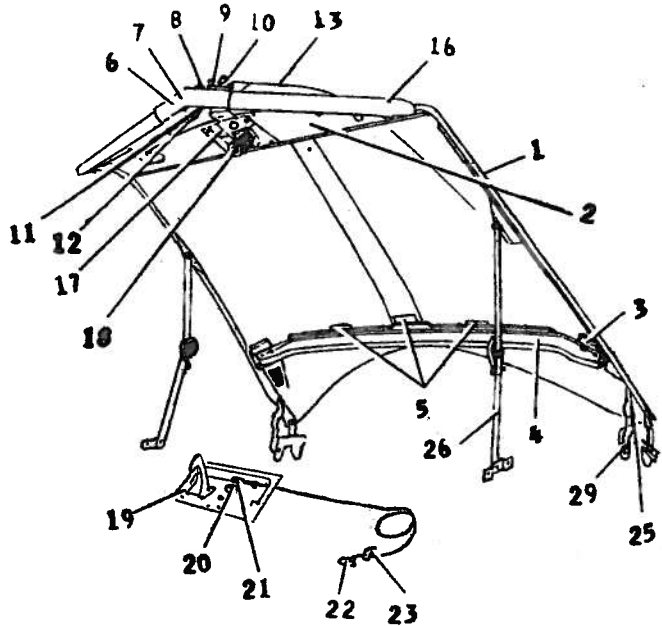
PARKING LAMP ASSEMBLY

Item Part No.	Description	Price	Item Part No.	Description	Price
1	BO-213410—Lamp assy. without DI.	5.50	6	BO-213419—Socket, brkt. & wire, without DI.	1.60
1	BO-213412—Lamp assy. with DI.	6.50	6	BO-213420—Socket, brkt. & wire with DI.	2.25
2	BO-213418—Door, lamp	1.85	7	BO-213562—Socket & brkt. without DI.	.85
3	BO-213415—Lens	.50	7	BO-213563—Socket & brkt. with DI.	.50
4	BO-213417—Gasket, lens	.35			
5	BO-213416—Retainer, lens	.35			



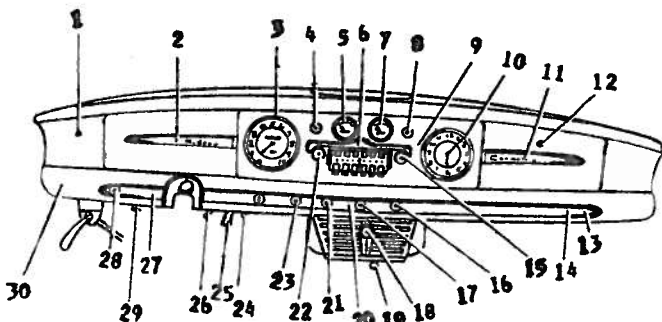
REAR FENDER ASSEMBLY

Item Part No.	Description	Price	Item Part No.	Description	Price
1	A-212021—Fender assy., L., 4D	26.00	C-212289	—Retainer, lower mould, 2nd type ex. sdn.	.60
1	A-212027—Fender assy., L., cpea. & cv. bro.	27.50	C-212289	—Retainer, lower mould, sdn.	.30
BZ-211297	—Plate, fender to qt. pan. bolt	.05	C-211255	—Cover & rod, L. wheel	5.50
2	BZ-212535—Filler door, L., gas	2.25	BZ-211373	—Wthseal, up. wheel cover	.15
3	BO-212546—Bumper, filler door	.05	BZ-211374	—Wthseal, end wheel cover	.05
4	BO-217347—Spring, gas filler door, lower	.10	BZ-211248	—Wthseal, rear cover to frame	.10
5	C-211380—Mould., pan., low., sdn.	1.25	C-213484	—Mould., upper wheel cover	1.80
5	C-211381—Mould., pan., low., cpea. & cv. bro.	1.75	C-213480	—Mould., lower wheel cover	1.00
BO-211860	—Retainer, lower mould., 1st type ex. sdn.	.10			



HOOD ASSEMBLY

Item Part No.	Description	Price	Item Part No.	Description	Price
1	A-210630—Hood assy.	57.25	16	C-211799—Louver, L.	3.45
2	A-210366—Reinfmt. panel, front	4.20	17	BO-211166—Lock assy., up. half	1.76
3	A-210365—Reinfmt. panel, rear, L.	2.95	18	BO-211185—Stiffener, lock, upper mount. plate	.20
4	A-211821—Brace, R. reinfmt.	4.25	19	BO-211167—Lock assy., lower half	4.00
5	BO-211888—Silencer, brace	.05	20	BO-210372—Lever & aux. lever	.85
6	BO-211513—Ornament, hood front	13.50	21	BO-211162—Control assy., lock	1.75
7	BO-211512—Housing, orna.	8.00	22	BO-211163—Wire & knob, lock control	.75
8	BZ-208737—Reflector, orna.	.75	23	BO-211243—Brkt., lock control	.25
9	BO-211514—Lens, ornament	3.45	25	BO-70839—Spacer, hinge	.81
10	BO-208789—Gasket, lens	.60	26	BO-212680—Prop. assy.	2.00
11	BO-301086—Socket & wire, ornament	.70	29	BO-211825—Hood hinge assy., L.	3.50
12	BO-153675—Socket, orna. light	.17			
14	BO-210648—Hood crest assy.	4.75			
15	BO-210841—Ornament, hood crest	1.80			

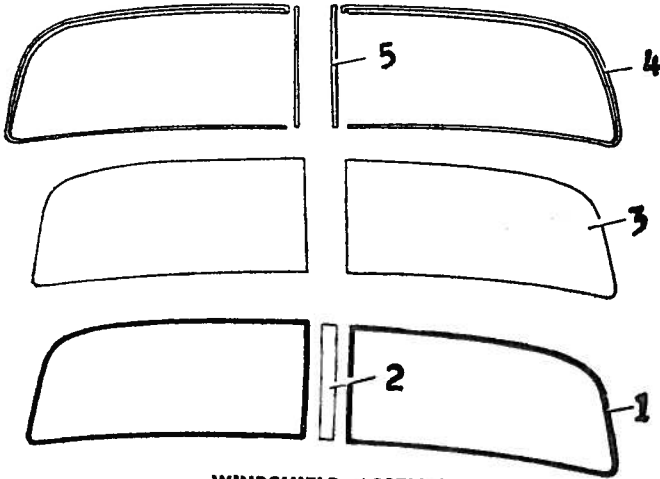


INSTRUMENT PANEL

Item Part No.	Description	Price	Item Part No.	Description	Price
1	BO-158148—Jewel dial, tell tale	.25	17	BO-211217—Element & knob assy.	1.80
2	BO-213598—Orna., R.H.	2.00	18	BO-164241—Switch assy.	1.65
3	BO-211430—Speedometer assy.	12.50	19	BO-164601—Knob, control arm	.17
4	BO-215560—Jeweled lens, oil indic.	.20	20	BO-213627—Ornament, center panel, without HDM or VD	2.25
5	F-213207—Gauge, gas	1.95	20	BO-213797—Ornament, center panel, with HDM or VD	2.25
6	BO-213590—Orna. fin. pan., 482	1.90	21	BO-300641—Light sw. & circuit breaker	2.85
6	BO-213591—Orna. fin. pan., 484	1.90	22	BO-300766—Volume control	.50
7	F-213208—Gauge, water temp.	1.95	23	BT-301176—HDM panel sw.	1.50
8	BO-215560—Jeweled lens, temp. indic.	.20	24	BO-160092—Rheostat, panel lights	1.00
9	A-211775—Inst. finish panel assy.	8.00	25	BO-210448—Handle assy., cowl vent.	.60
10	BO-211440—Clock assy., electric	P.O.A.	26	C-301782—Control wire & casing assy.	2.50
11	BO-213599—Ornament, L.H.	2.00	27	BO-213621—Ornament, sw. panel, L.H.	.95
12	BO-211471—Lock, cyl. & keys, glove door	1.50	28	BO-300646—Starter sw. & brkt. assy.	1.65
13	BO-213624—Orna., sw. panel, R.H.	2.50	29	BO-211163—Wire & knob assy. hood lock	.75
14	A-213608—Inst. sw. panel, R.H.	9.50	30	A-213609—Switch mount. panel, L.H.	3.60
15	BO-300766—Knob, control tuning	.50			
16	BO-300766—Knob, control	.50			

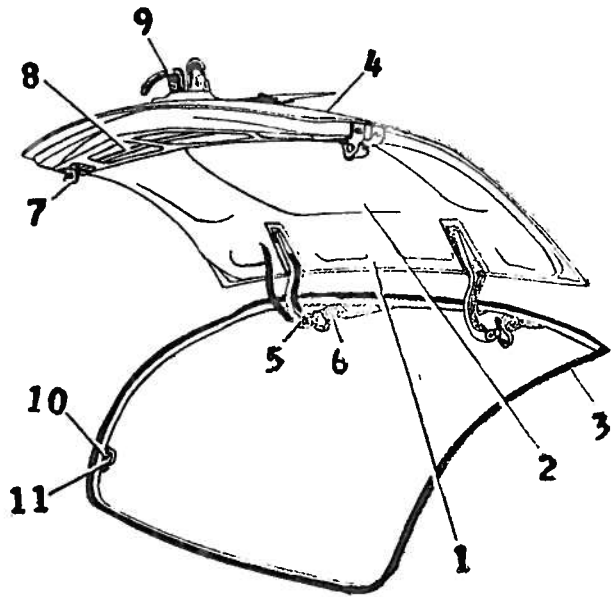
HUDSON 1948 and 1949 BODY PARTS

Commodore Six and Eight Series 482-484; 492-494. ALL BODY STYLES



WINDSHIELD ASSEMBLY

Item Part No.	Description	Price	Item Part No.	Description	Price
1	BO-210511—Wthstp., L.	4.40	4	BO-210985—Mould., L., reveal	2.25
2	BO-210780—Center bar, out.	.20	5	BO-210987—Mould., L., center	.75
3	BO-210984—Retainer, lower glass	.05			
3	210513—Glass, L.	P.O.A.			

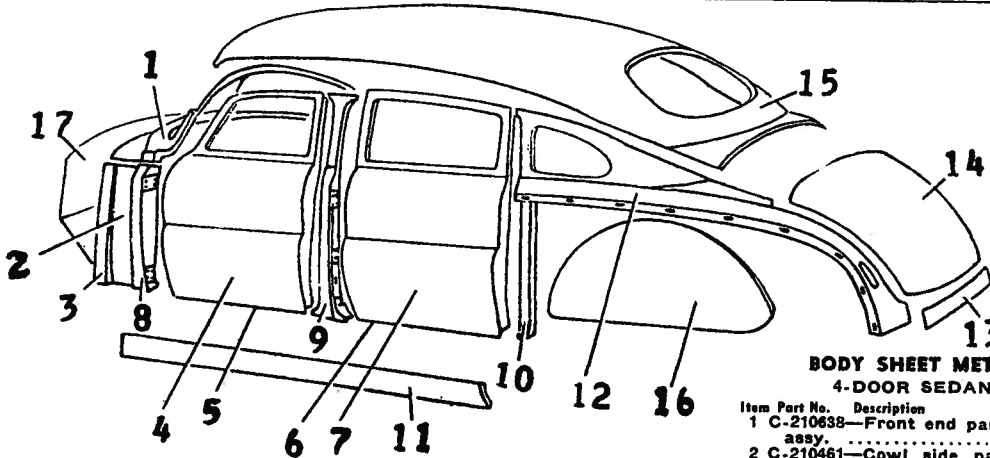
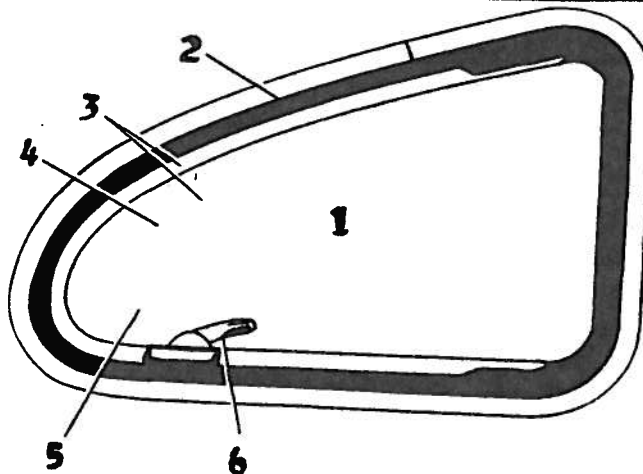


DECK LIDS

Item Part No.	Description	Price
1	C-210119—Deck lid, sdn.	23.50
1	C-211245—Deck lid, ex. sdn.	32.00
2	C-214120—Silencer, lid, ex. sdn.	.40
2	C-210820—Silencer, Lid, sdn.	.30
3	BO-210334—Wthseal., lid, sdn.	4.25
3	BO-210335—Wthseal., lid, ex. sdn.	5.00
4	BO-210485—Name plate, lid	5.00
5	BO-214268—Hinge assy., 1st type sdn.	3.50
5	BO-214269—Hinge assy., 1st type ex. sdn.	4.25
	BO-210814—Cover assy. hinge	.50
6	BO-212157—Spring, hinge, sdn.	.45
6	BO-212163—Spring, hinge, ex. sdn.	.90
	BO-213096—Reinfmt., hinge brkt., ex. sdn.	.20
	BO-214268—Hinge & cover, 2nd type sdn.	3.50
	BO-214269—Hinge & cover, 2nd type ex. sdn.	4.25
7	BO-210813—Clamping lever & brkt., door latch	.45
8	BO-210810—Link, door latch	.85
9	BO-210116—Lever, door latch oper.	.10
	BO-210125—Tapping plate, lever brkt.	.15
10	BO-210118—Striker, door	.20
11	BO-210302—Brkt., striker	.10
	C-214218—Trim panel, R. seat, sdn.	1.60
	C-213077—Trim panel, R. seat, club cpe.	1.50
	C-214861—Trim board, R. seat, back cv.	P.O.A.

REAR QUARTER WINDOW 4 DOOR SEDAN

Item Part No.	Description	Price
1	BO-212429—Retainer, wthstp., L., comp.	17.50
	BO-212441—Wthstp., L., retainer	3.25
	BO-212234—Locking plate	.15
	BO-212080—Brkt., retainer	.05
2	BO-212445—Wthstp., L.	2.85
	BO-212469—Pivot stop, lower	.06
	BO-212464—Retainer, upper pivot	.05
3	BO-212433—Frame & glass assy., L.	10.80
4	210872—Glass, L.	P.O.A.
5	BO-212435—Frame assy., L.	7.00
	BO-212839—Pivot, lower L.	.40
	BO-212465—Socket, pivot	.10
6	BO-212329—Lock handle & brkt., L.	1.75



BODY SHEET METAL 4-DOOR SEDAN

Item Part No.	Description	Price
1	C-210638—Front end panel assy.	34.60
2	C-210461—Cowl side panel, L.	3.55
3	BO-210467—Brace, L., cowl side	2.25
4	C-212553—Door assy., L. front	43.75
5	C-211741—Door panel, L. outer front	19.50

Item Part No.	Description	Price
6	C-212553—Rear door assy.	41.75
7	C-211739—Rear door panel, L., outer	17.00
8	C-210299—Pillar, L. front.	7.00
9	C-211749—Pillar, L. center.	10.35
10	C-210247—Pillar, L. rear	5.75
11	A-211347—Rocker panel, L. A-211147—Exten., L. rocker panel, front	1.25
	A-211149—Exten., L. rocker panel, rear	1.25
12	C-210211—Qt. panel, L., outer	7.50
13	C-210290—Rear trunk panel, lower	2.50
14	C-210119—Deck lid	23.50
15	C-210070—Roof panel	60.00
16	C-210110—Whilhouse. panel, L. in.	7.65
16	C-210113—Whilhouse. panel, L. out.
17	C-211726—Dash panel assy.

BODY PARTS 1948 and 1949 HUDSON

Commodore Six and Eight Series 482-484; 492-494. ALL BODY STYLES

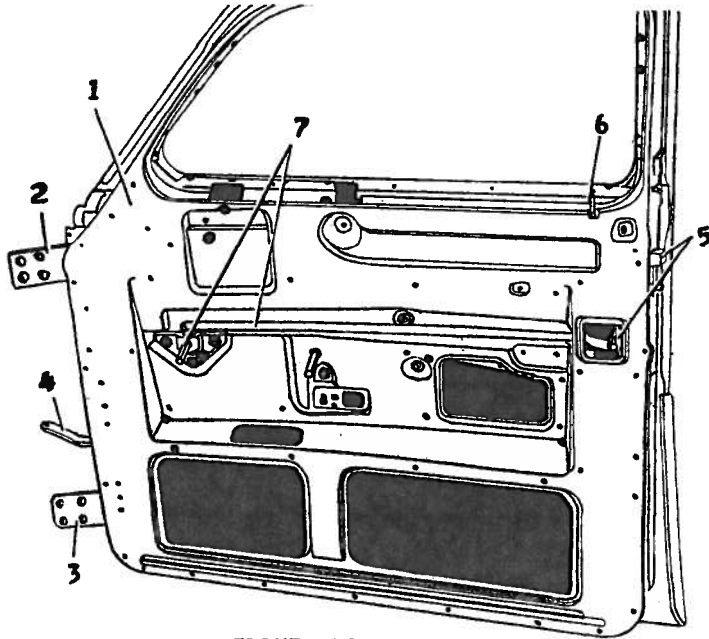
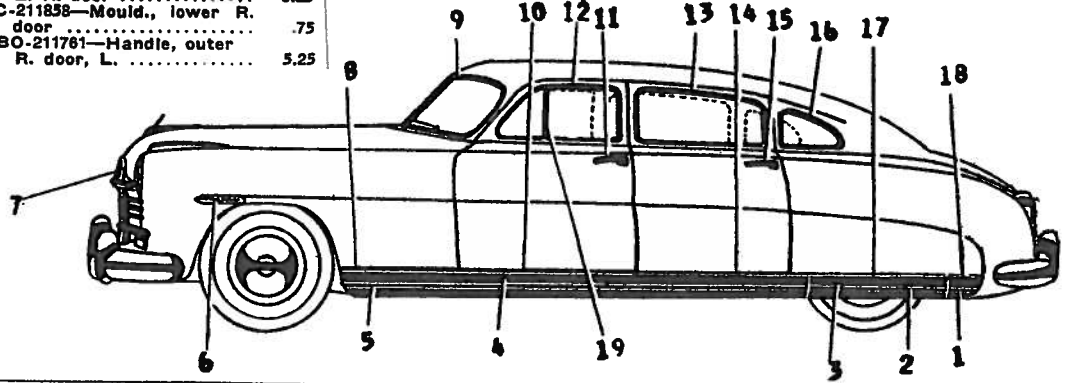
OUTSIDE MOUNDINGS

4-DOOR SEDAN

Item Part No.	Description	Price
1	BO-213481—Mould., lower R. rocker pan	.50
2	C-213480—Mould., lower wheel cover	1.00
3	C-213484—Mould., upper wheel cover	1.80
4	C-213479—Mould., L. rocker panel, upper	5.00
5	C-213653—Mould., L., lower rocker	2.40
6	BZ-210623—Name plate, L.	2.50
7	BO-211313—Orna., hood front	13.50
8	BO-211376—Mould., lower F. fender	.60
9	C-210985—Mould., L., reveal window, reveal	2.25
10	BO-210987—Mould., L. center, reveal	.75
11	C-211854—Mould., lower F. door	1.00
12	BO-211793—Handle, outer, F. door	5.25
13	C-213134—Mould. & wthstp., L. F. door	3.10

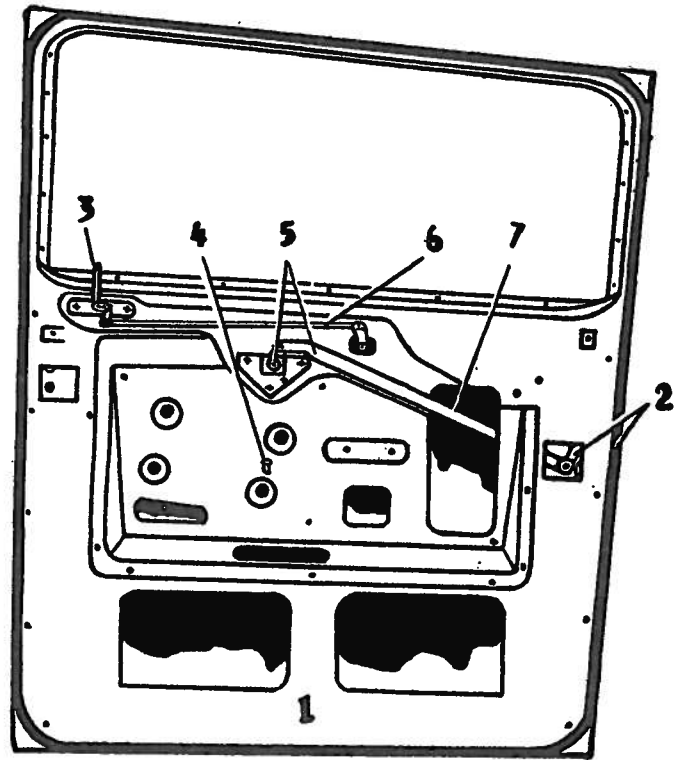
Item Part No.	Description	Price
13	C-213183—Mould. & wthstp., L. R. door	3.25
14	C-211838—Mould., lower R. door	.75
15	BO-211761—Handle, outer R. door, L.	5.25

Item Part No.	Description	Price	Item Part No.	Description	Price
16	C-210913—Mould., L. qt. window, reveal	1.75	18	BO-213487—Mould., L., up. R. rocker panel	.85
17	C-211380—Mould., R. fender panel	1.25	19	BO-212185—Center bar & wthstp., L.	2.25



FRONT DOOR ASSEMBLY

Item Part No.	Description	Price	Item Part No.	Description	Price
1	C-212553—Door assy., L., sdn.	43.75	BO-211977—Tapping plate, L., striker	.35	
1	C-212573—Door assy., L., club cpe.	48.50	BO-211972—Retainer, striker, sdn.	.15	
2	BO-211951—Hinge, L., up. body half, sdn.	1.65	BO-211974—Retainer, striker, club cpe.	.15	
2	BO-212426—Hinge, L., up. door half, sdn.	1.15	BO-210858—Safety lock	2.20	
2	BO-212425—Hinge, L., up. body half, club cpe.	1.70	BO-211926—Retainer, safety lock	.05	
2	BO-212428—Hinge, L., up. door half, club cpe.	1.15	7 BO-211931—Remote control, L., sdn.	1.50	
3	BO-211981—Hinge assy., L., lower body half	1.65	7 BO-211933—Remote control, L., cpe.	1.50	
3	BO-211962—Hinge, L., lower door half	1.65	BO-211984—Sleeve, remote control, cpe.	.15	
BO-211997—Tapping plate hinge, up. door half	.50	BO-211985—Sleeve, remote control, sdn.	.15		
BO-210240—Tapping plate, hinge, up. pillar	.50	BO-214564—Wthstp., door, upper, sdn.	1.20		
BO-210234—Tapping plate, hinge, lower pillar	.35	BO-214565—Wthstp., door, upper, cpe.	.85		
BO-210274—Tapping plate, hinge, center pillar, sdn.	.40	BO-213737—Wthstp., L. door belt	.85		
4 BO-210752—Check arm assy.	.50	C-213713—Wthstp., door bottom, cpe.	.95		
BO-210754—Guide, check arm	.30	C-213711—Wthstp., door bottom, sdn.	.95		
BO-211096—Brkt., check arm	.20	BO-213742—Wthstp., L. door front	1.00		
5 BO-212241—Lock assy., L.	1.50	C-216167—Wthstp., L. door pan., bottom, cpe.	3.25		
6 BO-211985—Knob, lock	.20	C-216168—Wthstp., L. door pan., bottom, sdn.	2.85		
BO-211789—Striker, L., lock	.55				



REAR DOOR ASSEMBLY

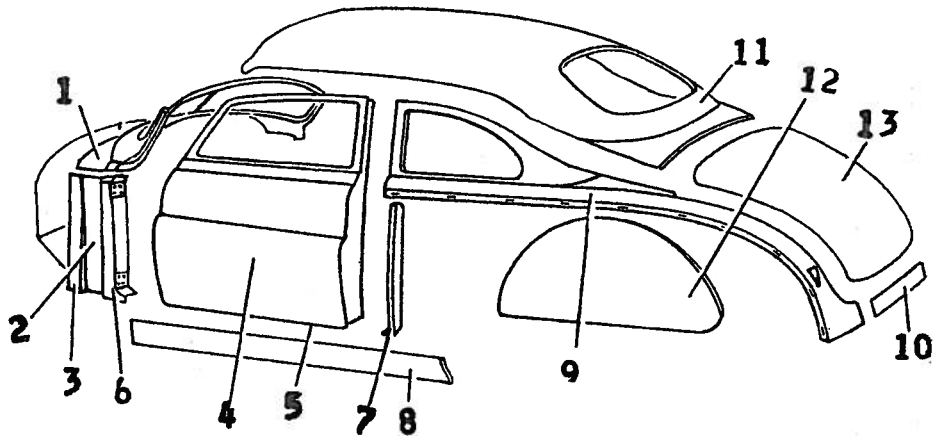
Item Part No.	Description	Price	Item Part No.	Description	Price
1	C-212563—Door assy., L.	41.75	3	BO-211995—Knob, lock release	.20
BO-211981—Hinge, upper, door half	1.65	BO-211789—Striker, L., lock	.35		
BO-211991—Hinge, lower, door half	1.50	BO-211977—Tapping plate, L., striker	.35		
BO-211980—Hinge assy., up. body half	1.65	4 BO-211851—Reg. assy., L.			
BO-211990—Hinge assy., lower body half	1.50	5 BO-211943—Remote control, L.	1.26		
BO-211999—Tapping plate, hinge, lower door	.30	6 BO-211985—Link assy., L., lock	1.00		
BO-210753—Check arm assy.	.50	7 BO-211985—Sleeve assy., R.C.	.15		
BO-210754—Guide, check arm	.30	BO-213755—Wthstp., L.	1.25		
BO-211096—Brkt., check arm pivot, pillar	.20	BO-213743—Wthstp., door front	1.35		
2 BO-212339—Lock assy., L.	4.75	C-216171—Wthstp., door panel, bottom	2.35		
		BO-211761—Handle, outer, L.	3.25		

HUDSON 1948 and 1949 BODY PARTS

Commodore Six and Eight Series 482-484; 492-494. ALL BODY STYLES

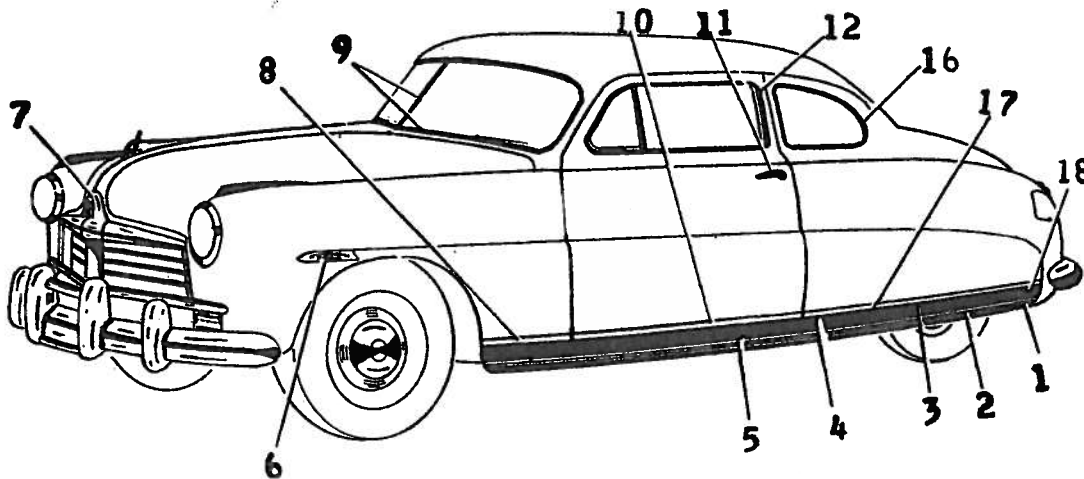
BODY SHEET METAL CLUB COUPE

Item Part No.	Description	Price
1	C-210638—Front end panel assy.	34.60
2	C-210461—Cowl, side panel, L.	3.55
3	BO-210467—Brace, L. cowl side	2.25
4	C-212573—Door assy., L.	48.50
5	C-211743—Door panel, L., outer	21.00
6	C-210299—Pillar, L. front.	7.00
7	C-210249—Pillar, L. rear	5.75
8	A-211837—Rocker panel, L.	8.30
	A-211143—Exten., L. rocker panel	1.50
9	C-210221—Qt. panel, L., outer	10.00
10	C-210290—Trunk panel, lower	2.50
11	C-210770—Roof panel	57.25
12	C-210110—Whlhouse pan., L., in.	7.85
12	C-210113—Whlhouse pan., L., out.	11.00
13	C-211245—Deck lid	32.00



OUTSIDE MOULDINGS COUPES

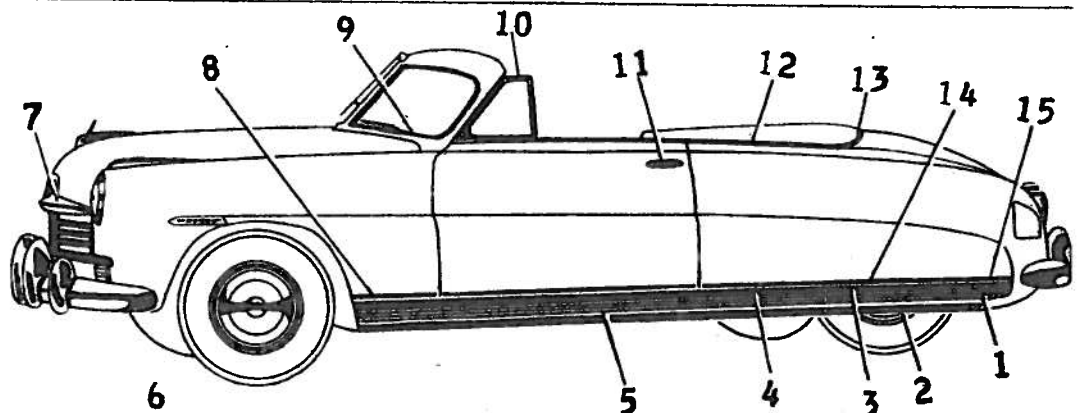
Item Part No.	Description	Price
1	BO-213481—Mould., lower R. rocker pan.	.50
2	C-213480—Mould., lower wheel cover	1.00
3	C-213484—Mould., upper wheel cover	1.80
4	C-213479—Mould., L., upper rocker pan.	5.00
5	C-213653—Mould., L., lower rocker pan.	2.40
6	BZ-210623—Name plate, L. F. fender	2.50
7	BO-211513—Orna., hood front	13.50
8	BO-211378—Mould., lower, F. fender	.60
9	C-210985—Mould., L. wdshd., reveal	2.25
9	BO-210987—Mould., L. center wdshd., reveal	6.40
10	C-211856—Mould., lower door, outer	1.00
11	BO-211791—Handle, outer	5.20
12	C-213156—Mould. & wthstp., door reveal	3.80
16	C-213123—Mould & wthstp. L. qt. window, reveal	3.00
17	C-211381—Mould., lower R. fender	1.70
18	BO-213487—Mould., upper R. rocker pan.	.80



FRONT DOOR VENTILATOR ASSEMBLY CRANK TYPE

Not illustrated
SEDAN & CLUB COUPE

Item Part No.	Description	Price
BO-212201	—Retainer & wthstp., L., comp.	12.75
BO-212219	—Retainer assy., L.	1.25
BO-212223	—Wthstp., L.	1.75
BO-212209	—Frame & glass assy., L.	9.25
210873	—Glass, vent.	P.O.A.
BO-212211	—Frame assy., L.	4.85
BO-212287	—Socket, L., upper pivot	.15
BO-212185	—Center bar & wthstp. assy., L.	2.25
BO-212370	—Wthstp., center bar	.15
BO-212265	—Glass run, center bar	.35



OUTSIDE MOULDINGS CONVERTIBLE

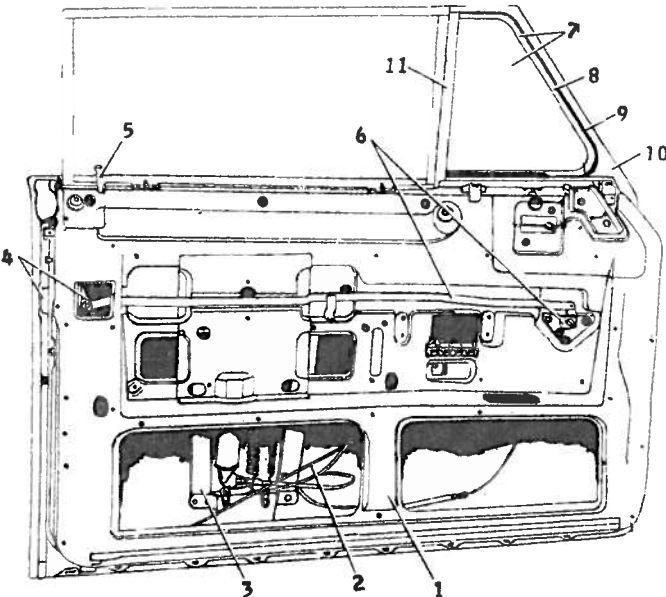
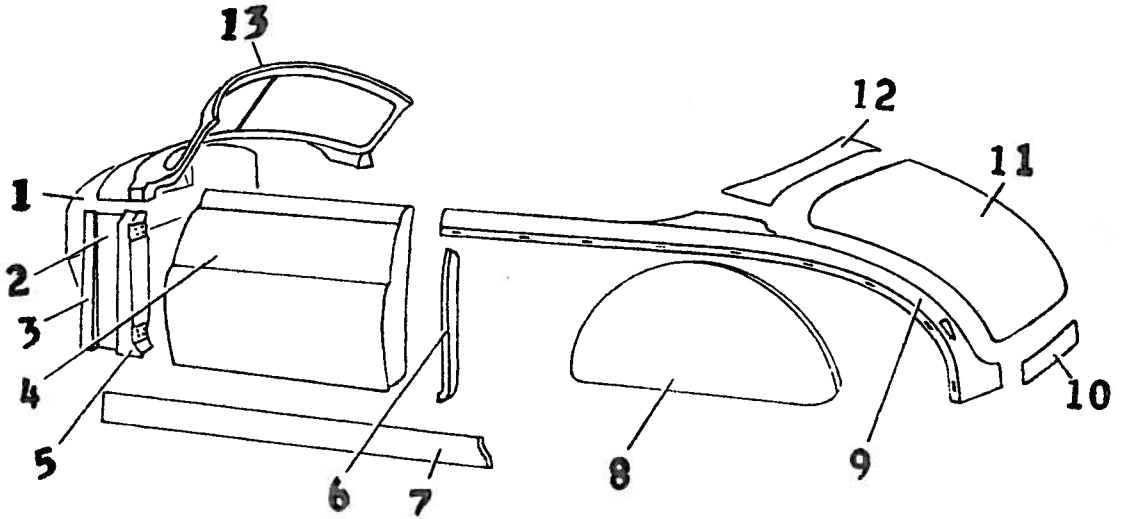
Item Part No.	Description	Price	Item Part No.	Description	Price	Item Part No.	Description	Price
1	BO-213481—Mould., lower R. rocker panel	.50	6	BZ-210623—Name plate, L. F. fender	2.50	10	BO-214953—Glass & frame assy., L. vent.	9.70
2	C-213480—Mould., lower wheel cover	1.00	7	BO-211513—Orna., hood front	13.50	11	BO-211791—Handle, outer	5.20
3	C-213484—Mould., upper wheel cover	1.80	8	BO-211378—Mould., lower F. fender	.60	12	BO-215319—Mold., qtr. belt	5.00
4	C-213479—Mould., L., upper rocker panel	5.00	9	C-210985—Mould., L. wdshd., reveal	2.25	13	C-215273—Mold., rear belt, L.	3.20
5	C-213653—Mould., L., lower rocker panel	2.40	9	BO-210987—Mould., L. wdshd., reveal	.75	14	C-211381—Mould., lower R. fender	1.70
						15	BO-213487—Mould., upper L. rear rocker panel	.80

BODY PARTS 1948 and 1949 HUDSON

Commodore Six and Eight Series 482-484; 492-494. ALL BODY STYLES

BODY SHEET METAL CONVERTIBLE

Item	Part No.	Description	Price
1	C-211726	Dash panel assy.	9.50
2	C-211263	Panel, L. cowl side, hyd.	3.55
3	BO-211117	Brace, L. cowl side	2.25
4	C-212597	Door assy., L., hyd.	60.00
	C-211743	Panel, L. door, outer	21.00
5	C-215123	Pillar, L. front	7.50
6	C-213427	Pillar, L. rear	6.50
7	A-211357	Rocker panel, L.	8.30
	A-211145	Exten., L. rocker pan.	1.50
8	C-210110	Whhouse., L., in.	7.65
9	C-210113	Whhouse., L., out.	11.00
10	C-210225	Qt. panel, L., outer	10.75
11	C-210290	Trunk panel, lower	2.50
12	C-211245	Deck lid	32.00
13	C-211442	Trunk panel, up.	13.50
14	C-210853	Roof, front finish pan. assy.	13.50
15	C-210542	Roof, front panel



DOOR ASSEMBLY CONVERTIBLE

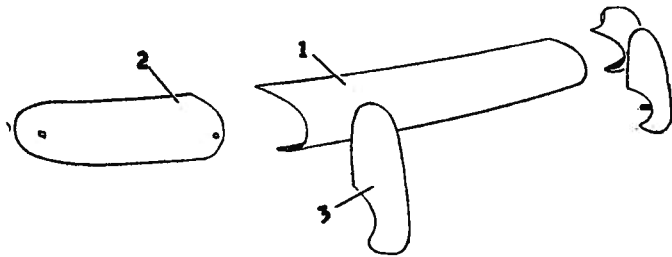
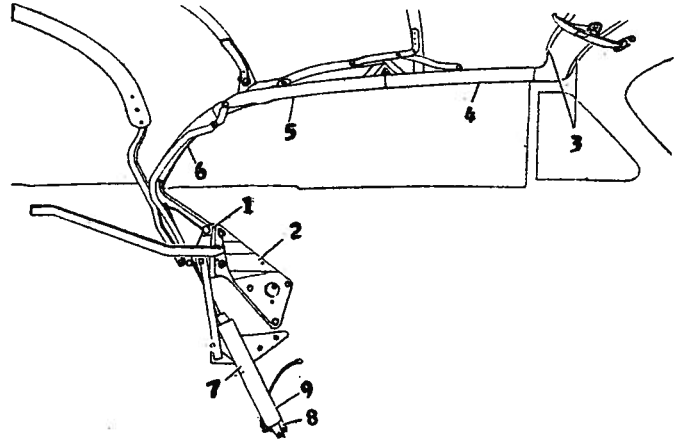
Item	Part No.	Description	Price	Item	Part No.	Description	Price
1	C-212597	Door assy., L.	60.00	1	BO-210858	Safety lock comp.	2.20
2	C-215176	Tie rod	.35	6	BO-215347	Remote control, L.	1.50
	BO-215177	Sleeve, adj. tie rod	.20		BO-211984	Sleeve assy., R.C.	.15
	BO-214913	Brkt., L., up. tie rod	.15		C-212377	Wthstp., door, front L.	3.00
	BO-214914	Brkt., L., lower tie rod	.15		BO-213737	Wthstp., L. door belt	.85
3	BO-214981	Reg. assy., L.		C-213713	Wthstp., door bottom	.95
	BO-213067	Hinge, L., up. door half	1.50		BO-213742	Wthstp., door front	1.00
	BO-213068	Hinge, L., up. door half	1.50		C-216167	Wthstp., L. door, bottom	3.25
	BO-212867	Hinge, L., lower door half	1.50		BO-215271	Wthstp., L. door, rear	1.75
	BO-212868	Hinge, lower door half	1.50		BO-211780	Push button, outer	1.00
	BO-211997	Tapping plate, upper door half hinge	.50	7	BO-214953	Glass & frame assy., L.	9.75
	BO-211998	Tapping plate, lower door half hinge	.30		214957	Glass, vent.	P.O.A.
	BO-210240	Tapping plate, hinge, upper pillar	.50	8	BO-214951	Frame assy., L.	3.75
	BO-210234	Tapping plate, hinge, lower pillar	.35		BO-212769	Socket, L., upper pivot	.65
	BO-210752	Check arm assy.	.50	9	BO-214955	Wthstp., L.	1.50
	BO-210754	Guide, check arm	.30		BO-214956	Guide, frame	.05
	BO-211096	Brkt., check arm	.20		BO-108510	Shim, upper pivot, thin	.01
4	BO-212241	Lock assy., L.	4.75		BO-108511	Shim, upper pivot, thick	.01
5	BO-211995	Knob, lock	.20	10	BO-215173	Cradle, L., vent.	11.25
	BO-211789	Striker, L., lock	.35	11	C-214983	Center bar & wthstp., L.	3.50
	BO-211977	Tapping plate, L., striker	.35		BO-214990	Wthstp., center bar	.96
	BO-211974	Retainer, tapping plate	.15		BO-214964	Glass run, center bar	.45

HUDSON 1948 and 1949 BODY PARTS

Commodore Six and Eight Series 482-484; 492-494. ALL BODY STYLES

FOLDING TOP

Item Part No.	Description	Price	Item Part No.	Description	Price
C-213868	Top, complete, trimmed	400.00	BO-215567	Retainer, inter. side rail, L.	.05
C-214039	Top deck to side qtr.	61.50	BO-215568	Retainer, rear side rail, L.	.85
BO-215253	Retainer, belt flap, L. H.	2.00	7 BO-215577	Housing, hyd. unit	1.75
BO-215255	Retainer, qtr. flap, L. H.	.50	8 BO-215578	Bottom, hyd. unit housing	.20
C-216640	Rear curtain & window assy.	70.00	BO-212933	Support, hyd. unit	.65
BO-214617	Slide fastener, L. H. rear curtain, black	5.75	BO-215597	Brkt., unit support	.45
BO-214619	Slide fastener, L. rear curtain, gray	5.75	BO-302003	Hyd. power unit assy.	70.00
BO-214621	Slide fastener, L. rear curtain, red	P.O.A.	SP-162016	Fluid power unit	.40
C-215518	Mold, lower, rear curtain	1.75	BO-302007	Valve assy., top control	7.50
C-214038	Dust boot assy.	28.25	BO-302031	Swivel, control valve lever	.15
C-214037	Bag, dust boot	P.O.A.	BO-302033	Rod, valve lever	.40
1 BO-215263	Brkt., pivot, L.	10.00	BO-302049	Rod, oper. valve	.50
2 BO-215265	Support, L., pivot brkt.	14.00	BO-302042	Gulde, valve rod	.05
3 C-213046	Wthstp., upper, front header	2.75	BO-302043	Retainer, mount. nut	.10
3 C-213116	Wthstp., low., front header	6.75	BZ-301014	Mount. bezel, valve rod	.20
BO-212725	Wthstp., wdshd., F. pillar	1.15	BO-302047	Knob, oper. rod. assy.	13.75
4 BO-216715	Wthstp., F. side rail, L.	1.75	BO-214972	Yoke, oper. cyl.	.85
5 BO-216719	Wthstp., inter. side rail, L.	1.75	BO-215223	Brkt., L. oper. cyl.	3.35
6 BO-216717	Wthstp., rear side rail, L.	1.10	BO-302037	Switch assy., wdw. regulator, multiple	9.25
6 BO-215549	Wthstp., rear side rail, L.	2.45	BO-302039	Switch assy., wdw. reg., single	2.35
BO-215565	Retainer, F. side rail, L.	.85	BO-302038	Plate, wdw. reg. sw., multiple	1.65
			BO-302040	Plate, wdw. reg. sw., single	.90

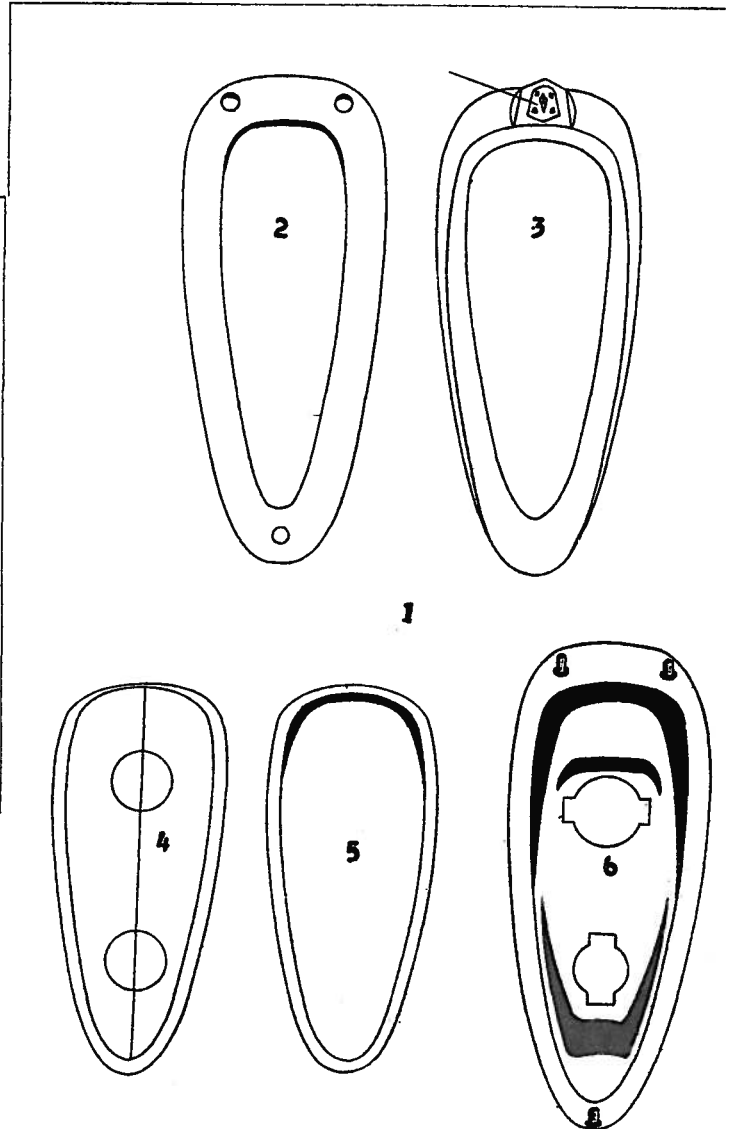


REAR BUMPER ASSEMBLY

Item Part No.	Description	Price
1 C-213522	Face bar, center	18.25
2 C-213521	Face bar, L., out.	12.50
BZ-213519	Spacer, face bar outer	.10
3 BZ-213541	Guard assy., L.	9.50
BZ-213519	Spacer, guard..	.10

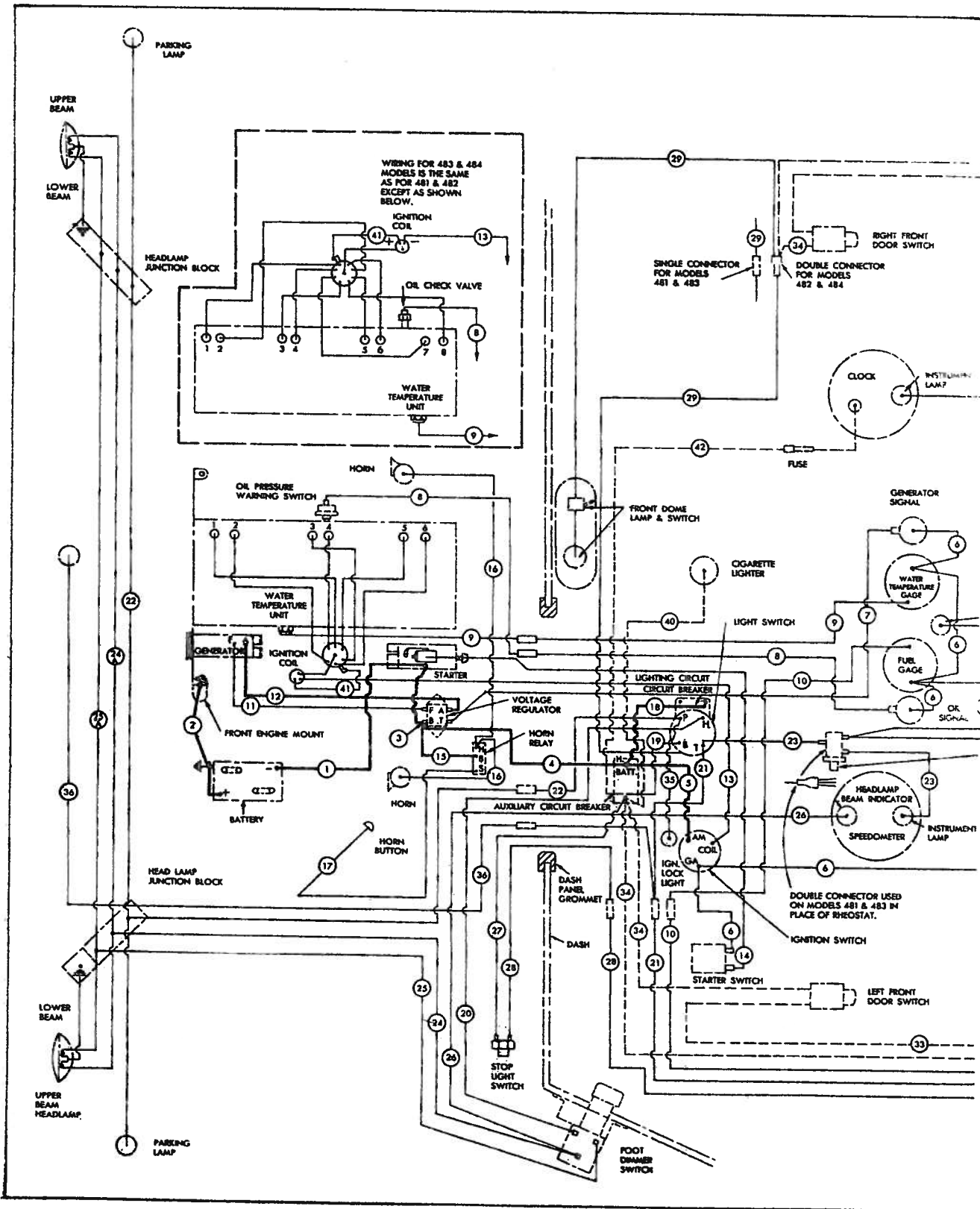
REAR LAMP ASSEMBLY

Item Part No.	Description	Price
1 BO-216341	Lamp assy., L.	10.00
2 BO-211548	Pad, lamp	.50
3 BO-211543	Bezel assy., L., lamp	8.30
4 BO-211546	Lens, lamp	1.45
5 BO-211647	Gasket, lens	.50
6 BO-211544	Base plate, lamp	.75



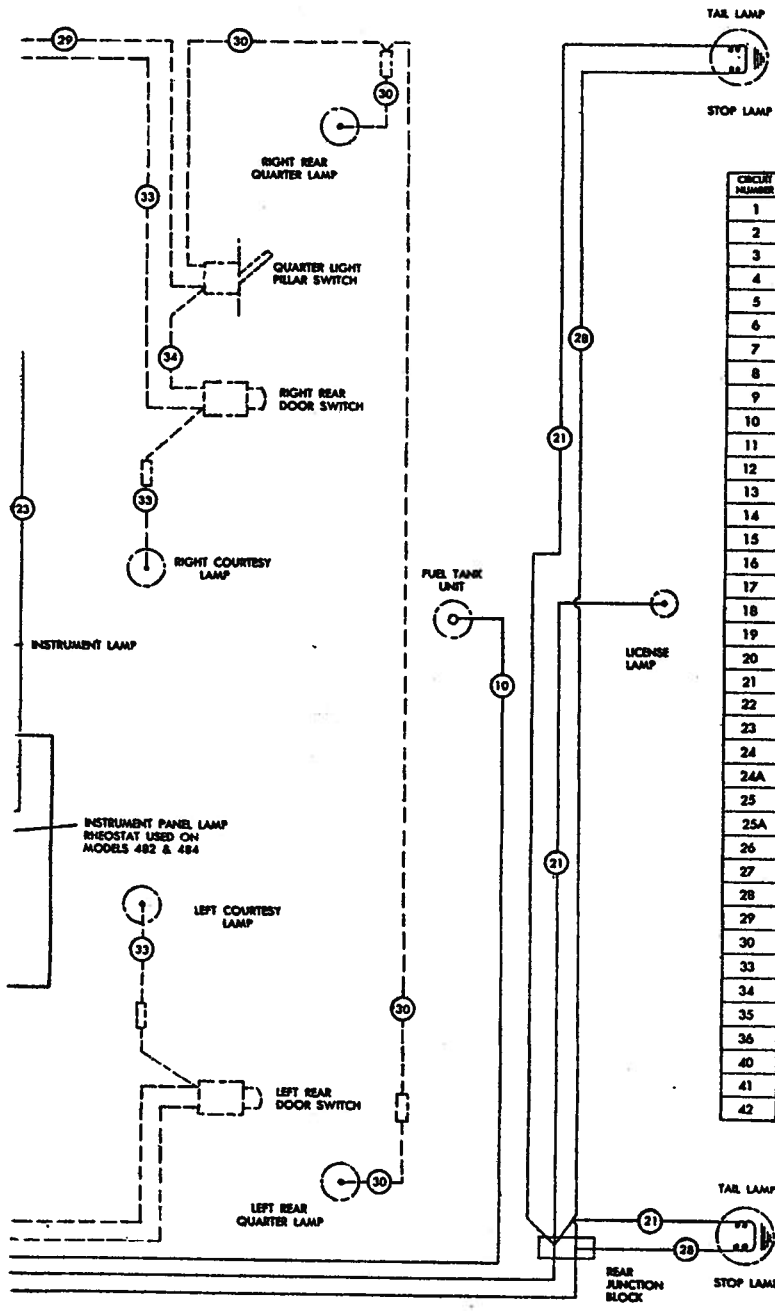
HUDSON 1948 and 1949 WIRING

Commodore Six and Eight Series 482-484; 492-494. ALL BODY STYLES



WIRING 1948 and 1949 HUDSON

Commodore Six and Eight Series 482-484; 492-494. ALL BODY STYLES



CIRCUIT NUMBER	WIRE SIZE	COLOR	CIRCUIT NAME
1	1	BLACK	BATTERY TO STARTER SOLENOID CABLE
2	1	BRAIDED STRAP	BATTERY GROUND
3	10	BLACK	STARTER SOL. TO CHARGE REG. "B" TERM.
4	10	BLACK	MAIN CIRCUIT BREAKER FEED
5	14	BLACK	IGNITION SWITCH FEED
6	16	BLACK & RED	SIGNAL LAMPS, GAGES, AND STARTER SW. FEED
7	16	GREEN	GENERATOR SIGNAL
8	16	BLACK	OIL PRESSURE SIGNAL
9	16	ORANGE	WATER TEMPERATURE GAGE
10	16	BROWN	FUEL GAGE
11	16	WHITE	GEN. "P" TO CHARGE REG. "P" TERM.
12	12	BLACK	GEN. "A" TERM. TO CHARGE REG. "A" TERM.
13	14	BLACK	IGNITION SWITCH TO COIL
14	16	BLACK	STARTER SWITCH TO STARTER SOL.
15	12	WHITE	HORN RELAY FEED
16	12	YELLOW	HORN FEED
17	14	BLACK	HORN BUTTON WIRE
18	12	BLACK	LIGHT SWITCH FEED
19	14	WHITE	LIGHT SWITCH FEED FUSED
20	12	YELLOW	FOOT DIMMER SWITCH FEED
21	16	RED	TAIL AND LICENSE LAMP
22	16	WHITE	PARKING LAMP
23	16	RED	INSTRUMENT PANEL LAMPS
24	12	GREEN	HEADLAMP FEED, UPPER BEAM
24A	14	GREEN	HEADLAMP CONNECTOR, UPPER BEAM
25	12	RED	HEADLAMP FEED, LOWER BEAM
25A	14	RED	HEADLAMP CONNECTOR, LOWER BEAM
26	16	BLUE	HEADLAMP BEAM INDICATOR
27	16	GREEN	STOP LIGHT SW. FEED
28	16	GREEN	STOP LAMP
29	16	WHITE	DOME AND QUARTER LIGHT SW. FEED
30	16	BLACK	QUARTER LAMP
33	16	BLACK	COURTESY LAMP
34	16	WHITE	COURTESY LIGHT SW. FEED
35	16	WHITE	IGNITION SW. LAMP
36	16	RED	HOOD LAMP
40	12	GREEN	CIGARETTE LIGHTER
41	14	BLACK	IGNITION COIL + TO DIST. (PRIMARY)
42	16	BLACK	CLOCK WIRE (FURNISHED WITH CLOCK)

_____ ALL MODELS
 - - - - - 482 AND 484 ONLY
 - - - - - OUTLINE OF PARTS

FLAT RATE 1948 and 1949 HUDSON

Commodore Six and Eight Series 482-484; 492-494. ALL BODY STYLES

Job No.	Chilton Labor Price	Chilton Job No.	Chilton Labor Price	Chilton Job No.	Chilton Labor Price	Chilton Job No.	Chilton Labor Price	Chilton Job No.	Chilton Labor Price	Chilton Job No.	Chilton Labor Price	Chilton Job No.	Chilton Labor Price	Chilton Job No.	Chilton Labor Price	Chilton Job No.	Chilton Labor Price
A		A—continued		A—continued		B—continued		C—continued		D		E—continued		E—continued		F—continued	
1.....	2.60	7.....	2.00	20x.....	10.00	9.....	3.25	3.....	21.00	1.....	3.00	2.....	28.00	12.....	2.00	2.....	28.00
2.....	1.75	8.....	1.25			10.....	4.00	4.....	1.75	1a.....	2.50	3.....	22.00	13.....	2.00	3.....	20.00
3.....		9.....	3.50			11.....	3.25	5.....	4.00	2.....	1.75	4.....	22.00	14.....	125.00	4.....	1.75
4.....	17.50	10.....				12.....	3.75	6.....	2.00	3.....		5.....	115.00	15.....	4.50	5.....	4.50
4a.....		11.....	3.00			13.....	2.00	7.....	2.00	4.....	10.00	6.....		16.....	2.00	6.....	2.00
4b.....	2.00	12.....	4.50	1.....	8.50	14.....	3.25	8.....	4.00	7.....	15.00	7.....	15.50	17.....	2.00	7.....	2.00
4c.....	8.00	13.....		1a.....	30.00	15.....	1.25	9.....		7x.....		8.....	12.00	18.....	2.00	8.....	4.00
5.....	10.00	14.....		2.....	22.00			10.....		19.....	7.00	9.....	12.00	19.....	12.00	9.....	
5a.....	3.00	15.....	.75	3.....	1.75			11.....	3.25	20.....	3.00	8.....	80.00	10.....		10.....	
5b.....	4.00	16.....		4.....	4.00			12.....	3.75			9x.....	82.00	11.....		11.....	82.00
5c.....	3.00	17.....		5.....	2.00	1.....	7.50	13.....				9y.....	82.00	12.....		12.....	
5d.....	6.00	18.....	12.00	6.....	2.00	1a.....	5.50	14.....	3.25			10.....		13.....	7.50	13.....	
5e.....	18.00	19.....	7.50	7.....	2.00	2.....	27.00	15.....	1.25	1.....	60.00	10a.....	65.00	14.....	4.50	14.....	3.00
6.....		20.....	7.50	8.....	4.00									1a.....		19.....	12.00

STEERING GEOMETRY

1948-1949

CAMBER: 1/2 to 1 1/2 degree.

CASTER: 1/2 to 1 1/2 degree.

OE-IN: 1/32 plus or minus 1/32.

DRIVING PIN INCLINATION: 3 degree 35 minutes.

ADJUSTMENT

Caster and camber are both controlled by an eccentric pin in the upper control arm outer end.

