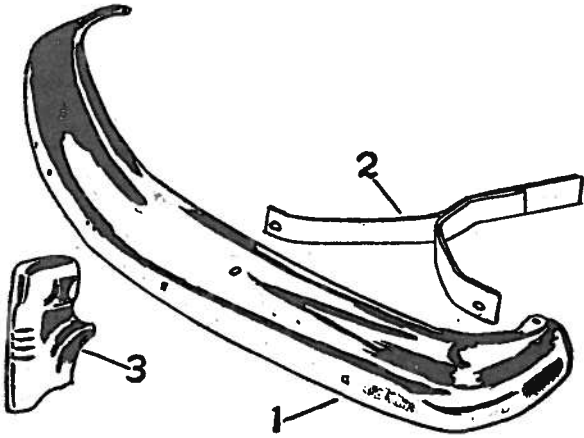


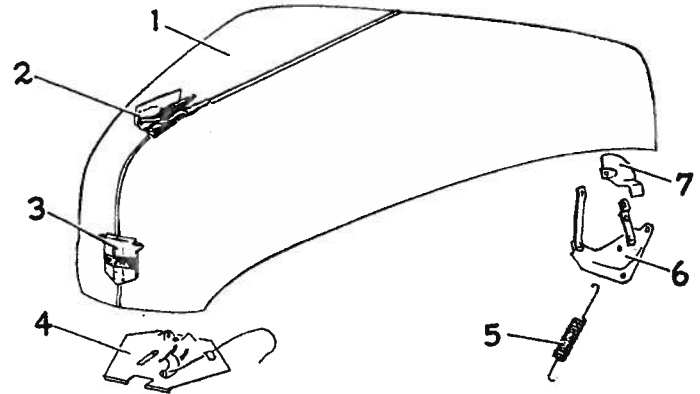
NASH 1946 to 1948 BODY PARTS

Series 60. ALL BODY STYLES



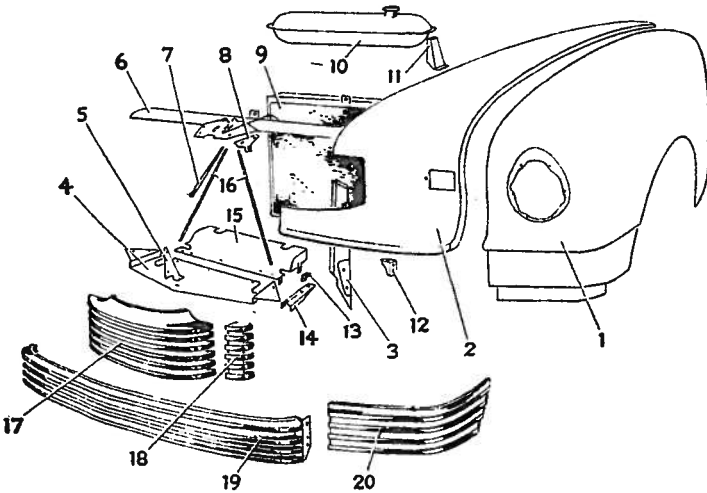
**FRONT BUMPER
ALL MODELS**

Item Part No.	Description	Price
1 3121057	Bumper, Impact bar	37.00
2 3122506	Back bar	3.35
3 3121460	Guard, bumper, vert.	8.65



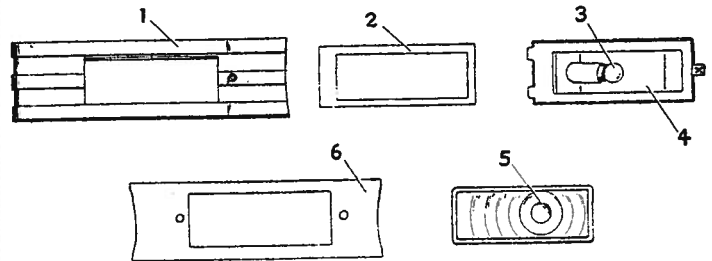
**HOOD ASSEMBLY
ALL MODELS**

Item Part No.	Description	Price	Item Part No.	Description	Price
1 312884	Hood	45.65	4 3105704	Hood lock plate, low	2.25
2 3121055	Trim strip	1.95	5 311187	Hinge spring	.55
3 3121976	Name plate, 1946, 47 All, 48-60, 63, 64, 68...	.99	6 3110800	Hinge	2.04
3 3121967	Name plate, 1948-70, 73, 78	1.00	7 3109512	Hinge brkt.	.33



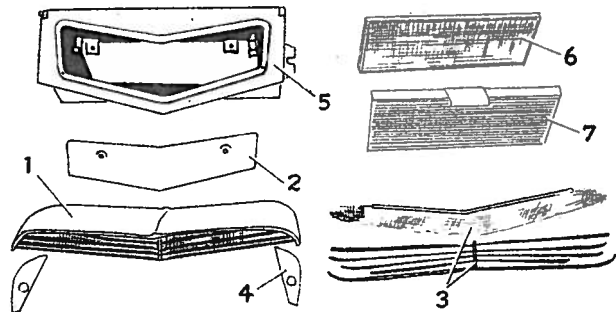
**FRONT FENDER, RADIATOR & GRILLE ASSEMBLY
ALL MODELS**

Item Part No.	Description	Price	Item Part No.	Description	Price
1 3131047	Fender	30.00	12 3106611	Brkt., rad. to frame	.50
3109620	Welt, fender	.22	13 3108758	Brkt., mud pan	.11
2 3112146	Apron, hood side	16.50	14 3107280	Brkt., rad. brace rod	.39
3109538	Lacing, rubber	.70	15 3107972	Mud pan	2.65
3 3110783	Air baffle, side	1.20	16 3110456	Rod, rad. vert. brace	.90
4 3110786	Air baffle, low	1.45	17 3121011	Grille, up, rad.	13.15
5 3121076	Brkt., low. baffle	.55	18 3123157	Grille ext., up, rad., 1947-48	4.45
6 3110616	Tie plate	3.35	19 3121038	Grille, low, rad.	15.60
7 3110466	Rod, tie plate to grille	.60	20 3121014	Grille, fender	10.40
8 3122342	Brkt., plate sup.	.22			
9 3109891	Radiator	75.00			
10 3107316	Tank, rad.	9.75			
11 3111398	Brkt., tank	.44			



**PARKING & DIRECTIONAL SIGNAL LAMP
ALL MODELS**

Item Part No.	Description	Price	Item Part No.	Description	Price
3121065	Lamp, complete	5.40	3 88295	Bulb, w/directional signal	.29
3121063	Lamp, complete w/signal	5.40	3 65180	Bulb, parking	.15
1 3121294	Door	2.75	4 3121791	Body, w/socket	1.25
2 3121864	Gasket, to lens	.33	5 3121796	Lens	.39
			6 3121083	Gasket, to body	.11

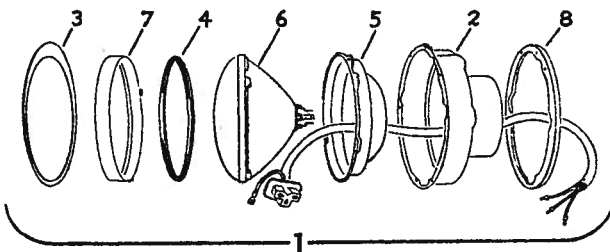


**HEADLAMP ASSEMBLY
ALL MODELS**

Item Part No.	Description	Price
1 3109942	Hdimp. (less dr.)	17.75
2 3110987	Body	4.45
3 3121033	Door	3.30
4 3104662	Gasket, dr.	.35
5 3104926	Adjusting shell	1.50
6 3102722	Bulb assy.	1.30
7 3108190	Retaining ring	1.20
3105193	Adjusting spring	.15
8 3102851	Gasket, to fender	.50

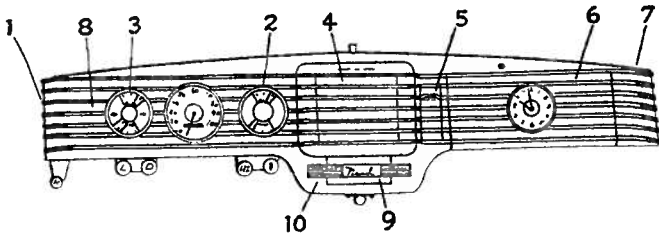
**COWL VENT & AIR HOPPER ASSEMBLY
ALL MODELS**

Item Part No.	Description	Price
1 4332022	Hood assy., cowl vent.	9.04
2 4332027	Cover	2.81
3 4331998	Screen & grille	5.61
4 4332926	Gasket	.01
5 4332007	Air hopper	15.21
6 A66791	Filter	1.11
7 3106920	Air baffle	2.01



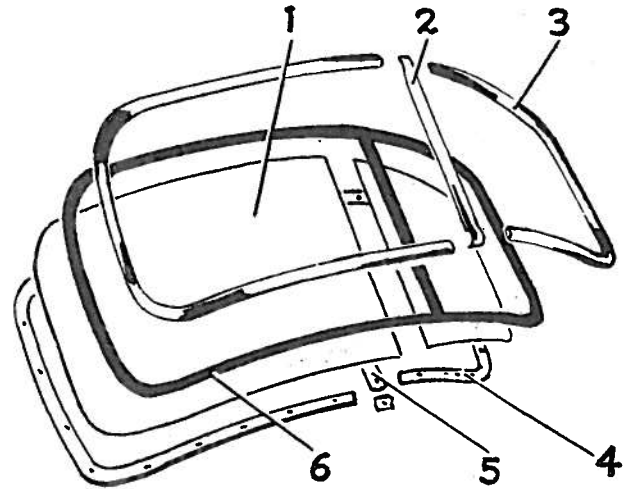
BODY PARTS 1946 to 1948 NASH

Series 60. ALL BODY STYLES



**INSTRUMENT PANEL
ALL MODELS**

Item Part No.	Description	Price	Item Part No.	Description	Price
1 4335711	Panel, 1946, 47-50, 63, 68	20.15	6 4335702	Cover, glove box, 1946, 47	7.70
1 4341611	Panel, 1948-50, 63, 68	20.15	6 4341444	Cover, glove box, 1948-50, 63, 68	8.40
1 4342028	Panel, 70, 73, 78	24.10	6 4342036	Cover, glove box, green, 1948-70, 73, 78	10.65
2 3109685	Instrument panel, R., 1946, 47	8.05	7 4335701	Molding, overlay, R., 60, 63, 68	2.95
2 3124470	Instrument panel, R., 1948	8.05	7 4342035	Molding, overlay, R., 1948-70, 73, 78	3.95
3 3109684	Instrument panel, L., 1946, 47	8.05	8 4335700	Molding, inst. cluster, L., 60, 63, 68	6.00
3 3124469	Instrument panel, L., 1948	8.05	8 4342034	Molding, inst. cluster, L., 1948-70, 73, 78	8.85
4 3121860	Panel, radio grille	7.35	9 3110405	Plate, radio control cover	1.65
4 4332058	Screen, radio panel	.83	10 3107303	Shell heater	6.65
5 4335705	Ash tray panel, cover	1.15			



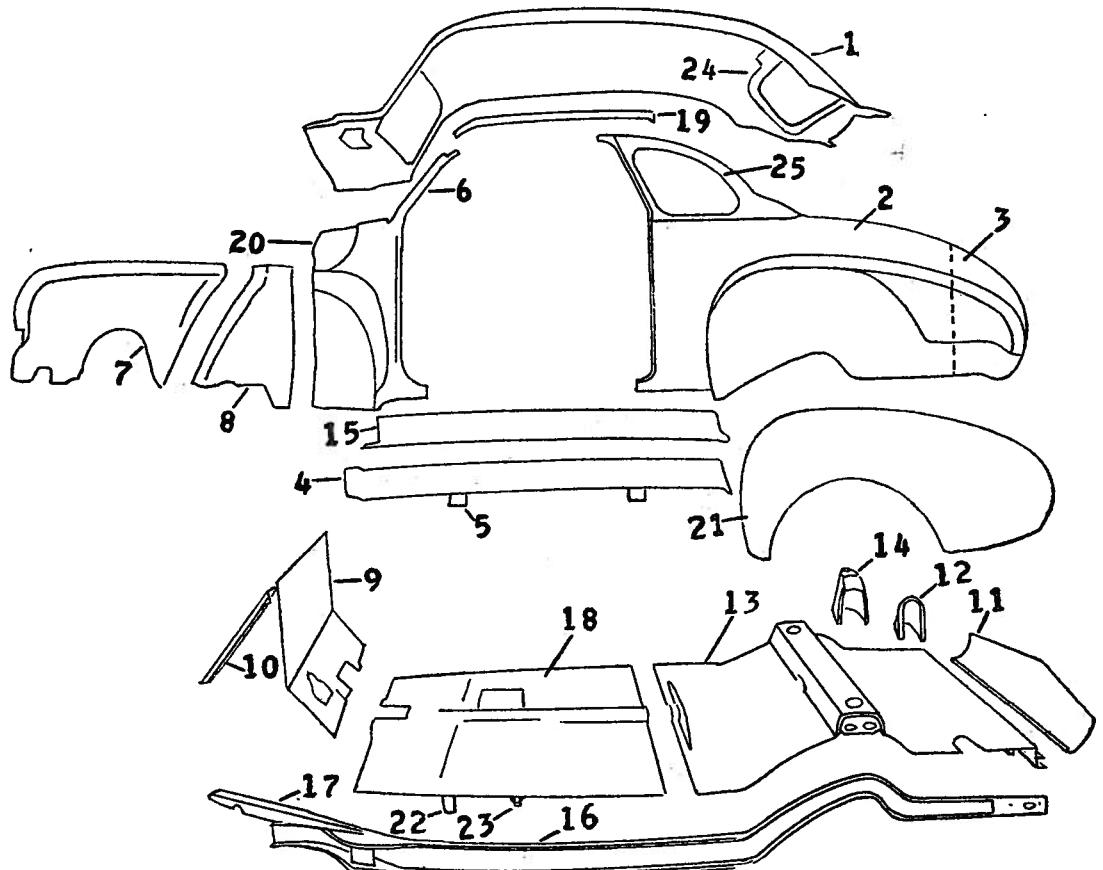
**WINDSHIELD
ALL MODELS**

Item Part No.	Description	Price	Item Part No.	Description	Price
1 4325143	Glass	5.00	5 4335658	Molding, finish, div. bar, 1946	1.45
2 4325192	Division bar	1.05	5 4340134	Molding, finish, div. bar, 1947, 48	1.45
3 4325393	Molding, W/s. reveal, L.	2.70	6 4325127	Channel	4.45
4 4335655	Molding, frame finish	2.90			

CAR BODY SHEET METAL

2 DOOR MODELS—
1946, 47, 48-63, 73

Item Part No.	Description	Price
1 4331797	Roof panel, 1946-47	67.50
1 4341540	Roof panel, 1948 only	70.60
2 4332917	Rear qtr. panel, 1946-47	61.10
2 4344383	Rear qtr. panel, 1948 only	61.10
3 4332929	Panel, side back end	15.95
4 4324701	Run. board apron	6.60
5 4324735	Brace, apron	5.55
6 4331957	Front body pillar assy.	11.55
7 4331805	Whhouse. panel	7.20
8 4332589	Whhouse. panel exten.	3.25
9 4331755	Dash panel	20.00
10 4331767	Brace	5.95
11 4335789	Panel, rear deck, low.	8.50
4331322	Brace, rear deck, low. panel	.44
12 4324549	Filler neck cover	.28
13 4329343	Rear floor panel	46.50
14 4332595	Housing, shock absorber, 1946	4.55
14 4339642	Housing, shock absorber, 1947	4.55
14 4331349	Housing, shock absorber, 1948	4.55
15 4324735	Side sill panel, body	5.55
16 4331723	Floor panel, side sill, L.	30.35
17 4339308	Ext., floor side sill panel	2.15
18 4335722	Front floor panel	19.90
19 4325037	Side roof rail panel, out.	1.55
19 4331949	Side roof rail panel, in.	1.30
20 4331775	Cowl side assy., 1946-47	31.35
20 4341509	Cowl side assy., 1948	31.35
21 3121005	Fender, rear	22.50
3106329	Brace rod, fender, rear	.78
3105654	Welt, fender, rear	.70
22 4324521	Front cross sill assy.	4.55
23 4335721	Rear cross sill assy.	2.15
24 4324669	Frame assy., rear window	5.25
25 4331819	Frame assy., rear qtr. window	8.55
3109778	Gas tank	16.50



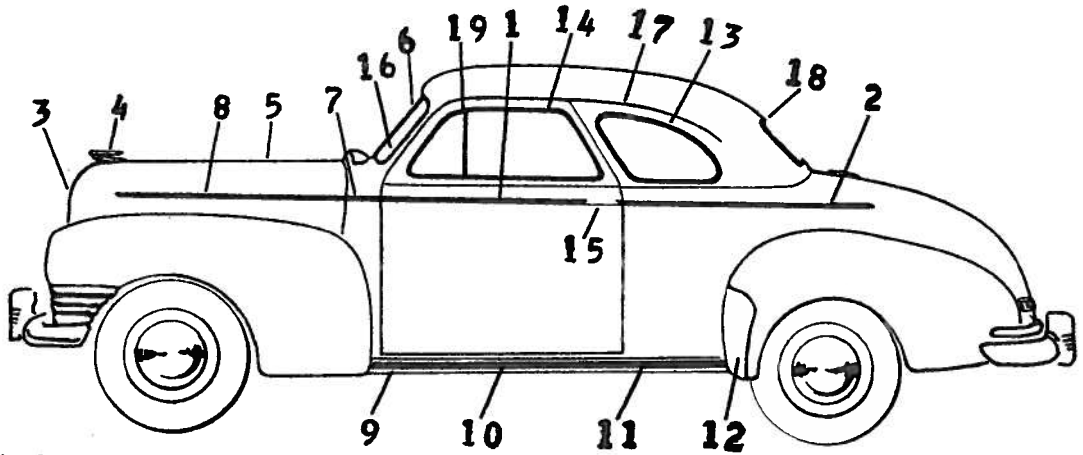
NASH 1946 to 1948 BODY PARTS

Series 60. ALL BODY STYLES

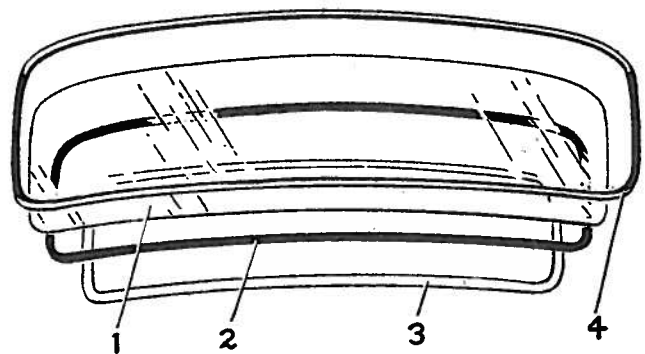
CAR BODY CHROME & TRIM MOLDINGS

2 DOOR MODELS—
1946, 47, 48—63, 73

Item Part No.	Description	Price
1 4325178	Midg., dr., up. belt, 46, 47	2.70
1 4341579	Midg., dr., up. belt, 48	2.70
2 4325191	Midg., rear qtr. belt, 46, 47	2.30
2 4341589	Midg., rear qtr. belt, 48	2.30
3 3121070	Name plate, hood, 46, 47	4.30
3 3125688	Name plate, hood, 48	2.55
4 3121932	Ornament, hood, 46	5.60
4 3123151	Ornament, hood, 47, 48	8.70
5 3121055	Hood trim strip	1.95
6 4325393	Midg., wndshld., reveal	2.70
6 4325192	Midg., div., w/s	1.05
7 4325185	Midg., cowl	.72
8 3121036	Midg., hood, side	2.85
9 4325903	Midg., run. board apron	3.75
10 4325907	Rubber run. board apron	1.55
11 4331923	Mat, side sill	3.50
12 3111180	Guard, splash, rear fender	3.45
13 4325623	Midg., reveal, rr. qtr. window, 46, 47	2.00
14 4325612	Midg., reveal, front dr., 46, 47	2.80
15 4325714	Handle, dr., 46, 47	2.90

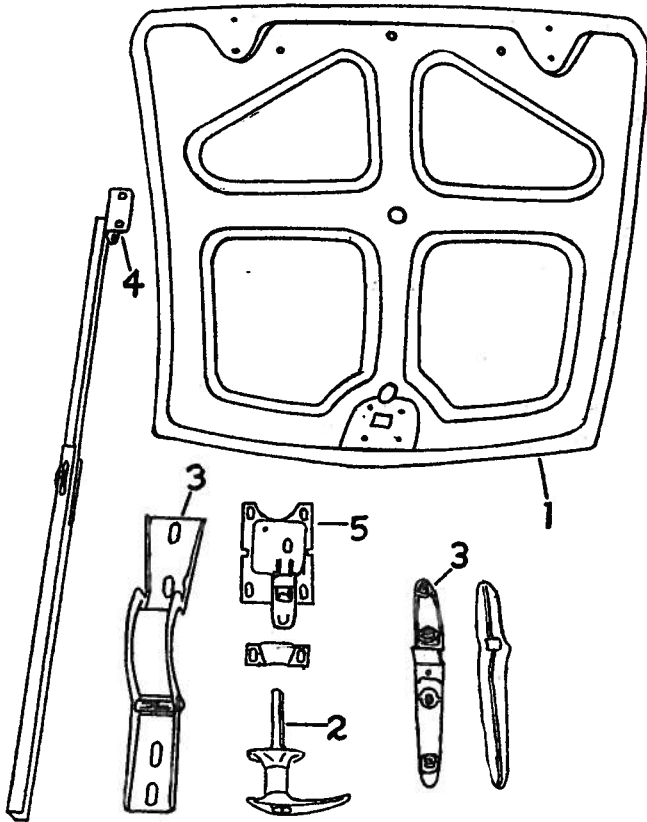


Item Part No.	Description	Price
15 4325926	Handle, dr., 48	2.90
16 4325143	Glass, wndshld.	1.60
17 4325283	Midg., drip, 46, 47	1.25
17 4341533	Midg., drip, 48	4.00
18 4325398	Midg., reveal, rr. window	1.95
19 4333657	Midg., frt. dr. div. (chrome)	1.25
19 4334939	Midg., frt. dr. div. (black)	



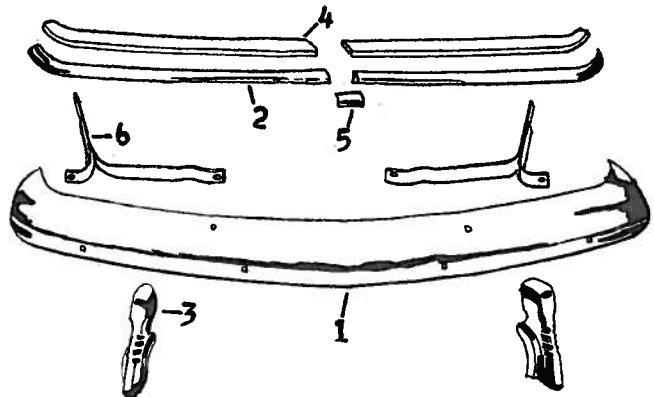
REAR WINDOW ALL MODELS

Item Part No.	Description	Price	Item Part No.	Description	Price
1 4325154	Glass, 68, 78	4.40	4341810	1946-68	4.40
1 4325155	Glass, 60, 63, 70, 73	4.40	4341862	1946-70, 73	4.40
2 4325130	Channel (rubber)	3.90	4341963	1946-78	4.40
3 Molding, Frame, Finish:			4 4325398	Midg., reveal, 68, 78	4.20
4335715-68	4.40		4 4325399	Midg., reveal, 60, 63, 70, 73	4.00
4335716-60, 63	4.40				
4341599-1946-60, 63	4.40				



REAR DECK LID 2 DOOR MODELS— 1946, 47, 48—63, 73

Item Part No.	Description	Price	Item Part No.	Description	Price
1 4338801	Deck lid	50.25	4 4328348	Stay hinge, deck lid	2.10
2 4340888	Handle, deck	4.70	5 4337862	Lock, deck	1.75
3 4325349	Hinge, deck	2.70			
4325368	Gasket, deck hinge	.10			

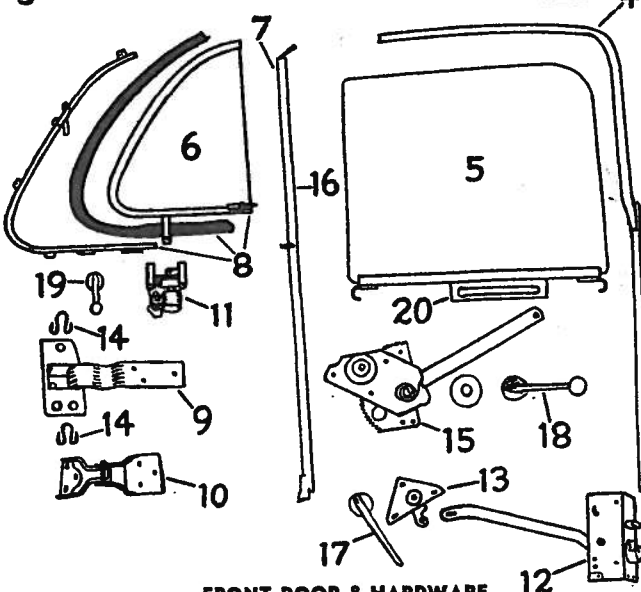
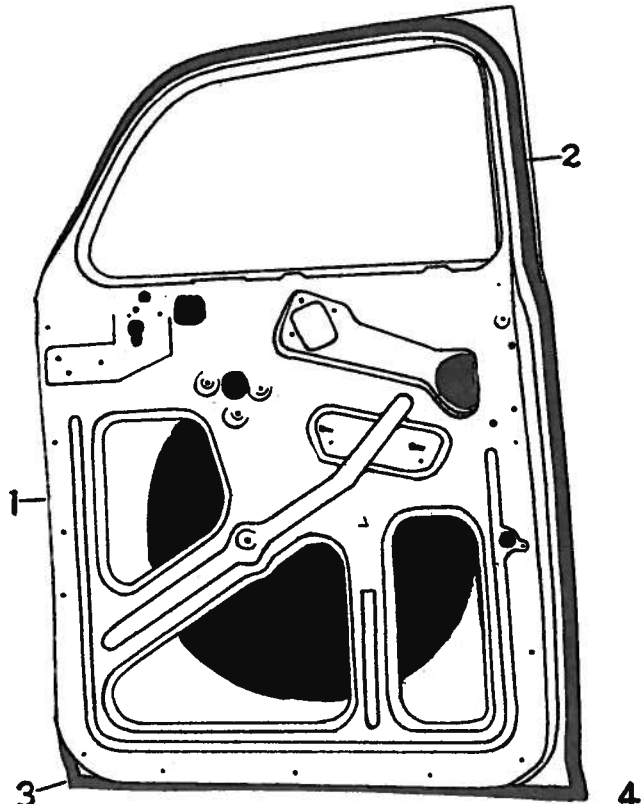


REAR BUMPER ALL MODELS

Item Part No.	Description	Price
1 3121489	Bumper, impact bar	33.65
2 3109575	Trim bar	2.75
3 3121461	Guard, bumper vertical	6.85
4 3122865	Spacer	1.50
5 3111226	Center clip	.15
6 3109646	Back bar	3.35

BODY PARTS 1946 to 1948 NASH

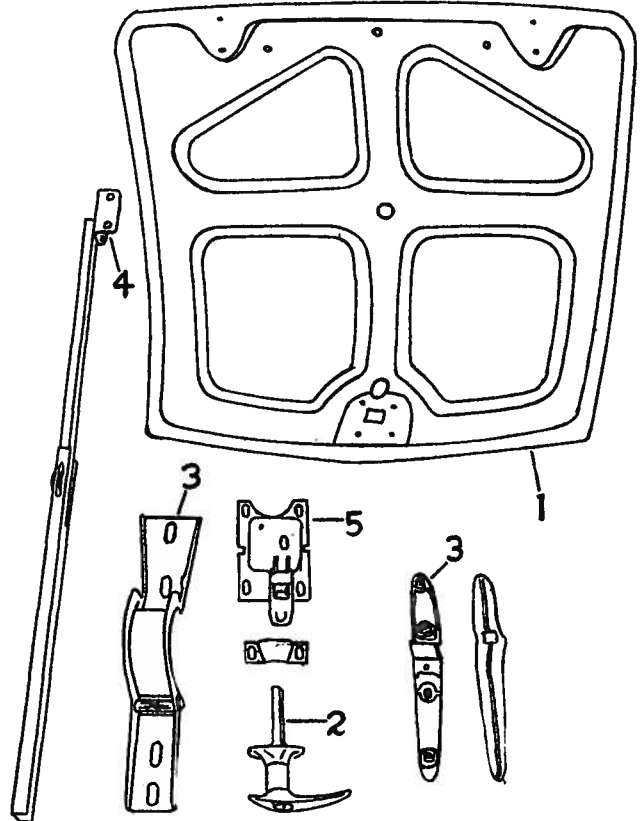
Series 60. ALL BODY STYLES



FRONT DOOR & HARDWARE

2 DOOR MODELS—1946, 47, 48—63, 73

Item	Part No.	Description	Price	Item	Part No.	Description	Price
1	4334644	Door, 1946, 47.....	55.00	9	4331862	Hinge, upper.....	3.20
1	4333857	Door, 1948.....	55.00	10	4325356	Hinge, lower.....	2.00
2	4325452	W/strip, top & sides.....	2.00	11	4325216	Regulator, vent.....	3.35
3	4325604	W/strip, lower.....	.72	12	4327898	Lock, door.....	3.35
4	4325674	Channel, door glass slide.....	2.50	13	4335991	Remote control.....	3.35
5	4332226	Glass, door.....	10.50	14	4331887	Spring, hinge.....	.44
6	4325711	Glass, ventilator...	2.75	15	4325502	Reg., glass door...	3.65
7	4336444	Div. bar, vent., crank type, 1946, 47.....	3.80	16	4325200	channel, div. bar glass slide, up.....	.55
7	4341623	Div. bar, vent. (friction) 48—63.....	3.80	16	4325199	Channel, div. bar glass slide, low.....	.55
7	4342003	Div. bar, vent., 48—73.....	3.80	17	4325638	Handle, remote control.....	1.10
8	4325370	Frame assy., vent. (crank).....	12.70	18	4332095	Handle, regulator..	1.65
				19	4332093	Handle, vent. reg..	1.40
				20	4325416	Channel, lower....	3.85



REAR DECK LID

4 DOOR MODELS—

1946, 47, 48—60, 68, 70 78

Item	Part No.	Description	Price
1	4336383	Deck lid, 68, 78....	44.00
1	4336387	Deck lid, 69, 70....	48.90
2	4340888	Handle, deck.....	4.70
3	4323351	Hinge, deck, 60, 70.....	2.70
3	4325357	Hinge, deck, 68, 78	1.60
	4325368	Gasket, deck hinge, 60, 70.....	.10
	4325659	Gasket, deck hinge, 68, 78.....	.10
4	4326349	Stay hinge, deck lid, 60, 70.....	2.10
4	4326313	Stay hinge, deck lid, 68 78.....	1.55
5	4337862	Lock deck.....	1.75

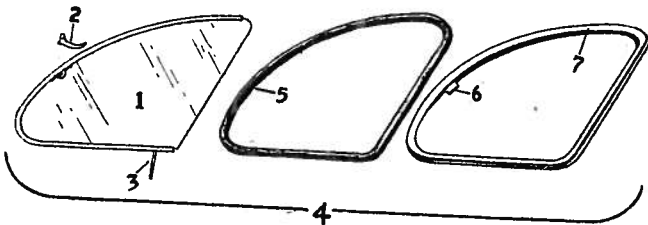
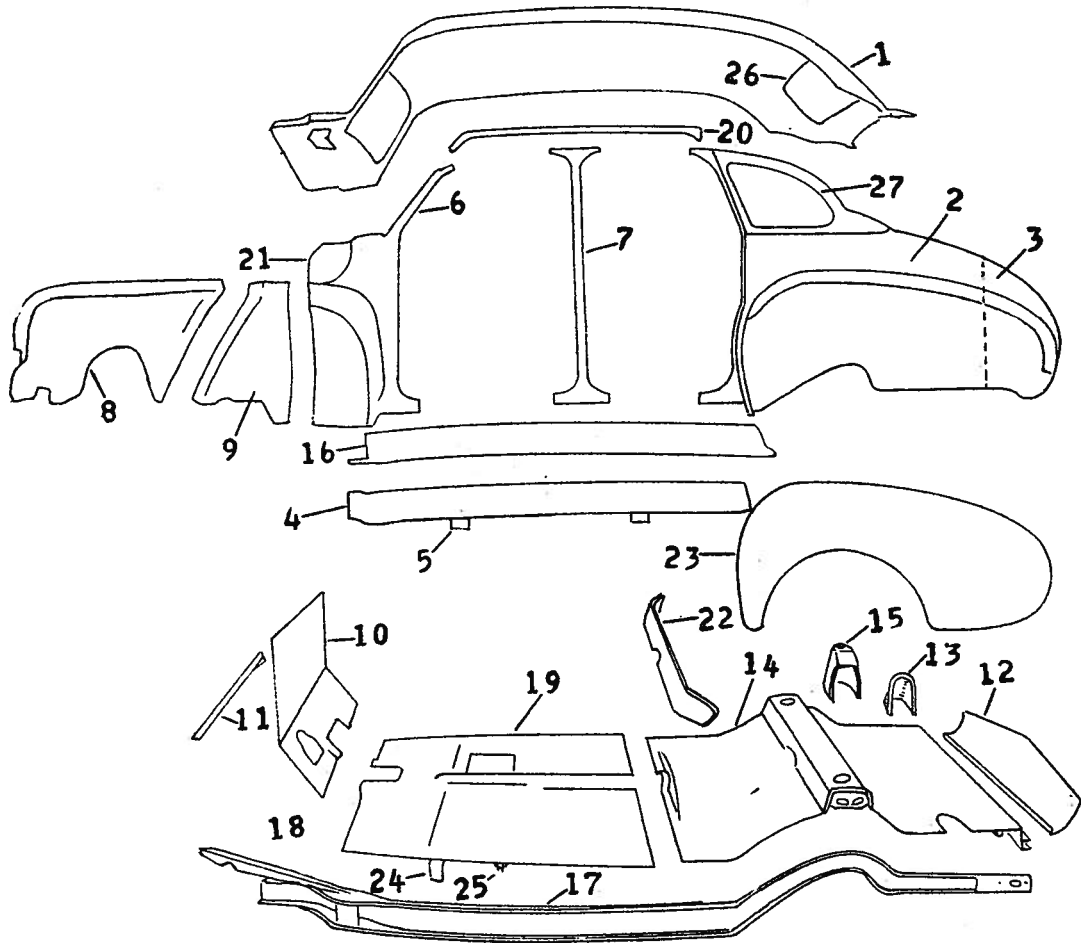
NASH 1946 to 1948 BODY PARTS

Series 60. ALL BODY STYLES

CAR BODY SHEET METAL 4 DOOR MODELS—

1946, 47, 48—60, 68, 70, 78

Item	Part No.	Description	Price
1		Roof panel.	
	4331793	—46, 47—60, 70..	63.65
	4331795	—46, 47—68, 78..	69.30
	4341538	—48—60, 70	63.65
	4341539	—48—68, 78	63.65
2		Rear quarter side panel.	
	4332913	—46, 47—60, 70..	51.80
	4332921	—46, 47—68, 78..	51.80
	4344387	—48—60, 70	51.80
	4344385	—48—68, 78	51.80
3	4332931	—Panel, side back end, 68, 78 only	15.95
4	4324699	—Apron, run. board.	6.60
5	4324735	—Brace, apron	5.50
6	4331957	—Front body pillar assy.	11.55
7	4325058	—Center body pillar.	17.00
8	4331805	—Whhouse. panel, front	7.20
9	4332589	—Whhouse. panel exten., rear	3.25
10	4331755	—Dash panel	20.00
11	4331767	—Brace	5.95
12	4335789	—Panel, rear deck, low.	8.50
	4331322	—Brace, rear deck lower panel	.44
13	4324549	—Filler neck cover..	.28
14	4329343	—Rear floor panel...	46.50
15	4332595	—Housing, shock absorber, 1946.	4.55
15	4339642	—Housing, shock absorber, 1947.	4.55
15	4341349	—Housing, shock absorber, 1948	4.55
16	4324735	—Side sill panel, body	5.55
17	4331723	—Floor panel, side sill, L.	30.35
18	4339308	—Extension, floor side sill panel.	2.15
19	4335722	—Front floor panel..	19.90
20	4325025	—Side roof rail panel, outer	1.75
20	4331947	—Side roof rail panel, inner	1.55
21	4331775	—Cowl side assy., 1946, 47	31.35
21	4341509	—Cowl side assy., 1948	31.35
22	4331934	—Panel, rear seat riser	4.70
23	3121005	—Fender, rear	22.50
	3106329	—Brace rod, fender, rear	.78
	3105654	—Welt, fender, rear.	.70
24	4324521	—Front cross sill assy.	4.55
25	4335721	—Rear cross sill assy.	2.15
26	4324689	—Frame assy., rear window, 60, 70.	5.25
26	4324668	—Frame assy., rear window, 68, 78.	5.25
27	4331813	—Frame assy., rear quart. window, 60, 70.	8.25
27	4331815	—Frame assy., rear quart. window, 68, 78.	8.25
	3109778	—Gas tank	16.50

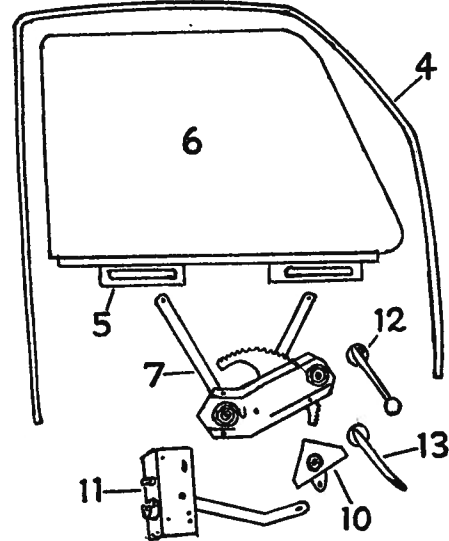
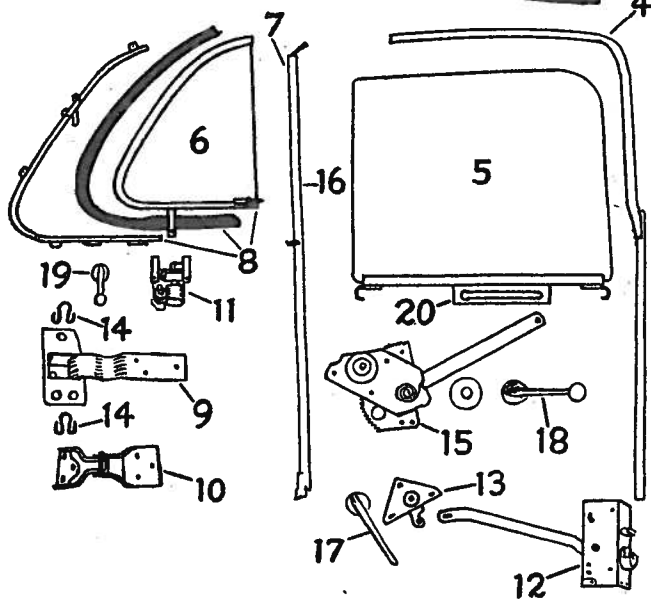
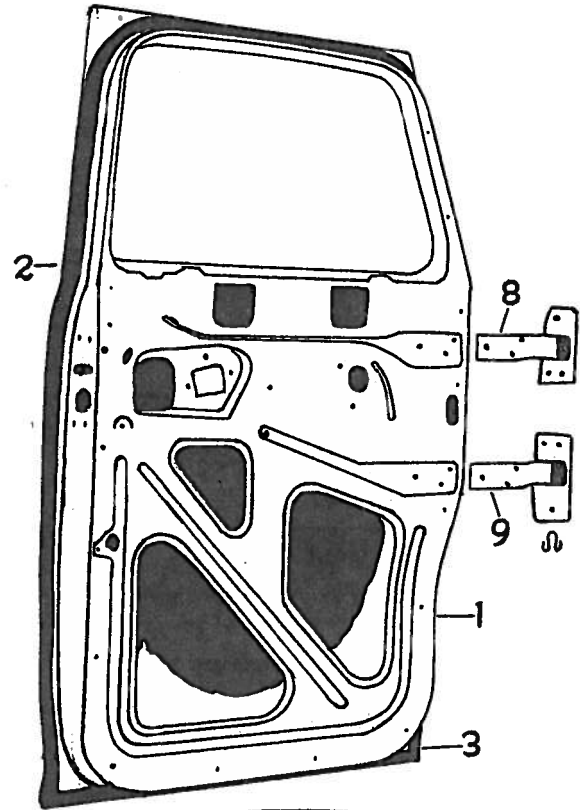
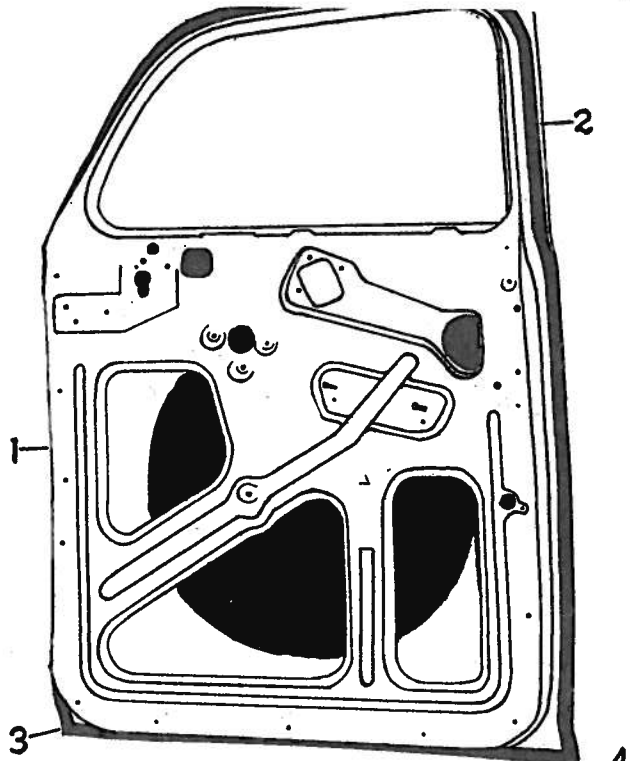


REAR QUARTER WINDOW ALL MODELS

Item	Part No.	Description	Price
1	4325150	—Glass, 63, 73.....
1	4325149	—Glass, 60, 70.....
1	4325148	—Glass, 68, 78.....
2	4335735	—Handle, L.....	.66
3	4329600	—Pivot, ventilator...	.33
4		Vent. assy.; W/frame, glass, Rub., W/strip & mold.:	
	4335685	—1946, 47—63.....	19.80
	4338151	—1946, 47—60.....	19.80
	4335677	—1946, 47—68.....	19.80
	4341625	—1948—63	23.40
	4341995	—1948—73	30.65
	4341625	—1948—60	19.80
	4341627	—1948—68	19.80
	4341975	—1948—70	28.05
	4341987	—1948—78	28.05
5	4325291	—W/strip, 60, 70.....
5	4325313	—W/strip, 68, 78.....
5	4325329	—W/strip, 63, 73.....
6	4325301	—Striker
7		Molding, W/pivot & locking brackets:	
	4338155	—1946, 47—60.....	5.25
	4335689	—1946, 47—63.....	5.25
	4335681	—1946, 47—68.....	5.25
	4341637	—1948—60	5.25
	4341641	—1948—63	5.25
	4341639	—1948—68	5.25
	4341983	—1948—70	5.25
	4341989	—1948—73	5.25
	4341991	—1948—78	5.25

BODY PARTS 1946 to 1948 NASH

Series 60. ALL BODY STYLES



FRONT DOOR & HARDWARE

4 DOOR MODELS—1946, 47, 48—60, 68, 70, 78

Item Part No.	Description	Price	Item Part No.	Description	Price
1	4334640—Door, frt., 1946, 47.	46.20	8	4325370—Frame assy., vent. (crank), 1946, 47, 48.	12.70
1	4343859—Door, frt., 1948.	48.20	9	4331862—Hinge, upper.	3.20
2	4325454—W/strip, top & sides.	1.85	10	4325356—Hinge, lower.	2.00
3	4325606—W/strip, lower.	.77	11	4325216—Reg., ventilator.	3.35
4	4325676—Channel, door glass slide.	2.00	12	4327704—Lock, door.	3.20
5	4327688—Glass, door.	8.80	13	4335891—Remote control.	3.35
6	4325711—Glass, ventilator.	2.75	14	4331887—Spring, hinge.	.44
7	4336444—Div. bar, vent. (crank type), 1946, 47.	3.80	15	4325504—Regulator dr. glass.	3.15
7	4341623—Div. bar, vent. (friction), 48—60, 68.	3.80	16	4325200—Channel, div. bar glass slide, up.	.55
7	4342003—Div. bar, vent., later, 47—70, 78.	3.80	16	4325199—Channel, div. bar glass slide, low.	.55
8	4336888—Frame assy., vent. (friction), 1946, 47.	12.70	17	4325638—Handle, remote control.	1.10
			18	4332095—Handle, regulator.	1.65
			19	4332093—Handle, vent. reg.	1.40
			20	4325414—Channel, lower.	1.75

REAR DOOR & HARDWARE

4 DOOR MODELS—1946, 47, 48—60, 68, 70, 78

Item Part No.	Description	Price	Item Part No.	Description	Price
1	4333207—Rear door, 1946, 47.	46.20	7	4325507—Regulator, door glass.	3.15
1	4343861—Rear door, 1948.	46.20	8	4331887—Hinge, upper.	2.00
2	4325457—W/strip; top & sides.	1.85	9	4331869—Hinge, lower.	2.75
3	4325609—W/strip, lower.	.66	10	4329685—Remote control.	1.50
4	4325679—Channel, door glass slide.	3.30	11	4330675—Lock, door.	3.20
5	4325418—Channel, lower.	1.15	12	4332095—Handle, regulator.	1.65
6	4331959—Glass, door.	12.20	13	4325638—Handle, remote control.	1.10

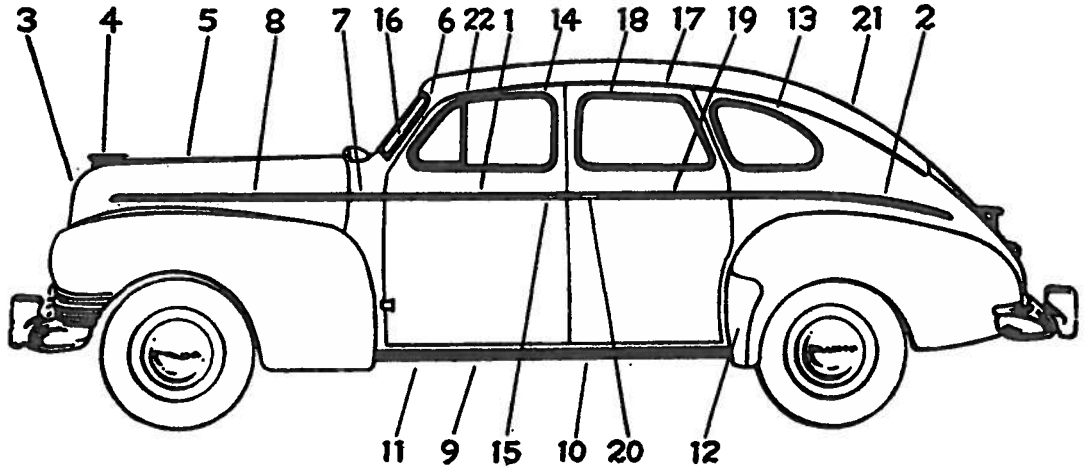
NASH 1946 to 1948 BODY PARTS

Series 60. ALL BODY STYLES

CAR BODY CHROME & TRIM MOLDINGS

4 DOOR MODELS—
1946, 47, 48—60, 68, 70, 78

Item	Part No.	Description	Price
1	4325180	Molding, frt. dr., upper belt, 46, 47.....	2.20
1	4341581	Molding, frt. dr., upper belt, 48.....	1.10
2	4325189	Molding, rear quart. belt, 46, 47.....	2.05
2	4341585	Molding, rear quart. belt, 48-60, 70.....	3.05
2	4341587	Molding, rear quart. belt, 48—68, 78.....	3.10
3	3121070	Name plate, hood, 46, 47.....	4.30
4	3121532	Ornament, hood, 46.....	5.60
4	3123151	Ornament, hood, 47, 48.....	8.70
5	3121055	Hood trim strip.....	1.95
6	4325393	Molding, W/shield reveal.....	2.70
6	4325192	Molding, divia., W/s.....	1.05
7	4325185	Molding, cowl.....	.72
8	3121038	Molding, hood, side, 46, 47.....	2.85
9	4325903	Molding, running board apron.....	3.75
10	4325905	Rubber, running board apron.....	1.95
11	4331927	Mat, side sill, rear door.....	2.20
11	4331925	Mat, side sill, frt. door.....	2.75
12	3111190	Guard, splash rear fender.....	3.45
13	4325819	Midg. reveal, rear quart. wndw., 46, 47—60.....	1.95



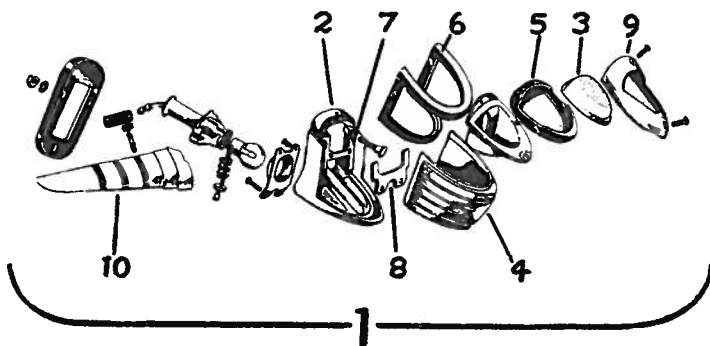
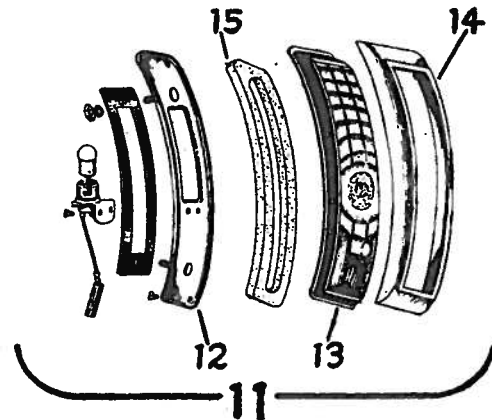
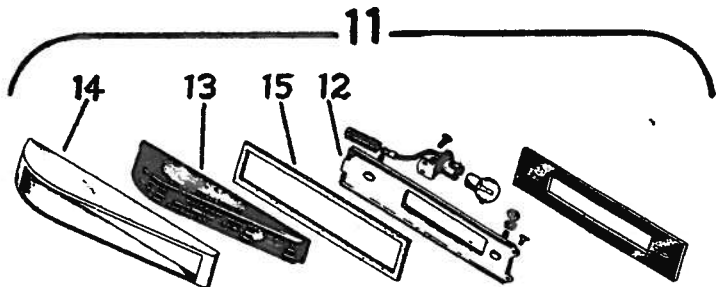
Item	Part No.	Description	Price
13	4325620	Midg., reveal, rear quart. wndw., 46, 47—68.....	1.95
14	4325814	Midg., reveal, frt. door, 1946, 47.....	2.10
15	4325714	Handle, frt. door, 1946, 47.....	2.90
15	4325926	Handle, frt. door, 1948.....	2.90
16	4325143	Glass, windshield.....	3.45
17	DRIP MOLDING: 4325278—1946, 47—60.....		2.90

Item	Part No.	Description	Price
18	4325817	Midg., reveal, rear door, 1946, 47.....	2.10
19	4325389	Midg., rear dr., up. belt, 1946, 47.....	2.20
19	4341583	Midg., rear dr., up. belt, 1948.....	2.20
20	4325715	Handle, rear door, 1946, 47.....	2.90

Item	Part No.	Description	Price
20	4233927	Handle, rear door, 1948.....	2.90
21	4325398	Midg., reveal, rear wndw., 68, 78.....	4.20
21	4325399	Midg., reveal, rear wndw., 60, 70.....	4.00
22	4333657	Midg., frt. dr. div. (chrome).....	1.95
22	4334949	Midg., frt. dr. div. (black).....	1.28

TAIL & LICENSE LIGHT ASSEMBLIES ALL MODELS

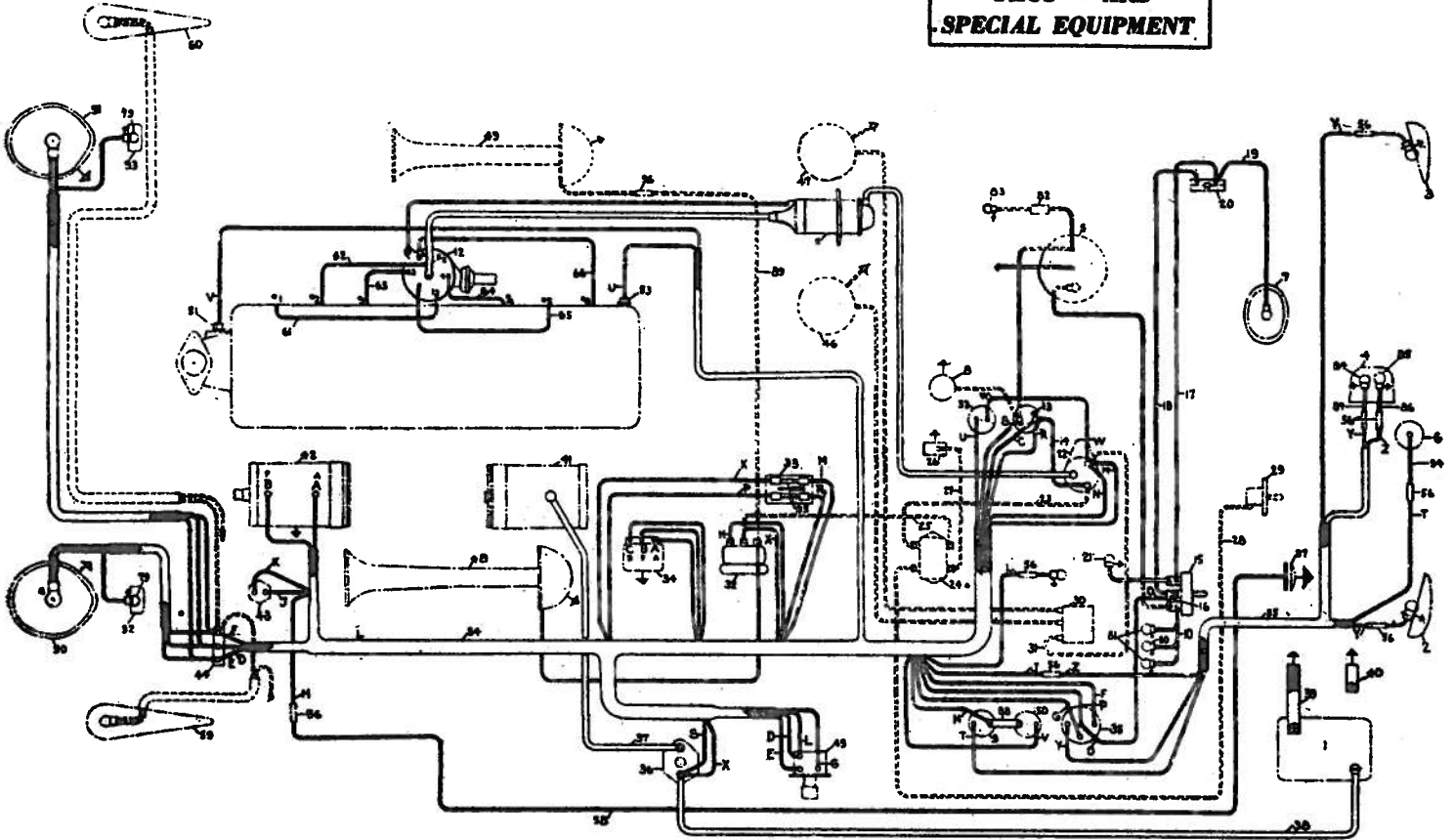
Item	Part No.	Description	Price
1	3109687	Stop & license lamp, com.....	6.00
2	3111007	Body, license lamp.....	3.90
3	3111003	Lens, white.....	.40
4	3111004	Lens, red.....	.90
5	3111017	Gasket, lens, license lamp.....	.22
6	3111010	Gasket, lens, stop lamp.....	.39
7	3111011	Partition, between bulbs.....	.39
8	3111012	Gasket, plate.....	.11
9	3111018	Cover, door.....	1.60
10	3109772	Ornament, left side.....	1.60
11	3109445	Tail lamp, regular, 68, 78 only.....	4.95
11	3110853	Tail lamp, W/sig., direct.....	4.95
11	3110855	Tail lamp, W/sig., direct, 68, 78 only.....	4.95
12	3110993	Body, 68, 78 only.....	.99
12	3110994	Body, 68, 78 only.....	.99
13	3107194	Lens.....	1.45
13	3107983	Lens, 68, 78 only.....	1.45
14	3107200	Door.....	2.10
14	3107981	Door, 68, 78 only.....	2.10
15	3107192	Gasket, lens, 60, 63, 70, 73.....	.20
15	3107996	Gasket, lens, 68, 78.....	.20



WIRING 1946 to 1948 NASH

Series 60. ALL BODY STYLES

**LINES INDICATED
THUS----ARE
SPECIAL EQUIPMENT**



- | Item No. | Name |
|----------|---|
| 1 | Battery |
| 2 | Tail light—left |
| 3 | Tail light—right |
| 4 | License plate and stop light lamp |
| 5 | Clock (spec. equip.) |
| 6 | Gasoline gauge—tank unit |
| 7 | Dome Light |
| 8 | Cigar lighter (spec. equip.) |
| 9 | Gasoline gauge—dash unit |
| 10 | Instrument panel light harness |
| 11 | Ignition coil |
| 12 | Distributor |
| 13 | Ammeter |
| 14 | Ammeter to ign. sw. wire (not used with O. D.) |
| 15 | Dimmer and inst. panel light switch |
| 16 | Junction terminal |
| 17 | Inst. panel sw. to post sw.—green (in body) |
| 18 | Inst. panel sw. to post sw.—red (in body) |
| 19 | Post sw. to dome light wire—green (in body) |
| 20 | Post switch |
| 21 | Ign. switch light bulb |
| 22 | Ignition sw. lock |
| 23 | Ign. sw. O. D. relay wire (spec. equip.) |
| 24 | Overdrive relay (spec. equip. with O. D.) |
| 25 | O. D. relay to horn relay, wire (spec. equip. with O. D.) |
| 26 | O. D. switch (spec. equip. with O. D.) |
| 27 | O. D. sw. to O. D. relay wire (spec. equip. with O. D.) |
| 28 | O. D. relay to solenoid wire (spec. equip. with O. D.) |
| 29 | O. D. solenoid (spec. equip. with O. D.) |
| 30 | Defroster switch (spec. equip.) |
| 31 | Defroster sw. to ign. sw. wire (spec. equip.) |
| 32 | Horn relay |
| 33 | Fuse block |
| 34 | Voltage regulator |
| 35 | Light switch |
| 36 | Starter switch |
| 37 | Starter switch to st. motor cable |
| 38 | Starter sw. to battery cable |
| 39 | Battery to body ground cable |
| 40 | Body to unit power plant ground cable |
| 41 | Starting motor |
| 42 | Generator |
| 43 | Stop light switch |
| 44 | Head light junction block |
| 45 | Foot dimmer switch |
| 46 | Defroster motor—left (spec. equip.) |
| 47 | Defroster motor—right (spec. equip.) |

- | Item No. | Name |
|----------|---------------------------------------|
| 48 | Horn—left—std. |
| 49 | Horn—right (spec. equip.) |
| 50 | Temperature gauge—dash unit |
| 51 | Temperature gauge—engine unit |
| 52 | Oil gauge—dash unit |
| 53 | Oil gauge—engine unit |
| 54 | Main wiring harness |
| 55 | Tail and stop light harness (in body) |
| 56 | 2 wire connector |
| 57 | Horn button |
| 58 | Steering gear horn wire |
| 59 | Parking light—left (spec. equip.) |
| 60 | Parking light (spec. equip.) |
| 61 | Ign. wire No. 1 |
| 62 | Ign. wire No. 2 |
| 63 | Ign. wire No. 3 |
| 64 | Ign. wire No. 4 |
| 65 | Ign. wire No. 5 |
| 66 | Ign. wire No. 6 |
| 67 | Ign. wire No. 8 |
| 68 | Ign. wire No. 8 |
| 69 | Parking lamp bulb |

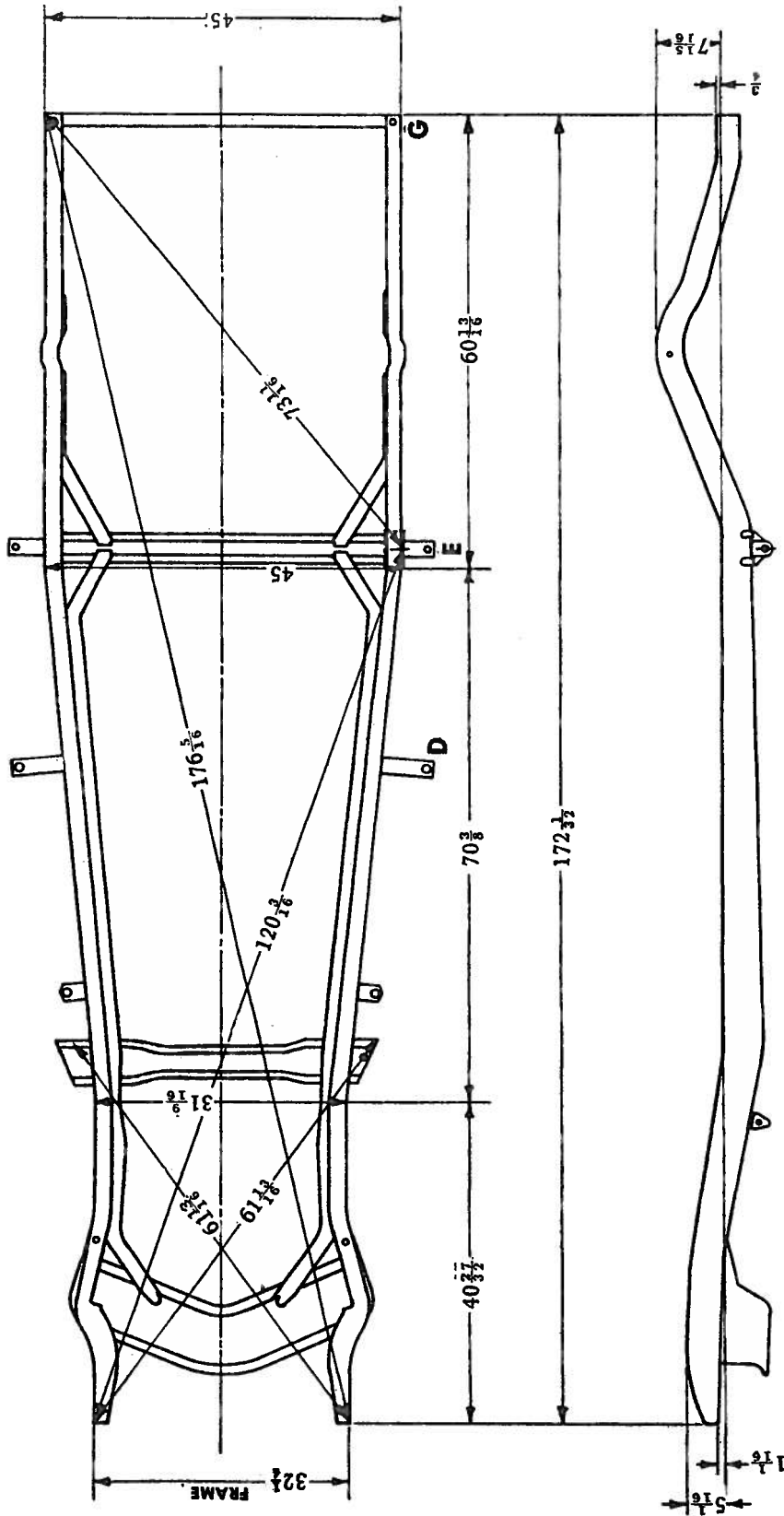
- | Wire | Color | Size |
|------|-----------------------------|------|
| A-A | Orange with 4 black tracers | 10 |
| B-B | Green with 2 white tracers | 14 |
| C-O | Red with 4 white tracers | 10 |
| D-D | Brown with 3 black tracers | 12 |
| E-E | White with 3 black tracers | 12 |
| F-F | Red with 1 white tracer | 12 |
| G-G | Black with 3 white tracers | 16 |
| H-H | Black | 18 |
| J-J | Green with 1 white tracer | 18 |
| K-K | Green with 1 white tracer | 16 |
| L-L | White | 16 |
| M-M | Black with 1 white tracer | 16 |
| N-N | Black with 1 white tracer | 16 |
| O-O | Yellow with 1 black tracer | 16 |
| P-P | Green with 3 white tracers | 12 |
| R-R | Red with 3 white tracers | 12 |
| S-S | Oak with 4 black tracers | 10 |
| T-T | Yellow and black | 18 |
| U-U | Black with 1 green tracer | 16 |
| V-V | Black with 1 red tracer | 16 |
| W-W | Black with 1 white tracer | 16 |
| X-X | Black with 4 white tracers | 10 |
| Y-Y | Blue | 18 |
| Z-Z | Green with 1 white tracer | 16 |

- | Item No. | Name |
|----------|---|
| 80 | Speedometer light bulb |
| 81 | Instrument panel light bulb |
| 82 | Package compartment light switch |
| 83 | Package compartment light bulb |
| 84 | License plate light bulb |
| 85 | Stop light bulb |
| 86 | Stop light socket to connector wire |
| 87 | License light socket to connector wire |
| 88 | Bus bar—gasoline gauge to temperature gauge |
| 89 | Horn relay to connector wire (spec. equip.) |
| 90 | Head lamp—left
With std. parking lamp
With deluxe parking lamp |
| 91 | Head lamp—right
With std. parking lamp
With deluxe parking lamp |
| 92 | Parking lamp—left (std. equip.) |
| 93 | Parking lamp—right (std. equip.) |
| 94 | Connector to gas gauge wire (tank unit) |
| 95 | Fuse—30 amps. |

- | Size | Use of Wire |
|------|--|
| 10 | Generator to voltage regulator |
| 14 | Generator field to voltage regulator |
| 10 | Ammeter to voltage regulator |
| 12 | Dimmer switch to junction block (headlamp high beam) |
| 12 | Dimmer switch to junction block (headlamp low beam) |
| 12 | Light switch to junction block (parking light) |
| 16 | Light switch to dimmer switch |
| 18 | Horn relay to connector |
| 16 | Stop light switch to connector |
| 16 | Fuse block to stop light switch |
| 16 | Dimmer switch to connector (high beam indicator) |
| 16 | Fuse block to ignition switch |
| 16 | Gas gauge to ignition switch |
| 12 | Light switch to panel light switch |
| 12 | Fuse block to light switch |
| 12 | Ammeter to fuse block |
| 10 | Ammeter to starter switch |
| 16 | Gas gauge—dash unit to connector |
| 16 | Oil pressure indicator to engine |
| 16 | Heat indicator to engine |
| 16 | Ignition to oil gauge feed wire |
| 10 | Starter switch to horn relay |
| 18 | Light switch to tail and license plate lamp connectors |
| 16 | Stop light connector to connector |

NASH 1946 to 1948 FRAME

Series 60. ALL BODY STYLES



46-47-4860 Series Frame Straightening Dimensions.

