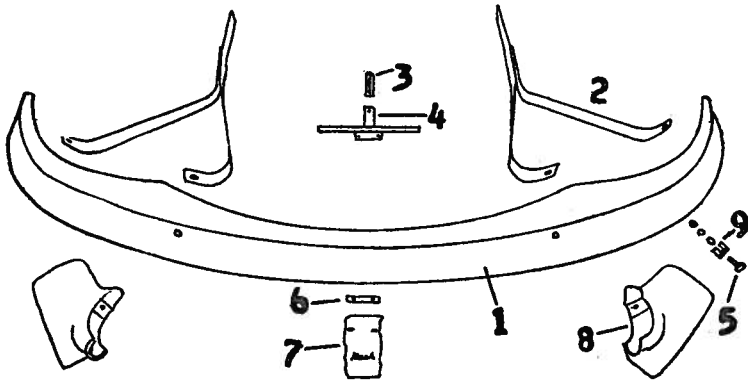


NASH 1949 BODY PARTS

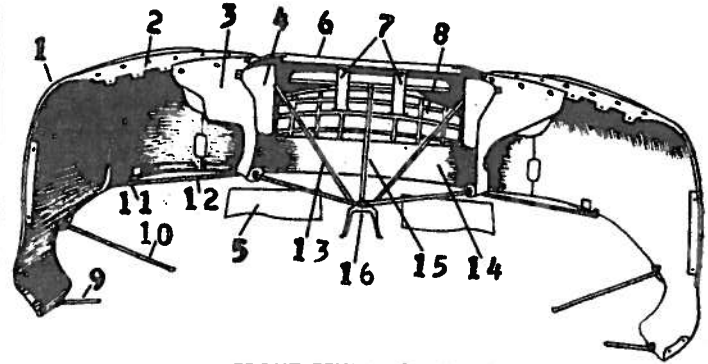
Series 40. ALL BODY STYLES



FRONT BUMPER ASSEMBLY

ALL MODELS

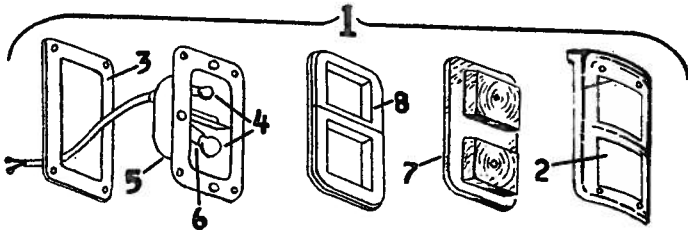
Item Part No.	Description	Price	Item Part No.	Description	Price
1 3127204	Bumper, impact bar, W/crank	\$9.95	5 3123274	Bolt, bumper to back bar	.20
1 3123260	Bumper, impact bar, W/O crank	\$9.95	6 3125439	Spacer, name plate	.08
2 3123261	Back bar, L.	4.00	7 3125443	Name plate	1.35
3 3109667	Clamp, lic. plate	.99	8 3125812	Guard, bmpr., vert.	6.65
4 3126486	Brkt., license plate	.70	9 3111176	Shim, bar nut	.06



FRONT FENDER & GRILLE

ALL MODELS

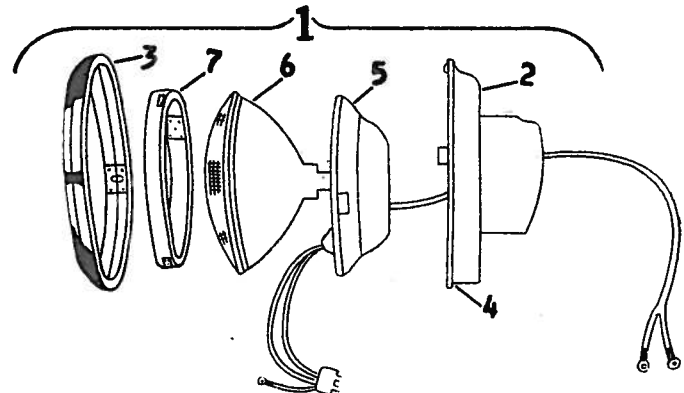
Item Part No.	Description	Price	Item Part No.	Description	Price
1 3124403	Fender	30.00	10 3125394	Brace rod, fender, rear long	1.00
2 3123021	Rubber bumper, top to hood	.04	11 3125868	Bumper support, end, front	.30
3 4337515	Fender apron, front half	9.75	12 3125049	Brace rod, fender, front, lower	1.00
3 4340018	Fender apron, rear half	14.25	13 3125409	Brace rod, fender, front, upper	.90
4 3125544	Air baffle, side	1.05	14 3124402	Grille panel, rad.	14.00
5 3127242	Air bffe., low., bot.	2.00	15 3125406	Brace rod, brkt. to hood lock	.60
5 3125690	Air bffe., low., left	1.50	16 3125402	Bracket	1.75
6 3125073	Tie plate	5.85			
7 3113380	Horn bracket	.75			
8 3123013	Grille, rad.	39.50			
9 3125050	Brace rod, low. fender, rear short	.30			



PARKING & DIRECTIONAL SIGNAL LAMP

ALL MODELS

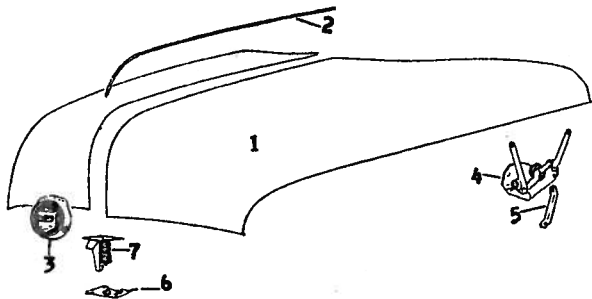
Item Part No.	Description	Price	Item Part No.	Description	Price
1 3123858	Park. lamp assy.	10.50	4 28540	Bulb, parking	.09
1 3123860	Parking lamp W/O directional signal	8.60	5 3112934	Housing	1.80
2 3123074	Door	3.40	6 3112936	Socket	3.25
3 3123064	Gasket, door	.20	7 3112935	Lens	1.50
4 3110624	Bulb, directional	8 3112937	Gasket	.60



HEADLAMP ASSEMBLY

ALL MODELS

Item Part No.	Description	Price	Item Part No.	Description	Price
1 3123421	Headlamp assy.	17.75	6 3102722	Bulb assembly	1.30
2 3113088	Body	4.45	7 3108190	Retaining ring	.10
3 3123420	Door	2.50	3102862	Adjusting screw	.11
4 3127010	Gasket, door	.30	3110690	Adjusting nut	.10
5 3104926	Adjusting shell	1.50	3105193	Adjusting spring	.15



HOOD ASSEMBLY

ALL MODELS

Item Part No.	Description	Price
1 3113039	Hood, left side	20.00
2 3123076	Trim strip	1.76
3 3125039	Name plate	4.80
4 3113038	Hood hinge	3.50
5 3123078	Hood hinge brace	.30
6 3125598	Hood lock plate, lower	.85
7 3125572	Hood lock plate	2.05

WINDSHIELD

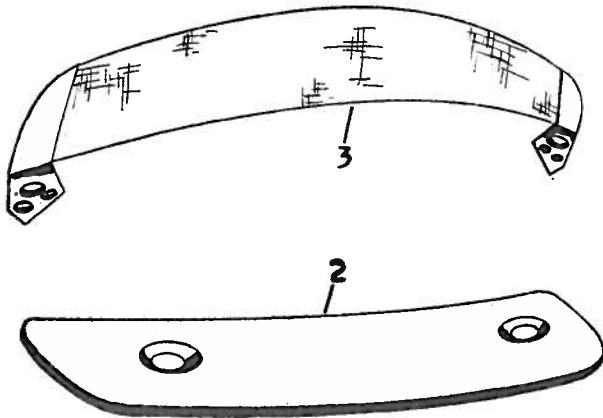
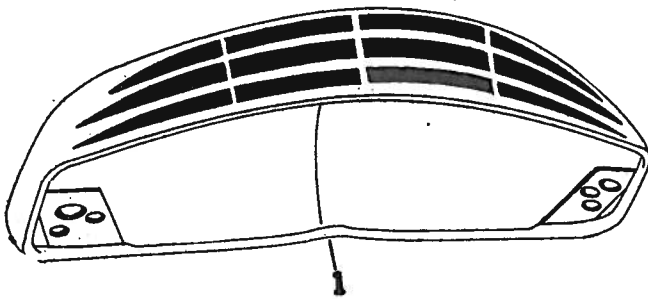
ALL MODELS

Item Part No.	Description	Price
1 4339002	Glass
2 4340912	Channel, (rub.) 4923, 29, 53, 59, 28, 58	4.45
2 4345063	Channel, (rub.) 4943, 49, 48	4.45
3 4339643	Mldg., frame, fin.	8.00
4 4340971	Molding, reveal	5.20



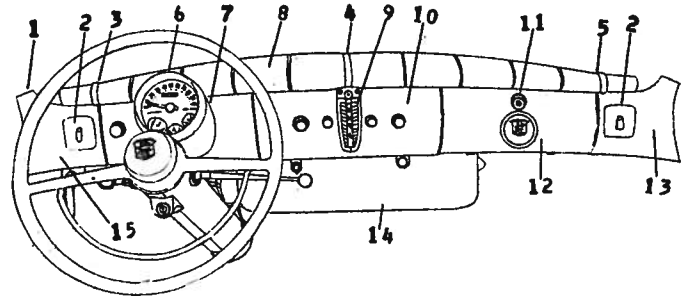
BODY PARTS 1949 NASH

Series 40. ALL BODY STYLES



COWL VENT ASSEMBLY
ALL MODELS

Item Part No.	Description	Price
1 4339127	Vent. assy.	10.00
2 4339374	Cover	2.00
3 4340480	Screen	2.40
4340851	Gasket	.06

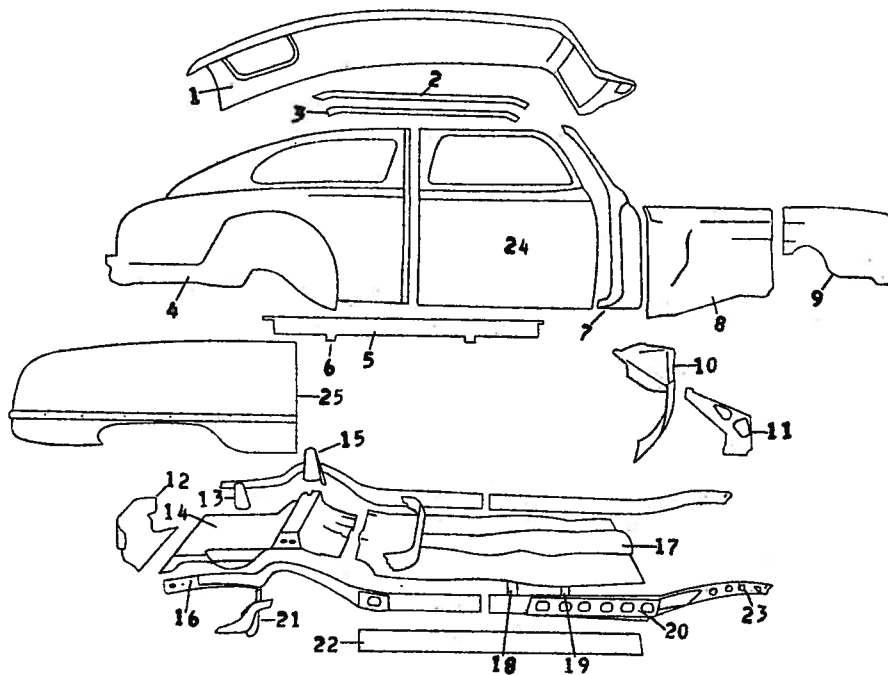


INSTRUMENT PANEL
ALL MODELS

Item Part No.	Description	Price	Item Part No.	Description	Price
1 4476015	Panel	15.00	9 3124447	Escutcheon, radio panel	.80
2 4343847	Panel, ash recvr.		9 3124445	Escutcheon, W/O radio	1.35
3 4340979	Molding, top overlay, left	.50	10 4340276	Radio pan. overlay	7.10
4 4340978	Molding, top overlay, center	.50	11 4475043	Lock, glove box	1.95
5 4340980	Molding, top overlay, right	.50	12 4340685	Door, glove box	
6 3125806	Instrument cluster housing	2.30	13 4343730	Molding overlay, end, right	8.95
7 4340274	Molding overlay, instrument, plastic, L.	8.95	14 3126976	Heat deflector, wthr. eye	4.00
8 4340378	Molding overlay, instrument, top	8.95	15 4343729	Molding overlay, end, left	8.95

RADIATOR & SUPPORT BRACKETS
ALL MODELS
Not illustrated

Part No.	Description	Price
3123834	Radiator	65.00
3125511	Frnt. rad., low. sup.	3.75
3125509	Rear rad., low. sup.	1.80



CAR BODY SHEET METAL
2-DOOR MODELS—
4923, 29, 43, 49, 53, 69

Item Part No.	Description	Price
1 4338020	Roof panel	68.00
2 4337301	Roof rail pan., out.	1.60
3 4337305	Roof rail pan., in.	1.85
4 4475018	Rear qtr. side pan.	66.80
5 4337867	Run. board apron.	7.95
6 4342533	Brace, apron to sill, L.	.20
7 4337157	Front body pillar assy.	19.00
8 4340018	Wheelhouse panel, front (rear)	14.25
9 4337515	Wheelhouse panel, front (front)	9.75
10 4475014	Dash panel	25.00
11 4475030	Brace, dash to sill	7.95
12 4337632	Pan., rear deck, low.	8.50
13 4338022	Gas tank filler neck	.70
14 4475012	Rear floor panel.	37.50
15 4338922	Hsng., shk absbrs.	4.50
16 4475003	Floor panel, side rear L.	14.00
17 4475011	Front floor panel.	40.00
18 4337146	Rear cross sill, front floor pan.	3.90
19 4337144	Front cross sill, front floor pan.	3.50
20 4475005	Floor panel, side sill, front L.	25.95
21 4475009	Stab. bar bracket.	
22 4338428	Panel, body side sill, L.	5.55
23 4340031	Front axle support bracket	2.75
24 4475020	Front door, L.	44.50
25 3113086	Rear fender	28.00
3127146	Baffle	1.50
3123507	Gas tank	16.50

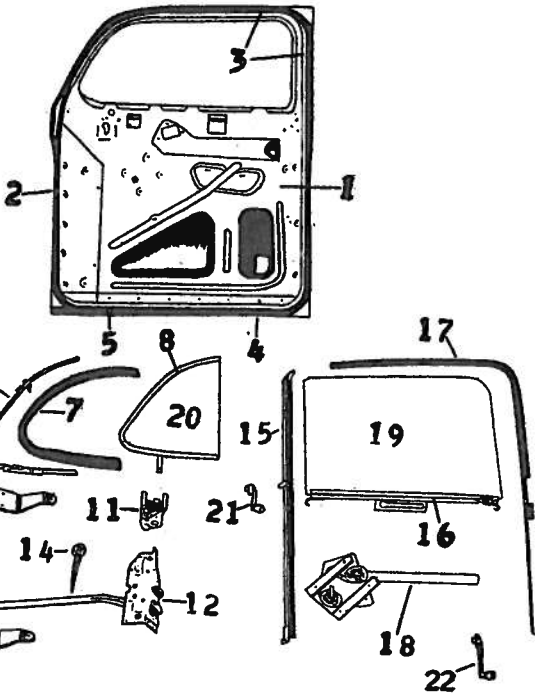
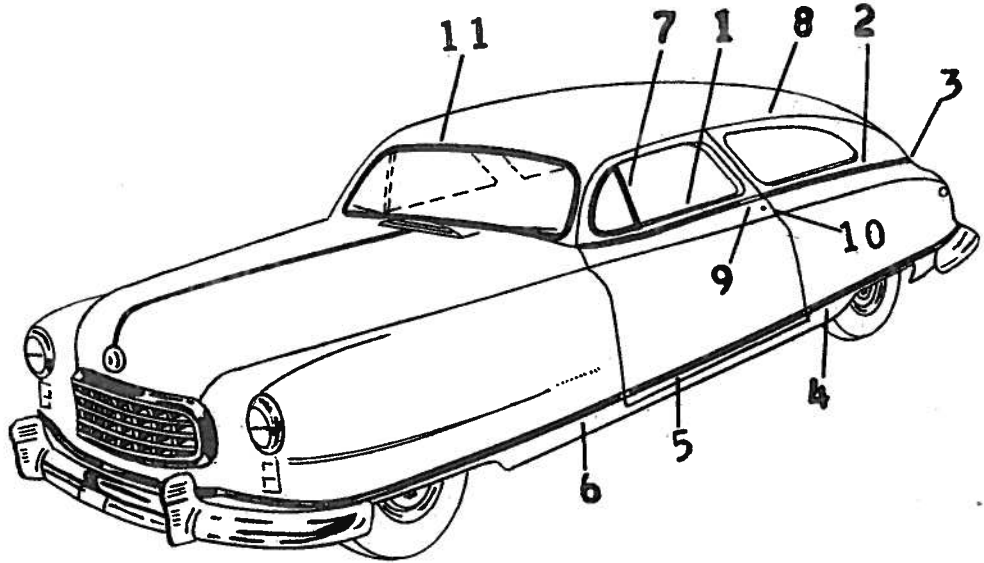
NASH 1949 BODY PARTS

Series 40. ALL BODY STYLES

CAR BODY CHROME & TRIM MOLDINGS

2-DOOR MODELS—
4923, 29, 43, 49, 53, 59

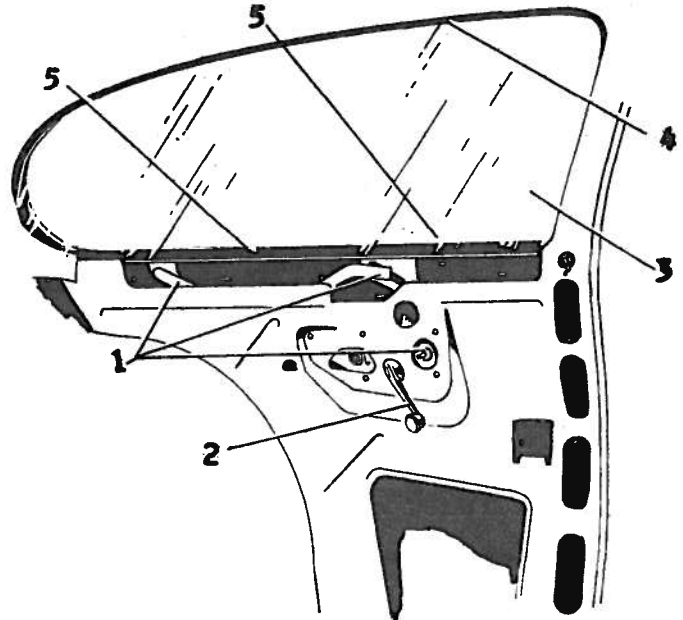
Item	Part No.	Description	Price
1	4338043	—Midg., dr., up. belt	1.75
2	4338059	—Midg., R. qtr. belt	2.30
3	4338055	—Molding, belt, rear deck cover	1.00
4	4338067	—Molding, rear fender belt	3.55
5	4338057	—Midg., dr., low. belt	2.30
6	3123016	—Molding, front fender belt	2.95
7	4338545	—Molding, door vent. divis. bar	3.80
8	4340433	—Molding, drip	2.00
9	4341522	—Handle, door	2.90
10	4475073	—Lock, door	3.75
11	4340971	—Molding, windshield, reveal	5.20



FRONT DOOR & HARDWARE

2-DOOR MODELS—
4923, 29, 43, 49, 53, 59

Item	Part No.	Description	Price	Item	Part No.	Description	Price
1	4475020	—Door	57.50	12	4475073	—Lock, door	3.75
2	4340900	—W/strip., hinge side	.95	13	4339042	—Remote control	1.30
3	4340306	—W/strip, top & sides	2.25	14	4335638	—Handle, rem. cntrl.	.83
4	4343991	—W/strip., low. out.	1.80	15	4338545	—Channel, dr. glass	3.80
5	4340028	—W/strip., low. in.	1.00	16	4339659	—Channel, bottom	3.50
6	4348015	—Channel, vent.	2.45	17	4339345	—Channel, side	2.60
7	4348025	—W/strip., vent.	1.45	18	4338988	—Regltr., dr. wind.	5.60
8	4475071	—Frame & glass, vent.	10.00	19	4339006	—Glass, door	...
9	4337170	—Hinge, up., door	3.75	20	4338547	—Glass, vent.	...
10	4337183	—Hinge, low., door	3.50	21	4341395	—Handle, regltr., vent.	1.40
11	4338551	—Regulator, vent.	3.35	22	4344925	—Handle, regltr., door window	1.65



REAR QUARTER WINDOW ASSEMBLY

2-DOOR MODELS—
4923, 29, 43, 49, 53, 59

Item	Part No.	Description	Price	Item	Part No.	Description	Price
1	4339077	—Rgltr., 49-29, 49, 59	4.95	4	4339357	—channel, glass shld	3.75
1	4345605	—Rgltr., 49-23, 43, 53	4.95	5	4340016	—W/strip., glass, molding side	1.00
2	4344925	—Handle, reg., 49-29, 49, 59	1.30	5	4340704	—W/strip., glass, body side	.85
2	4345357	—Handle, reg., 49-23, 43, 53	1.30		4337871	—Frame assy.	8.55
3	4345315	—Glass	...				

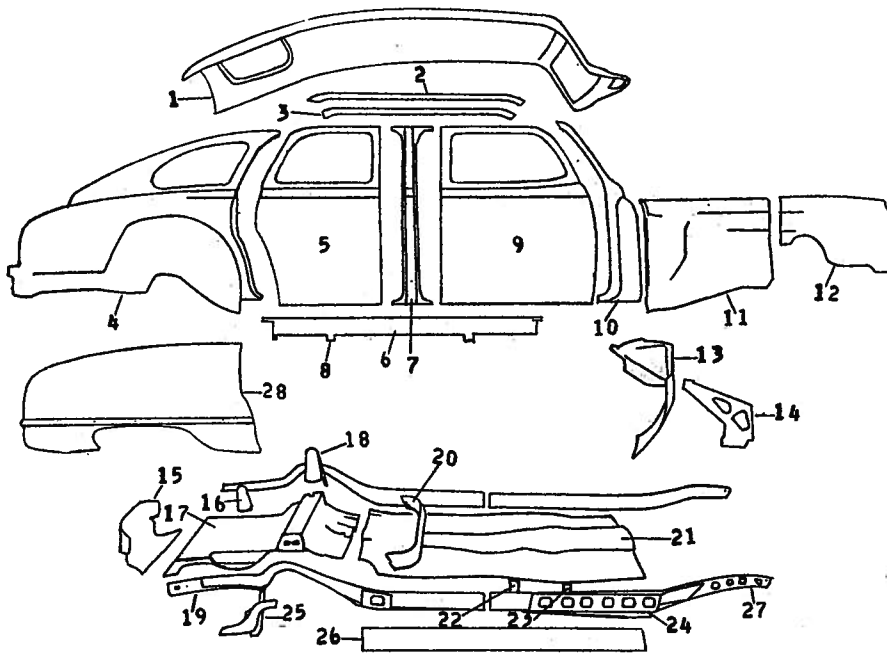
REAR WINDOW SHELF ASSEMBLY

Not illustrated
ALL MODELS

Part No.	Description	Price
4475002	—Shelf assy.	16.90
4340240	—Shelf support	.25
4340435	—Brace	.50

BODY PARTS 1949 NASH

Series 40. ALL BODY STYLES

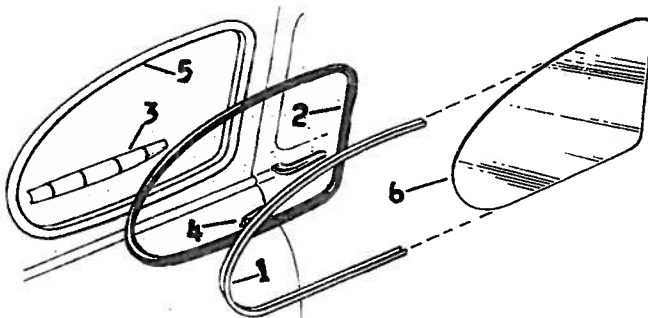
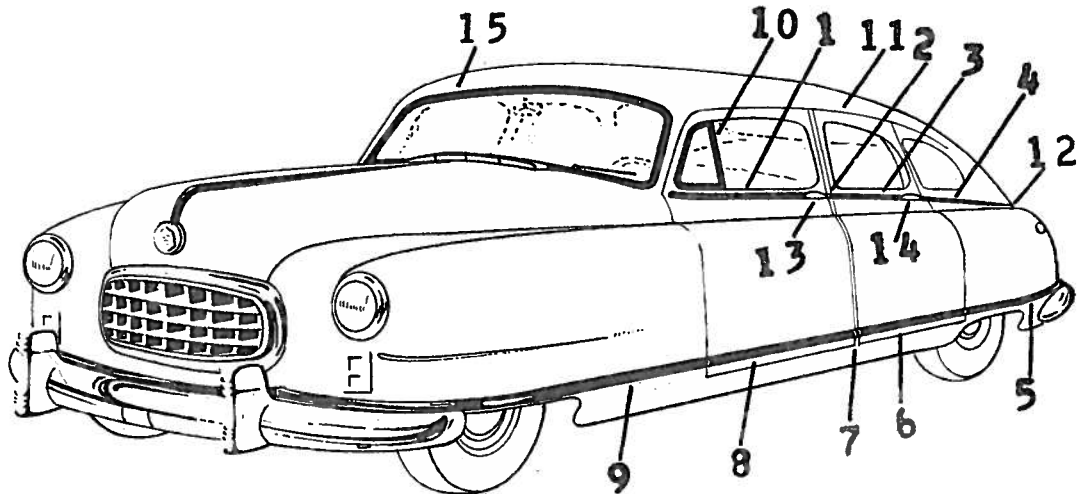


CAR BODY SHEET METAL

4-DOOR MODELS—4928, 48, 58		
Item Part No.	Description	Price
1	4337060—Roof panel	69.30
2	4337299—Roof rail pan., out.	2.00
3	4337303—Roof rail pan., in.	2.25
4	4475016—R. qtr. side panel	51.80
5	4475024—Rear door, L.	39.50
6	4337865—Run. board apron	7.95
7	4475000—Center pillar	17.00
8	4342533—Brace, apron to sill, L.	.20
9	4475022—Front door, L.	39.50
10	4337157—Front body pillar assy.	19.00
11	4340018—Wheelhouse panel, front (rear)	14.25
12	4337515—Wheelhouse panel, front (front)	9.75
13	4475014—Dash panel	25.00
14	4475930—Brace, dash to sill	7.95
15	4337632—Pan., rear dk. low.	5.50
16	4338022—Gas tank filler neck	.70
17	4475012—Rear floor panel	37.50
18	4338922—Hang. shk. absbr.	4.50
19	4475003—Floor panel, side sill, rear L.	14.00
20	4338039—Riser panel, seat	5.10
21	4475011—Front door panel	40.00
22	4337146—Rear cross sill, front floor panel	3.90
23	4337144—Front cross sill, front floor panel	3.50
24	4475005—Floor panel, side sill, front L.	25.95
25	4475000—Stab. bar bracket
26	4337152—Panel, body side sill, L.	6.50
27	4340031—Front axle support bracket	2.75
28	3113084—Rear fender	25.00
	3127147—Baffle	1.50
	3123507—Gas tank	16.50

CAR BODY CHROME & TRIM MOLDINGS

4-DOOR MODELS—4928, 48, 58		
Item Part No.	Description	Price
1	4338045—Midg., F. door, up. belt	1.45
2	4338049—Midg., C. pillar, up. belt	.30
3	4338047—Midg., R. door, up. belt	1.25
4	4338051—Midg., R. qtr. belt	2.30
5	4338065—Midg., R. fndr. belt	3.25
6	4338061—Midg., R. door, low. belt	1.40
7	4338063—Midg., C. pillar, low. belt	.40
8	4338059—Midg., F. dr., low. belt	1.75
9	3123018—Midg., F. fndr. belt divis. bar	3.80
10	4338545—Midg., dr. vent.	2.00
11	4339134—Midg., drip	1.00
12	4338055—Midg., belt, R. deck cover	2.90
13	4341522—Handle, L., F. & R.	3.75
14	4475073—Lock, dr., F. & R.	5.20
15	4340971—Midg., windshield, reveal

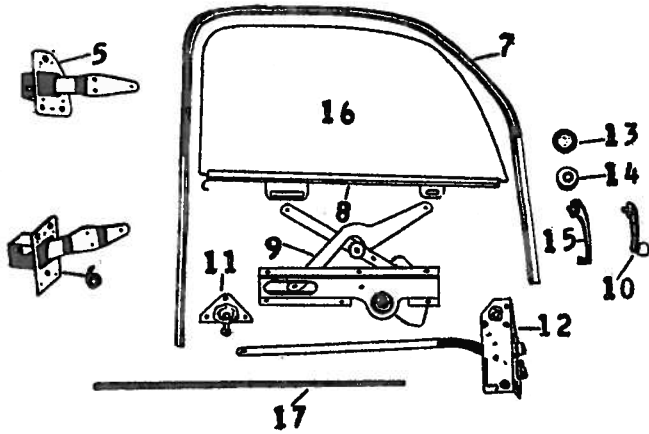


REAR QUARTER VENTILATOR ASSEMBLY

4-DOOR MODELS—4928, 48, 58		
Item Part No.	Description	Price
1	4339158—Frame	2.35
2	4339156—W/strip	3.75
3	4343843—Overlay	3.35
4	4335734—Handle	.66
5	4339166—Frame, vent., 28, 48 (rear)	3.45
5	4345288—Frame, vent., 58 (rear)	8.50
	4337869—Frame assy.	8.25
6	4339161—Glass

NASH 1949 BODY PARTS

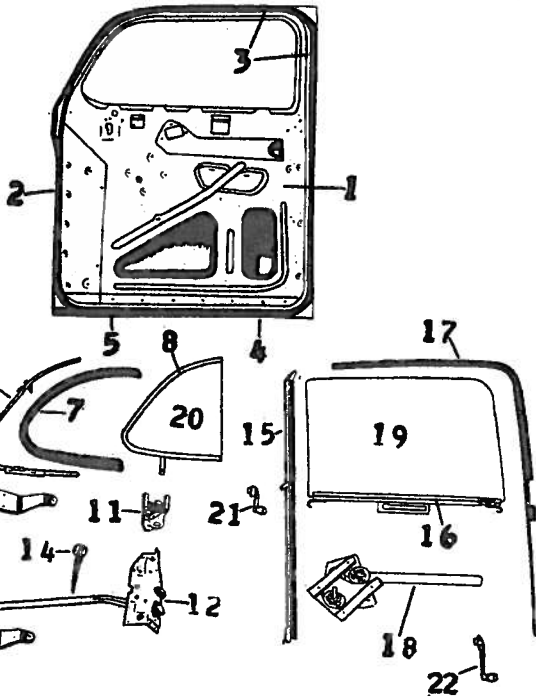
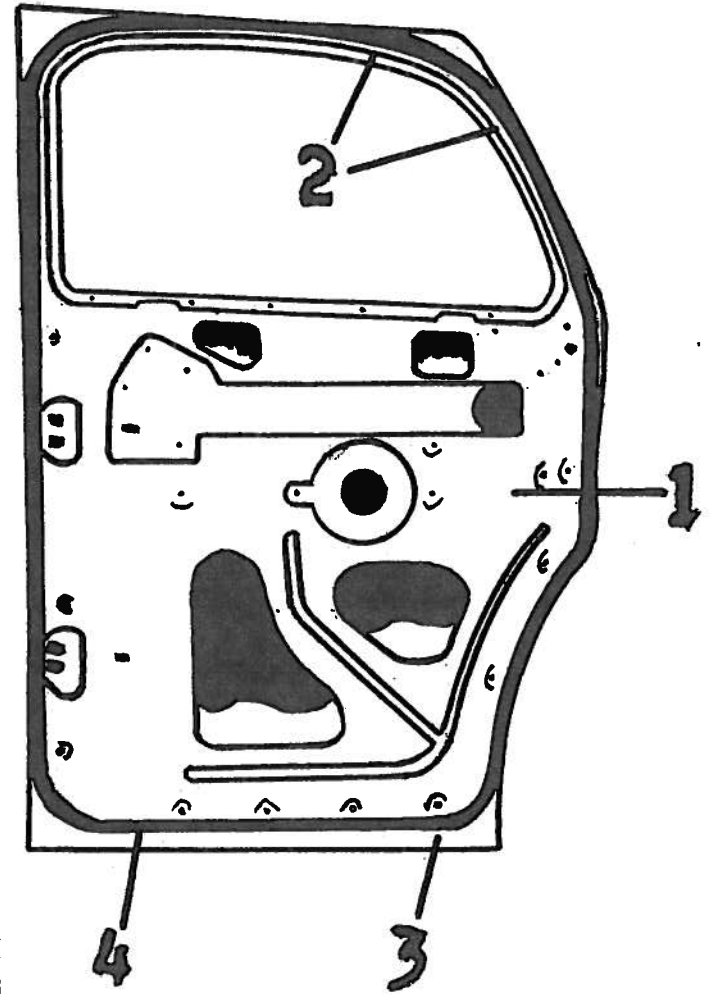
Series 40. ALL BODY STYLES



REAR DOOR & HARDWARE

4-DOOR MODELS—4928, 48, 58

Item	Part No.	Description	Price
1	4475024	Rear door	48.50
2	4342420	W/strip., top & sides	2.10
3	4343995	W/strip., low., out.	1.20
4	4340030	W/strip., low., in.	.40
5	4337189	Hinge, upper	3.40
6	4337179	Hinge, lower	3.40
7	4339349	Chan., glass slide	2.85
8	4339657	Channel, lower	2.25
9	4339970	Regltr., dr. wind.	5.00
10	4344925	Handle, regltr., dr. window	1.30
11	4340373	Remote control	.95
12	4475073	Lock, door	3.75
	4335002	Fiber washer	.11
	4335000	Rubber washer	.11
13	4339393	Escutcheon base	.35
14	4344928	Escutcheon	.35
15	4335638	Handle, rem. cntrl.	.83
16	4339298	Glass, door
17	4340707	W/strip., glass, body side	.30



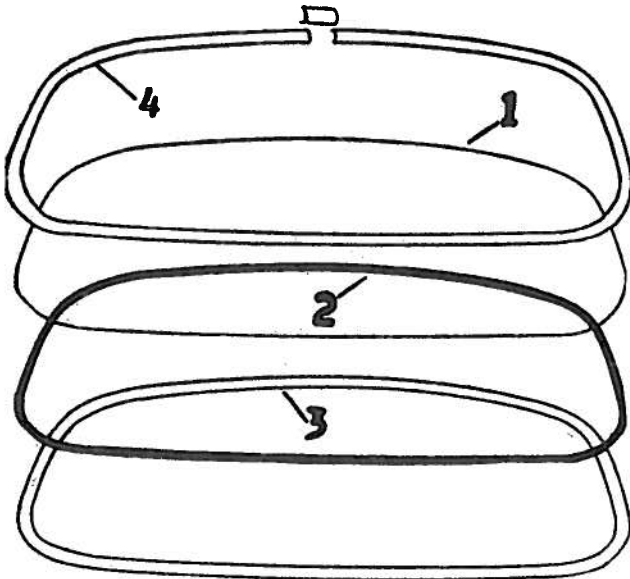
FRONT DOOR & HARDWARE

4-DOOR MODELS—4928, 48, 88

Item	Part No.	Description	Price
1	4475022	Front door	48.50
2	4340900	W/strip., hinge side	.95
3	4340303	W/strip., top & sides	2.05
4	4343993	W/strip., low., out.	1.50
5	4340029	W/strip., low., in.	.75
6	4348015	Channel, vent.	2.45
7	4348025	W/strip., vent.	1.45
8	4475071	Frame & glass, vent.	10.00
9	4337170	Hinge, up., dr.	3.75
10	4337183	Hinge, low., dr.	3.50
11	4338551	Regulator, vent.	3.35
12	4475073	Lock, door	3.75
13	4339042	Remote control	1.30
14	4335638	Handle, rem. cntrl.	.83
15	4338545	Channel, dr. glass div. bar	3.80
16	4339655	Channel, bottom	1.70
17	4339347	Channel, side	2.00
18	4338954	Regltr., dr. wind.	4.00
19	4339004	Glass, door
20	4338547	Glass, ventilator
21	4341395	Handle, regulator, vent.	1.40
22	4344925	Handle, regulator, door window	1.65

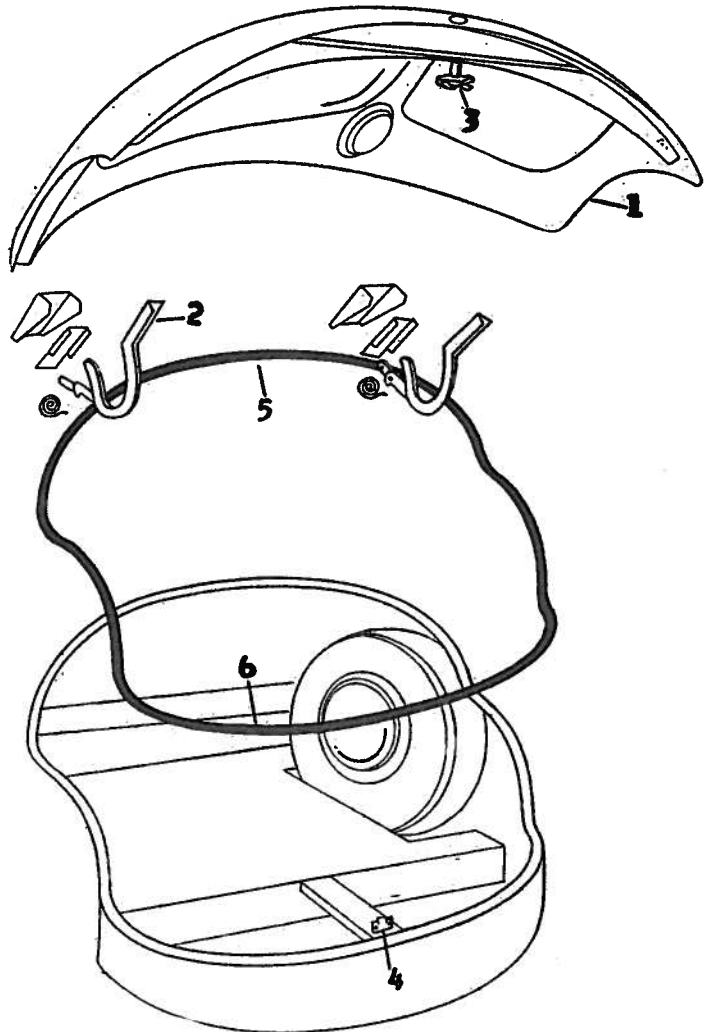
BODY PARTS 1949 NASH

Series 40. ALL BODY STYLES



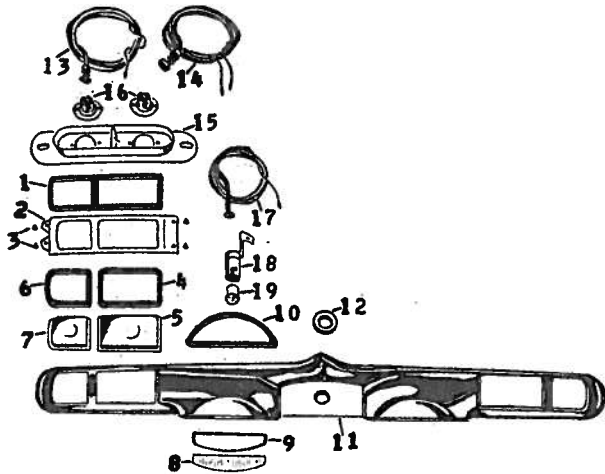
**REAR WINDOW
ALL MODELS**

Item Part No.	Description	Price	Item Part No.	Description	Price
1 4339003	Glass	2 4346064	Channel, rubber, 4943, 49, 48	3.90
2 4340913	Channel, rubber, 4923, 29, 53, 59, 28, 58....	3.90	3 4339644	Mldg., frame, fin..	5.40
			4 4340970	Molding, reveal ..	3.50



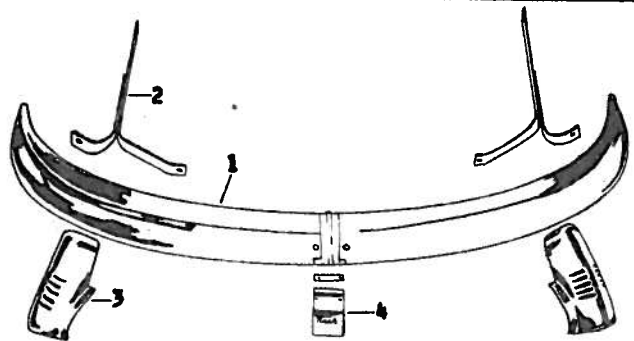
**REAR DECK LID
ALL MODELS**

Item Part No.	Description	Price	Item Part No.	Description	Price
1 4475027	Deck lid	44.00	5 4340063	W/strip., top & sides	4.75
2 4340355	Hinge	3.85	6 4340066	W/strip., bottom..	1.50
3 4339398	Lock	3.50			
4 4339197	Striker	.30			



**TAIL & LICENSE LIGHT
ASSEMBLIES
ALL MODELS**

Item Part No.	Description	Price	Item Part No.	Description	Price
1 4339381	Gasket, tail lamp to deck	.50	11 4341484	Ornament, rear deck lock	15.00
2 4341492	Retainer	.30	12 4339410	Grommet, rear deck lock	.30
3 4341494	Screws	.10	13 4346880	Lamp wire, dir..	1.75
4 4341489	Gasket, lens, tail lamp	.25	14 4341497	Lamp wire, tail..	1.00
5 4341486	Lens, tail lamp	1.00	15 4340324	Body, tail & dir. lamp	3.20
6 4341490	Gasket, directional lamp lens	.25	16 4341518	Socket, tail & dir. lamp	.50
7 4341487	Lens, directional lamp	1.00	88295	Bulb, tail lamp	.29
8 4341485	Lens, license lamp	.50	3110624	Bulb, dir. lamp	.25
9 4341488	Gasket, lens, license lamp	.15	17 4341499	Lamp wire, license	.95
10 4339382	Gasket, license lamp to deck	.15	18 4341496	Socket, lic. lamp..	.50
			19 65180	Bulb, license lamp..	.10



**REAR BUMPER
ALL MODELS**

Item Part No.	Description	Price	Item Part No.	Description	Price
1 3123287	Bmpr., impact bar	39.95	3 3125813	Guard, bumper, vertical	6.65
2 3123268	Back bar	4.00	4 3125443	Name plate	1.35

NASH 1949 WIRING

Series 40. ALL BODY STYLES

USE OF WIRE

Wire	
A-A	Generator to Voltage Regulator
B-B	Generator Field to Voltage Regulator
G-C	Voltage Regulator to Circuit Breaker (30 AMP.)
D-D	Dimmer Switch to Junction Block—Headlamp—Low Beam
E-E	Dimmer Switch to Junction Block—Headlamp—High Beam
F-F	Light Switch to Junction Block—(Parking Light)
G-G	Light Switch to Dimmer Switch
H-H	Horn Relay to Starter Switch
J-J	Stop Light Switch to Circuit Breaker (15 AMP.)
K-K	Stop Light Switch to Dash Junction Connector
L-L	Dimmer Switch to Connector—High Beam Indicator
M-M	Ignition Switch to Cluster Harness Connector

Wire	
N-N	30 AMP. Circuit Breaker to Dash Junction Block
O-O	Ignition Switch to Coil
P-P	Light Switch to Circuit Breaker (30 AMP.)
R-R	Ignition Switch to Circuit Breaker (15 AMP.)
S-S	Starter Switch to Circuit Breaker (30 AMP.)
U-U	Oil Pressure Indicator to Engine Unit
V-V	Heat Indicator to Engine Unit
W-W	15 AMP. Circuit Breaker to Dash Junction Block
X-X	Horn Relay to Horn Button Connector
Y-Y	30 AMP. Circuit Breaker to Dash Junction Block
Z-Z	Ignition Switch to Circuit Breaker (30 AMP.)
A'-A'	Gas Gauge to Dash Junction Connector

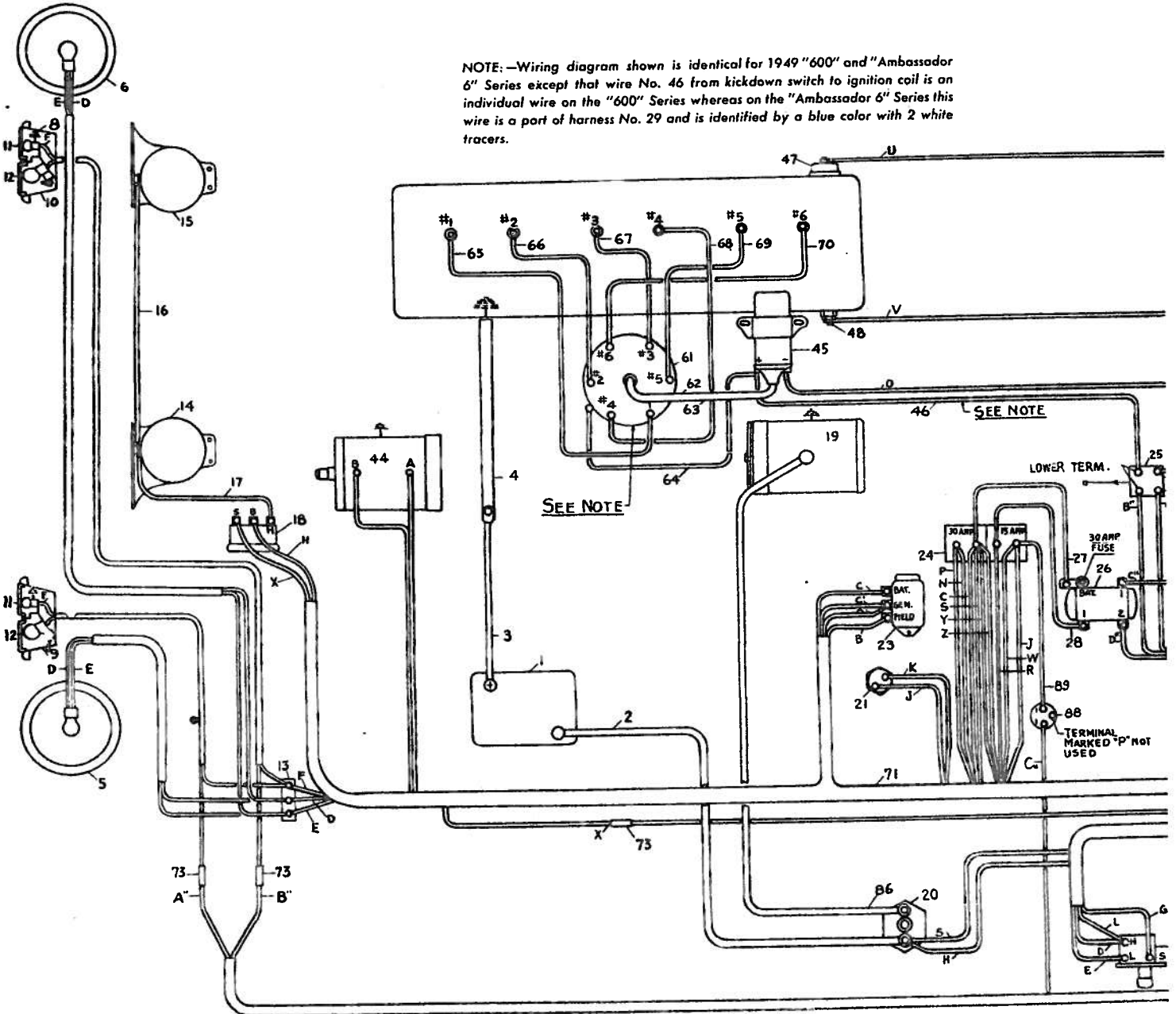
Wire	
B'-B'	Light Switch to Instrument Light
C'-C'	Voltage Regulator to Instrument Cluster Indicator
D'-D'	Light Switch to Dash Junction Connector
E'-E'	Light Switch to Clock Light Dash Connector
A''-A''	Lockout Switch to Kickdown Switch
B''-B''	Solenoid to Kickdown Switch
C''-C''	Solenoid to O.D. Relay
D''-D''	O.D. Relay to Kickdown Switch
A'''-A'''	Clock Light to Dash Connector
B'''-B'''	Clock to Ground
C'''-C'''	Clock to Battery (Dash Junction Block)
A-A-	Gas Gauge Connector to Dash Connector
B-B-	Dash Connector to Aux. Light & Trunk Door Junc. Block
C-C-	Dash Connector to Trunk Door Junc. Block (Stop Lights)

Wire	
D-D-	Dash Connector to Trunk Door Junc. Block (L.H. Direction Light)
E-E-	Dash Connector to Trunk Door Junc. Block (R.H. Direction Light)
A'-A'-	Dirac. Switch to Left Front & Rear Dirac. Light Connections
B'-B'-	Dirac. Switch to Left Front & Rear Dirac. Light Connections
C'-C'-	Directional Signal Switch to Flasher

Unit No.

1. Battery
2. Battery to Starter Switch Cable
3. Battery to Wheelhouse Ground Cable
4. Body to Engine Ground Strap
5. Head Lamp—Left
6. Head Lamp—Right
7. Front Parking Lamp—Left (Without Directional Signal)

NOTE:—Wiring diagram shown is identical for 1949 "600" and "Ambassador 6" Series except that wire No. 46 from kickdown switch to ignition coil is an individual wire on the "600" Series whereas on the "Ambassador 6" Series this wire is a part of harness No. 29 and is identified by a blue color with 2 white tracers.



WIRING 1949 NASH

Series 40. ALL BODY STYLES

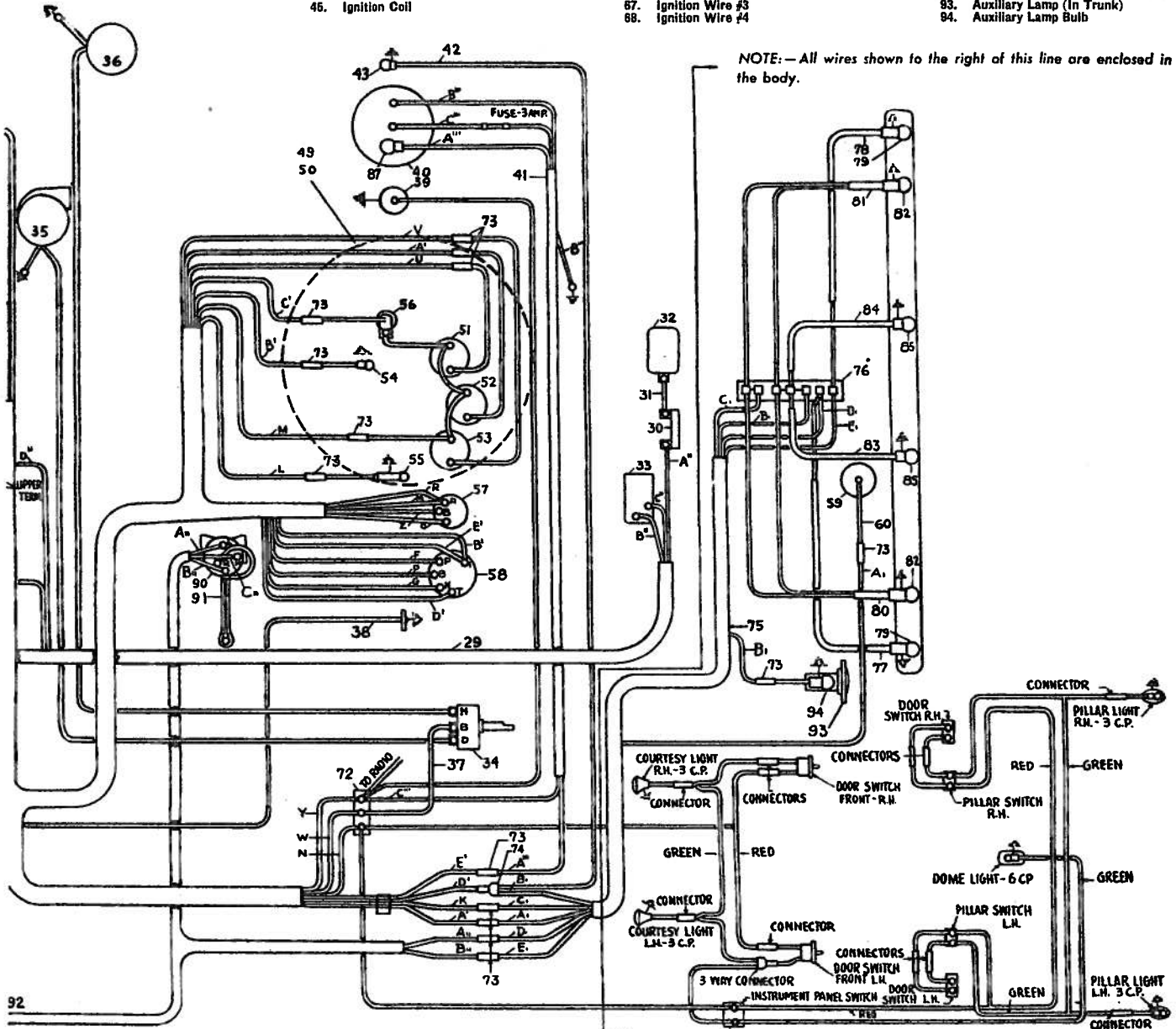
NAME

- Unit No. 8. Front Parking Lamp—Right (Without Directional Signal)
- 9. Front Parking Lamp—Left (With Directional Signal)
- 10. Front Parking Lamp—Right (With Directional Signal)
- 11. Front Parking Light Bulb
- 12. Front Directional Light Bulb
- 13. Head Light Junction Block
- 14. Horn—Left High Pitch
- 15. Horn—Right Low Pitch
- 16. Horn to Horn Wire
- 17. Horn to Horn Relay Wire
- 18. Horn Relay
- 19. Starting Motor
- 20. Starting Switch
- 21. Stop Light Switch
- 22. Foot Dimmer Switch
- 23. Voltage and Current Regulator
- 24. Circuit Breaker
- 25. Overdrive Switch—With O.D. (Kickdown Switch)
- 26. Overdrive with O.D.

- Unit No. 27. O.D. Relay to Circuit Breaker (30 AMP.) Wire—Short
- 28. O.D. Relay to Circuit Breaker (15 AMP.) Wire—Long
- 29. Overdrive Harness (Solenoid to Dash)
- 30. Overdrive Lockout Switch
- 31. Overdrive Lockout Switch to Governor Wire
- 32. O.D. Governor with O.D.
- 33. O.D. Solenoid with O.D.
- 34. Heater and Defroster Switch (Spec. Equip.)
- 35. Defroster Motor (Spec. Equip.)
- 36. Heater Motor (Spec. Equip.)
- 37. Defroster Switch to Dash Junction Block Wire
- 38. Horn Wire—St. Gear Horn Button to Connector
- 39. Cigar Lighter (Housing)
- 40. Clock (Spec. Equip.)
- 41. Clock Wiring Harness
- 42. Glove Box Light Wire (Dash Connector to Glove Box)
- 43. Glove Box Light Bulb
- 44. Generator
- 45. Ignition Coil

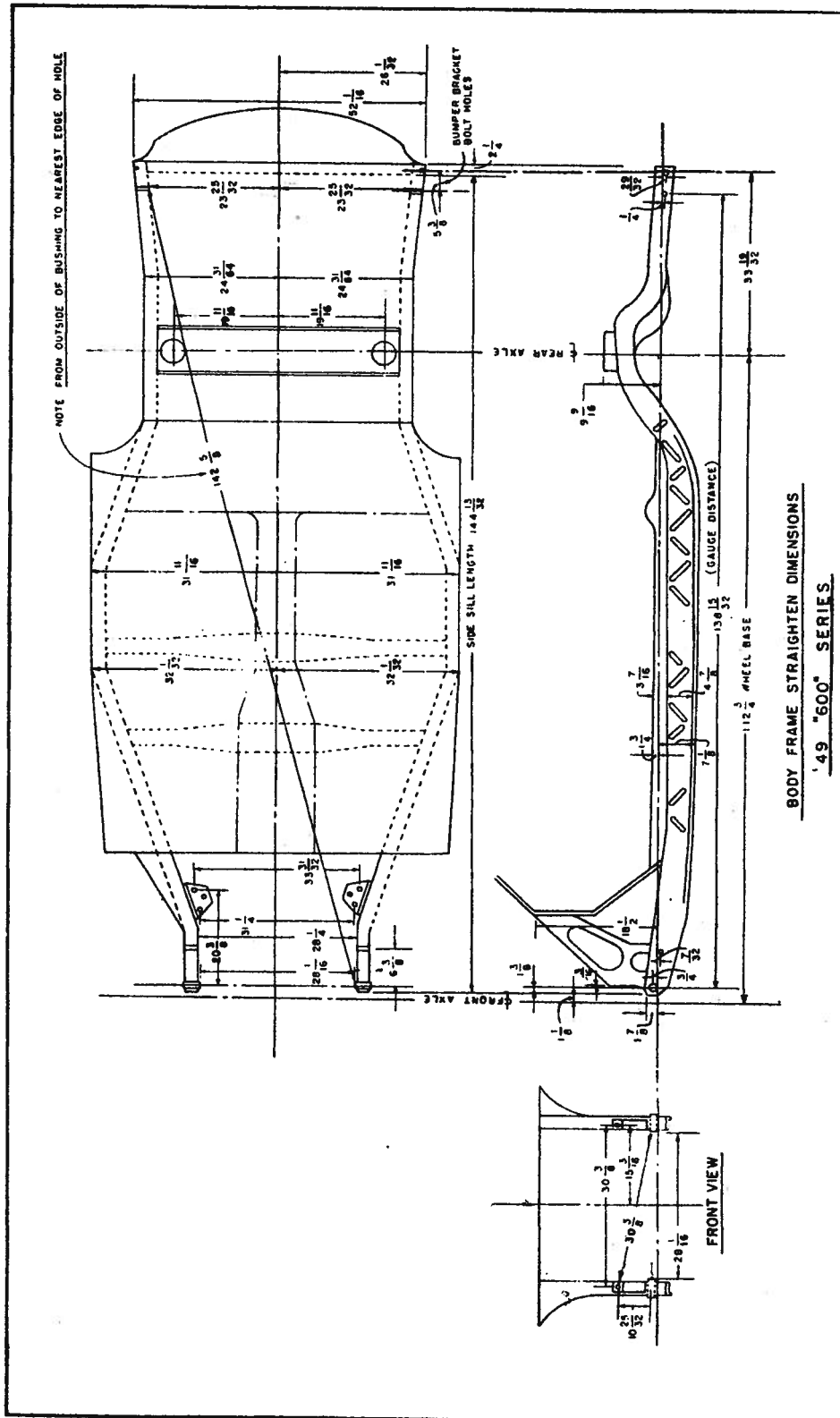
- Unit No. 46. Ignition Coil to O.D. Switch Wire (Kickdown Switch)
- 47. Oil Gauge Sending Unit (Engine Unit)
- 48. Temperature Gauge—Engine Unit
- 49. Instrument Cluster (Reads in Miles)
- 50. Instrument Cluster (Reads in Kilo.)
- 51. Oil Gauge (Instrument Cluster)
- 52. Fuel Gauge (Instrument Cluster)
- 53. Temperature Gauge (Instrument Cluster)
- 54. Instrument Light Bulb
- 55. Instrument High Beam Light Bulb
- 56. No Charge Indicator Bulb
- 57. Ignition Switch (On Steering Gear Post)
- 58. Lighting Switch (On Steering Gear Post)
- 59. Gas Gauge (Tank Unit)
- 60. Gas Gauge Tank Unit to Connector Wire
- 61. Distributor
- 62. Distributor to Ignition Coil H.T. Wire Without Radio
- 63. Distributor to Ignition Coil H.T. Wire With Radio
- 64. Distributor to Ignition Coil—Low Tension Wire
- 65. Ignition Wire #1
- 66. Ignition Wire #2
- 67. Ignition Wire #3
- 68. Ignition Wire #4

- Unit No. 69. Ignition Wire #5
- 70. Ignition Wire #8
- 71. Wiring Harness (Main)
- 72. Junction Block (On a Dash)
- 73. Two Wire Connector
- 74. Three Wire Connector
- 75. Wiring Harness—In Body
- 76. Junction Block in Trunk Door
- 77. Directional Light Wire—Rear Left
- 78. Directional Light Wire—Rear Right
- 79. Directional Light Bulb—Rear
- 80. Tail & Stop Light Wire—Left
- 81. Tail & Stop Light Wire—Right
- 82. Tail & Stop Light Bulb
- 83. License Plate Light Wire—Left
- 84. License Plate Light Wire—Right
- 85. License Plate Light Bulb
- 86. Starting Switch to Starting Motor Cable
- 87. Clock Bulb
- 88. Directional Signal Flasher
- 89. Direct. Signal Flasher to Circuit Breaker (15 AMP.) Wire
- 90. Directional Signal Switch (On St. Gear)
- 91. Directional Signal Lever, Wire & Bulb
- 92. Directional Signal Wiring Harness
- 93. Auxiliary Lamp (In Trunk)
- 94. Auxiliary Lamp Bulb



NASH 1949 FRAME

Series 40. ALL BODY STYLES



Frame—Body Dimensions Chart—1949 "600" Series

FLAT RATE 1949 NASH

Series 40. ALL BODY STYLES

Job No.	Chilton Labor Price	Chilton Job No.	Chilton Labor Price	Chilton Job No.	Chilton Labor Price	Chilton Job No.	Chilton Labor Price	Chilton Job No.	Chilton Labor Price	Chilton Job No.	Chilton Labor Price	Chilton Job No.	Chilton Labor Price	Chilton Job No.	Chilton Labor Price	Chilton Job No.	Chilton Labor Price	Chilton Job No.	Chilton Labor Price
A		A—continued		A—continued		B—continued		C—continued		D		E—continued		E—continued		F—continued		G	
1.....	2.25	7.....	2.00	20x.....	10.00	9.....	21.00	3.....	3.00	2.....	26.00	12.....	26.00	2.....	28.00	1.....	50.00		
2.....	1.75	8.....	1.25			10.....	1.75	4.....	2.50	3.....	22.00	13.....	20.00	3.....	20.00	2.....	25.00		
3.....		9.....	3.50			11.....	3.25	5.....	4.00	4.....	22.00	14.....	110.00	4.....	1.75	3.....	23.00		
4.....	17.60	10.....				12.....	3.75	6.....	2.00	5.....		15.....	100.00	5.....	4.50	4.....			
4a.....		11.....	3.00	B		13.....		7.....	4.00	6.....	10.00	16.....		6.....	2.00	5.....			
4b.....	2.00	12.....	4.50	1.....	8.80	14.....	3.00	8.....	4.00	7.....	15.00	17.....		7.....	2.00	6.....			
4c.....	8.00	13.....	1.50	1a.....	5.50	15.....	1.25	9.....		7x.....		18.....	12.00	8.....	4.00	7.....			
5.....	10.00	14.....		2.....	28.00			10.....		19.....	7.00	19.....	12.00	8.....		8.....			
5a.....	3.00	15.....	.75	3.....	22.00			11.....	3.25	20.....	3.00			9.....	80.00	9.....			
5b.....	4.00	16.....		4.....	1.75	C		12.....	3.75			8.....	82.00	10.....	82.00	10.....			
5c.....	3.00	17.....	1.50	5.....	4.00	1.....	7.50	13.....		E		8x.....	82.00	11.....	82.00	11.....			
5d.....	8.00	18.....	12.00	6.....	2.00	1a.....	5.00	14.....	3.25	1.....	55.00	8y.....	82.00			1.....	7.50		
6.....	18.00	20.....	7.50	7.....	2.00	2.....	27.00	15.....	1.25			10.....				1a.....	4.50		
				8.....	4.00							11.....					3.00		

STEERING GEOMETRY

"600"

CASTER: Zero to 1/2 degree Positive.

CAMBER: 1/4 degree negative to 1/4 degree positive. Zero desired.

TOE-IN: 1/8 to 3/16 inches.

KING PIN INCLINATION: 8 1/2 degree.

ADJUSTMENT

Both caster and camber are controlled by the "C" washers at the upper control arm bracket.

Toe-in is adjusted at both tie rods.

