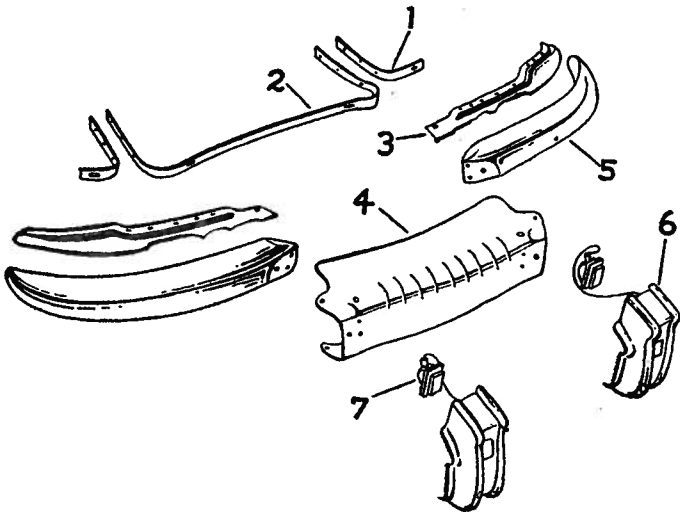


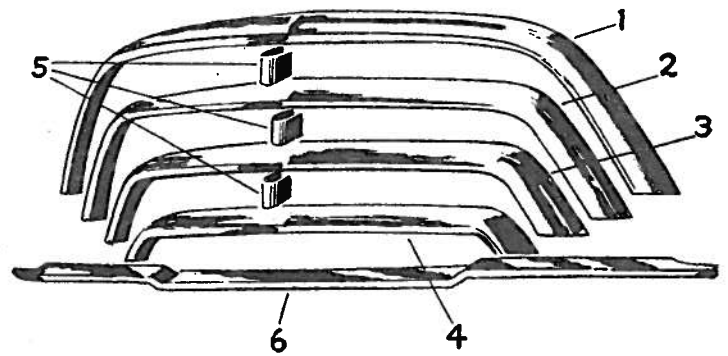
OLDSMOBILE 1946 and 1947 BODY PARTS

Series 98. ALL BODY STYLES



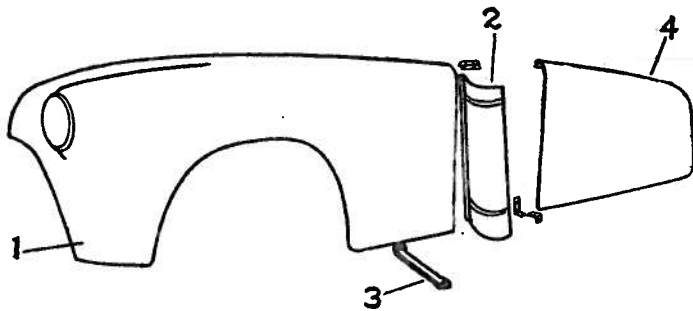
FRONT BUMPER

Item Part No.	Description	Price	Item Part No.	Description	Price
1	418669—Attaching bar, out..	1.55	5	418815—Left front bar	15.00
2	419599—Attaching bar, in..	1.75	6	9700001—Guard, left	7.25
3	418575—Deflector	1.50	7	917303—Parking lamp assy.	3.80
4	418698—Front, center	15.00			



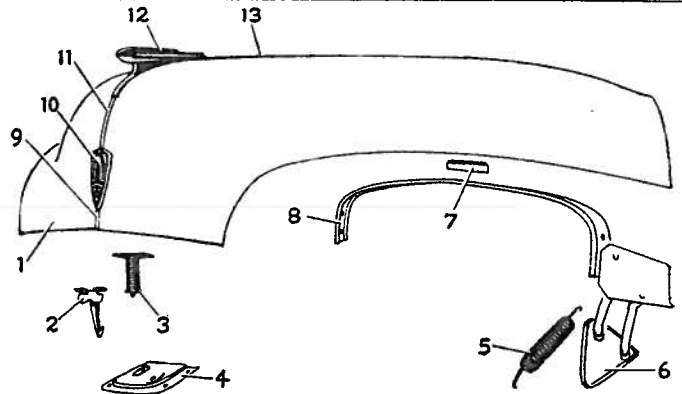
GRILLE

Item Part No.	Description	Price	Item Part No.	Description	Price
	418665—Grille	63.25		418542—Bar, grille tie4
1	418537—Bar, No. 1, up.	17.60	5	418543—Block center	1.2
2	555273—Bar, No. 2	12.50	6	418541—Base, chrome, 1946-47	15.4
3	555274—Bar, No. 3	10.80			
4	555275—Bar, No. 4	10.00	6	555266—Base, painted	3.5



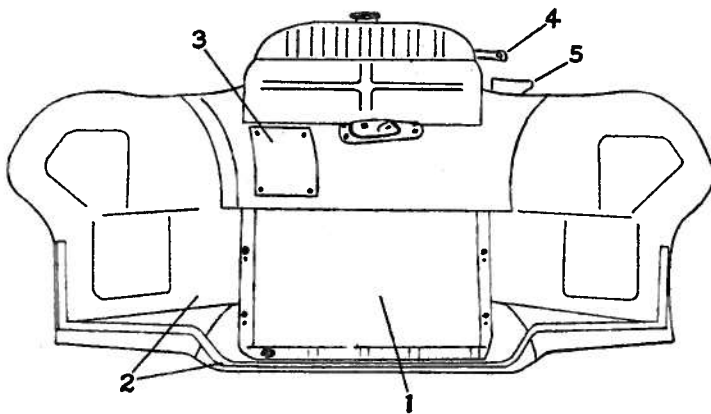
FRONT FENDER

Item Part No.	Description	Price
1	419307—Front fender	32.90
2	417561—Extension plate	1.45
3	416961—Fender bracket30
4	419173—Fender door cap	7.15



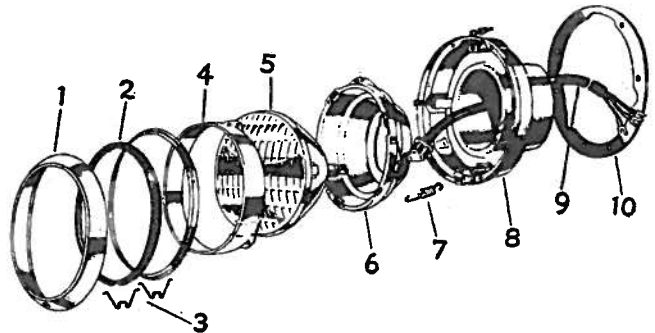
HOOD

Item Part No.	Description	Price	Item Part No.	Description	Price
1	418824—Hood panel	29.90	8	419225—Support	1.7
2	418375—Safety hook65	9	418550—Midg.3
3	418364—Latch assy., up.	1.25	10	419672—Emblem, front	2.0
4	418649—Latch, low.	1.50	11	418226—Midg.
5	419467—Spring hood hinge..	.60	12	418733—Ornament, less lucite	5.6
6	419469—Hinge assy.	4.25	13	419227—Midg., chrome	1.7
	554224—Plate, hinge to body10			
7	418644—Brkt. sup., ctr.23			



RAD. ASSY. AND AIR SCOOPS

Item Part No.	Description	Price
1	3116089—Rad. core	70.20
2	418702—Sup., rad. core	18.80
3	418648—Cover, up. baffle40
4	416791—Sup. bar40
5	416965—Brkt.30

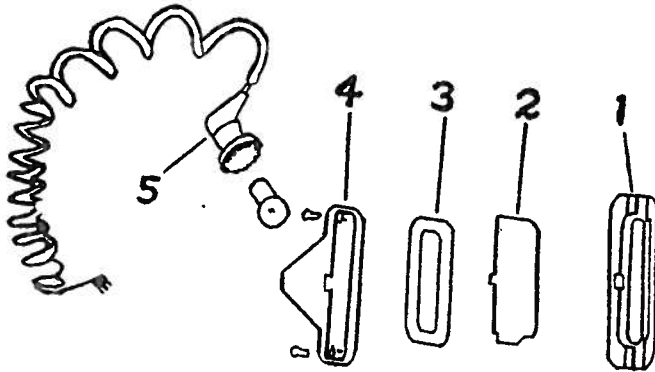


HEAD LAMP

Item Part No.	Description	Price
	925268—Headlamp assy.	13.85
1	924565—Rim	2.00
2	5930594—Seal with retainer20
3	924568—Spring retainer05
4	924534—Ring, 1946-47	1.10
5	925000—Sealed beam	1.25
6	924535—Sub-body60
7	5931749—Spring05
8	5931832—Housing	3.30
9	5933176—Wiring	1.10
10	413994—Gasket28

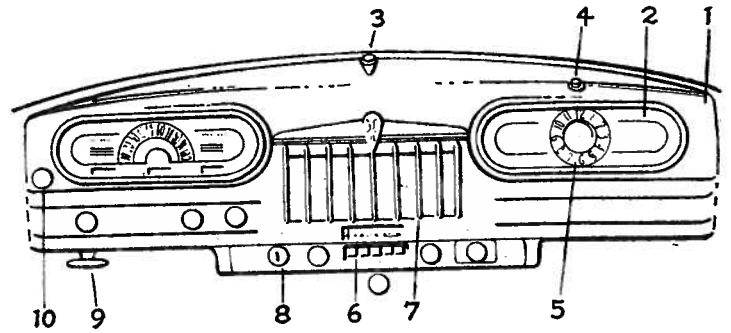
BODY PARTS 1946 and 1947 OLDSMOBILE

Series 98. ALL BODY STYLES



PARKING LAMP

Item	Part No.	Description	Price
	917303	Parking lamp assy..	3.80
1	5935920	Rim75
2	5935923	Lens	1.10
3	5935921	Gasket15
4	5935922	Body45
5	5935925	Socket wiring	1.20
5	5936194	Socket wiring	1.25

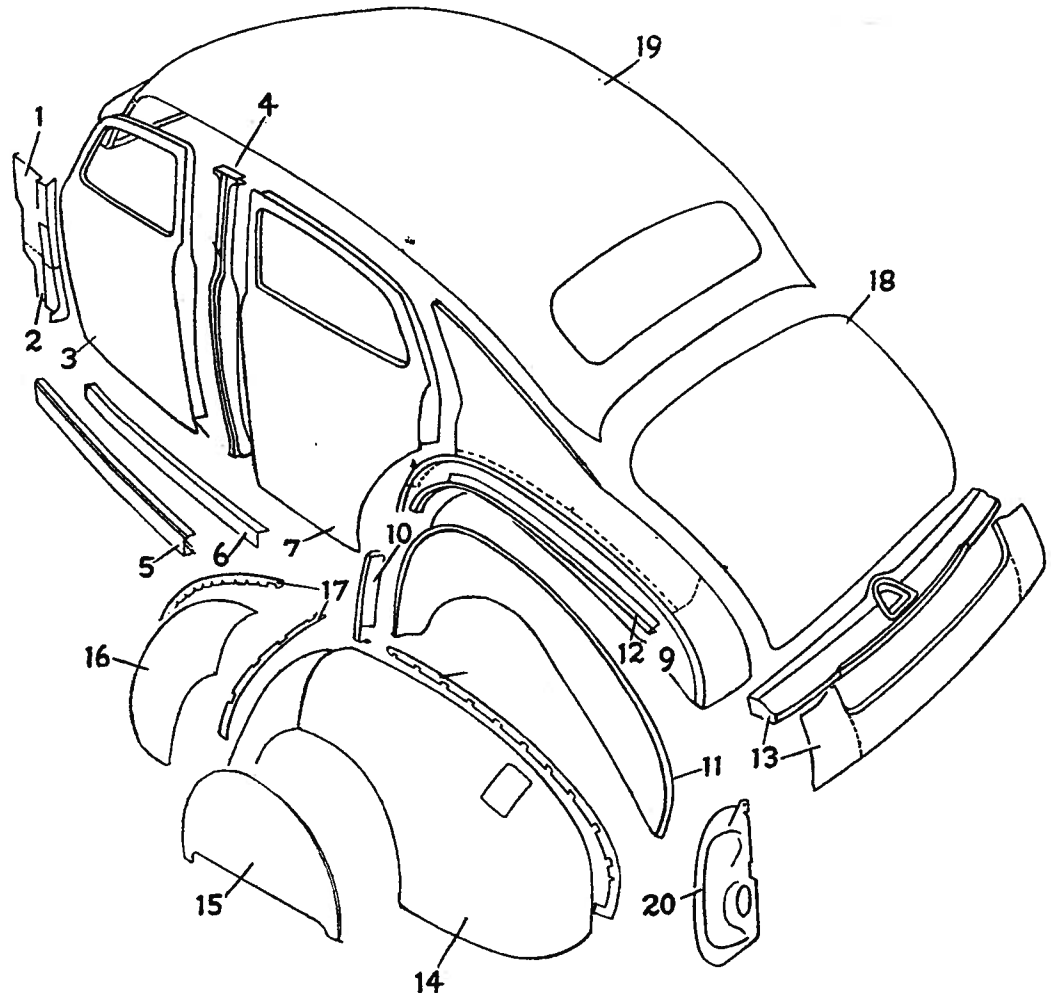


INSTRUMENT PANEL

Item	Part No.	Description	Price	Item	Part No.	Description	Price
1	4147142	Inst. panel	7.55	7	419157	Radio grille	22.85
2	4146826	Door, deluxe	11.85	8	1116353	Ignition switch	2.50
3	4146927	Wiper control	1.75	4	4098313	Lock switch	1.70
4	4098313	Lock assy., 1946-47	1.90	9	419229	Hood control	3.80
5	416854	Electric clock	10.00	10	419218	Light switch	1.25
6	418994	Radio panel	1.75				

BODY SHEET METAL 4 DOOR MODELS

Item	Part No.	Description	Price
1	4137004	Cowl	5.78
2	4550636	Cowl, low.	2.45
3	4141711	Front door panel..	12.10
	419173	Door cap	7.15
4	4148117	Ctr. pillar	19.45
4	4590690	Low. pillar	4.50
5	4148058	Rocker panel, out.	4.50
6	4133060	Rocker panel, in..	4.50
7	4132660	Rear door panel ..	12.10
8	4148107	Qtr. panel, out. ..	44.85
9	4135051	Qtr. panel, low. rear	1.45
0	455069	Qtr. panel, low. lock	4.50
1	4148042	Whhouse. panel ..	12.00
2	4550652	Fender attaching panel	7.50
3	4147767	Rear end panel ..	9.20
4	419183	Rear fender	18.40
5	418647	Fender panel	9.25
6	419175	Fender door cap, rear	5.75
7	417397	Anti-squeak35
8	4161449	Rear deck lid	32.00
9	4136989	Roof panel	59.80
0	416977	Rear fndr. deflector	1.45



OLDSMOBILE 1946 and 1947 BODY PARTS

Series 98. ALL BODY STYLES

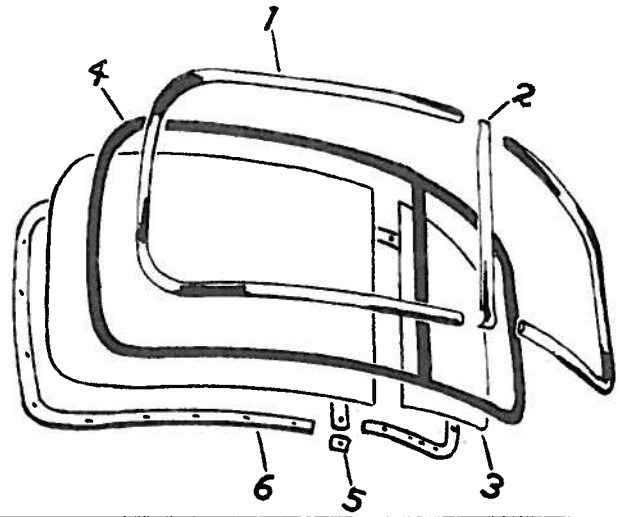
WINDSHIELD

2 DOOR

Item Part No.	Description	Price
1 4125553	Reveal midg., chrome	3.50
2 4125555	Div. midg., out.	1.75
3 4125236	Safety glass	13.10
4 4125415	Rubber channel	3.20
5 4146878	Clip	.17
6 4148976	Garnish midg.	3.60

4 DOOR

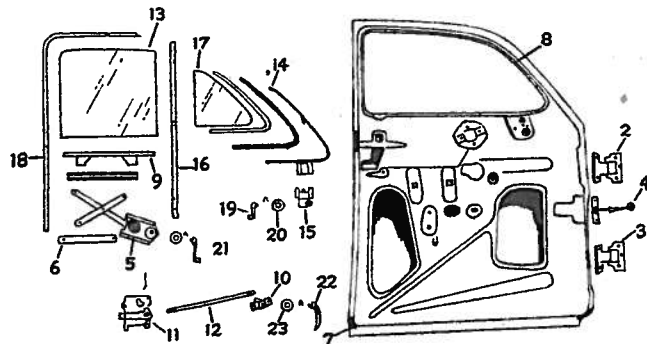
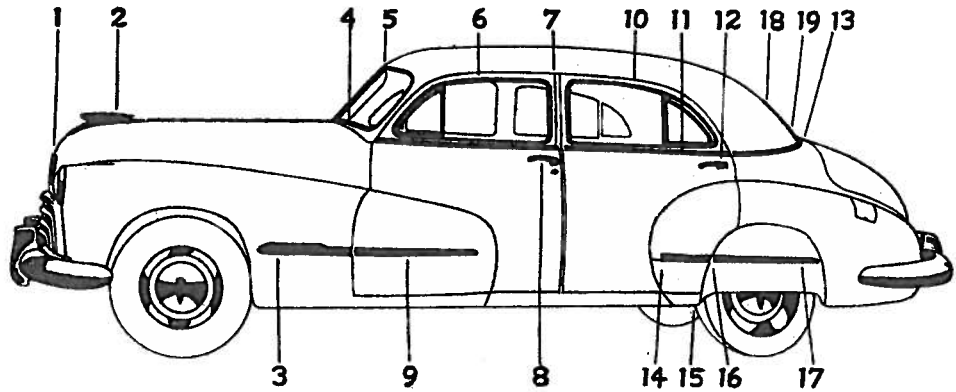
Item Part No.	Description	Price
1 4125551	Reveal midg., chrome	3.50
2 4125554	Div. midg., out.	1.90
3 4125236	Safety glass	14.70
4 4112589	Rubber channel	3.20
5 4146878	Clip	.17
6 4147205	Garnish midg.	3.60



BODY MOLDING

4 DOOR MODELS

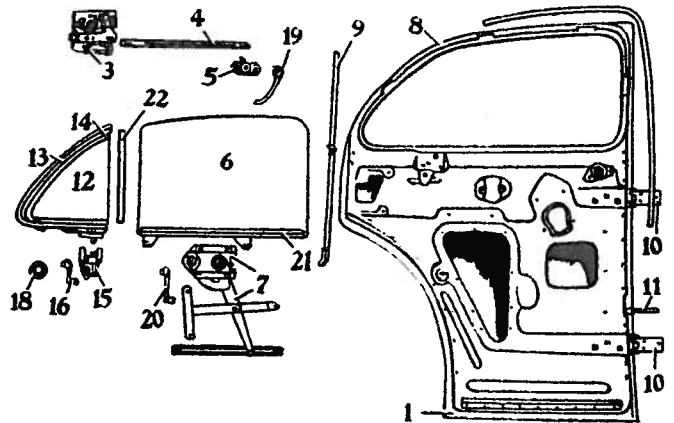
Item Part No.	Description	Price
1 419672	Emblem, 1946-47	2.00
1 554798	Emblem, 1948	1.90
419227	Rear, chrome	1.75
2 418733	Ornament	5.65
3 419011	Fender midg., 1946	3.45
3 419683	Fender midg., 1947	4.00
4 4125551	Windshield midg.	3.50
5 4125554	Div. midg.	1.90
6 4125580	Front window reveal midg.	7.85
7 4131820	Front door midg.	.75
7 4341787	Door midg.	2.60
7 4131594	Door midg.	2.60
8 4131390	Front door handle	2.30
9 418675	Front dr. cap midg.	4.15
10 4125564	Rear dr. window midg.	9.00
11 4131598	Rear dr. belt midg.	2.60
12 4131390	Rear door handle	2.30
13 4131592	Rear end belt midg.	3.40
14 416985	Rear fender shield	2.85
15 4136966	Extension	.80
15 4161296	Extension	2.30
16 419237	Rear fender dr. cap midg.	2.05
17 418677	Rear fender panel midg.	3.20
18 4131085	Midg., up.	3.80
19 4131094	Midg., low left	2.30
4131093	Midg., right low corner	2.30



FRONT DOOR ASSEMBLY

4 DOOR

Item Part No.	Description	Price	Item Part No.	Description	Price
1 4141701	Door assy.	41.15	11 4113800	Lock assy.	4.25
419173	Door cap	7.15	12 4131493	Link	.30
2 4125228	Hinge, up.	2.75	13 4125257	Glass	11.25
3 4125230	Hinge, low.	3.40	14 4125687	Vent. assy.	17.95
4 4147114	Link door check	.45	15 4147129	Regulator	2.90
5 4113790	Regulator	4.90	16 4125900	Channel	5.30
6 4099974	Cam	.35	17 4125252	Glass	3.50
7 4143062	W/strip, bottom corner	1.95	18 4147163	Window channel	3.15
7 4132022	W/strip, bottom corner	2.30	19 4131077	Regitr. handle, 1946	1.45
8 4131392	Top and sides	1.15	19 4591546	Regitr. handle, 1947	1.30
9 4125928	Channel, low	.95	20 4132059	Escutcheon plate	1.30
4147592	Locking knob	.12	21 451545	Regitr. handle, 1946	1.30
10 4133004	Remote control	.85	21 4161128	Regitr. handle, 1947	1.30
			22 4091127	Lock, inside handle	.90
			23 4132059	Escutcheon plate	1.30



REAR DOOR ASSEMBLY

4 DOOR

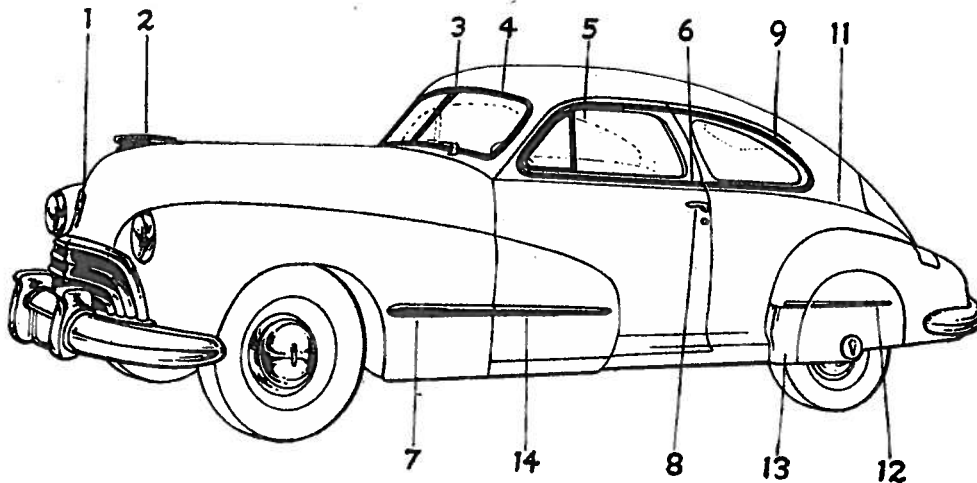
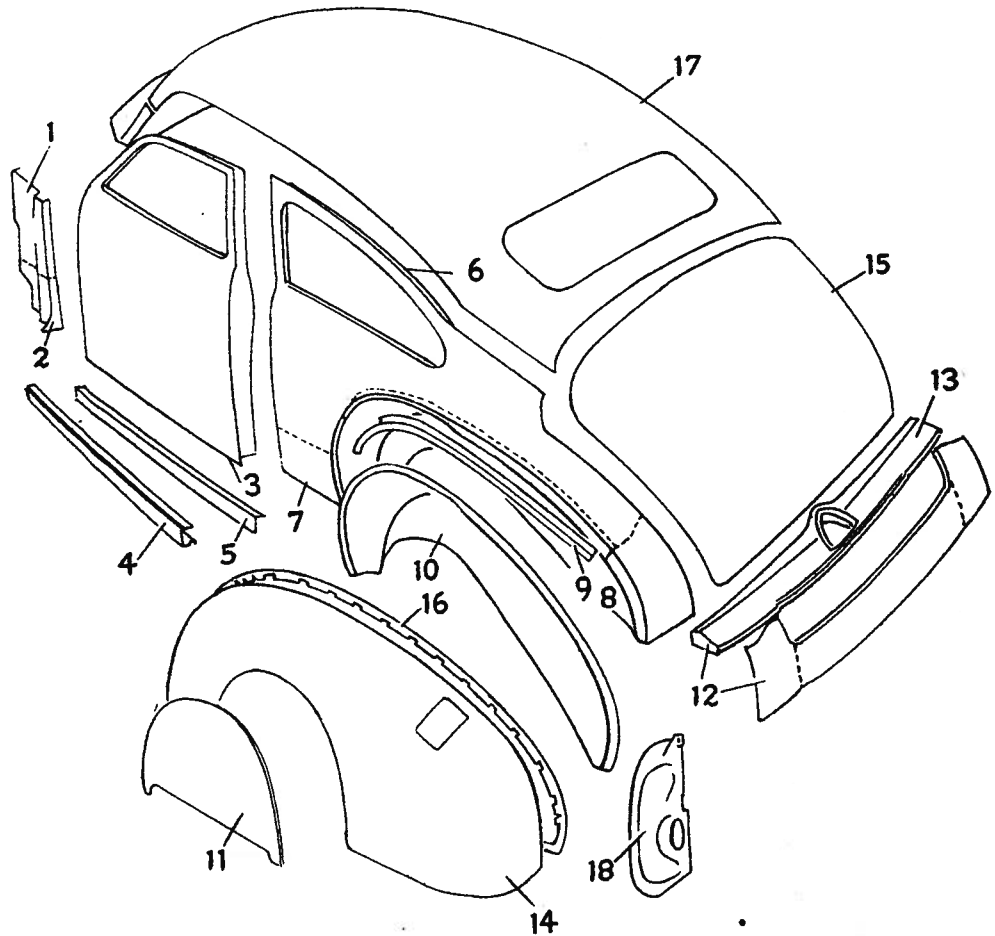
Item Part No.	Description	Price	Item Part No.	Description	Price
1 4132907	Door assy.	38.60	12 4125253	Vent. glass	3.25
2 4141711	Door panel, out.	12.10	13 4125701	Vent. assy.	14.50
3 4125852	Lock assy.	3.95	14 4125908	W/strip	1.35
4 4131316	Control link	.35	15 4147130	Vent. regitr.	1.35
5 4133004	Remote control	.85	16 4551546	Vent. handle	1.35
6 4125259	Door glass	11.25	18 4132059	Vent. handle escutcheon	1.35
7 4114249	Glass regitr.	4.50	19 4091127	Inside handle	1.35
8 4147211	Garnish midg.	8.90	20 4551545	Regitr. handle	1.35
9 4131247	Div. channel	4.10	21 4125930	Sash channel	1.35
10 4125232	Hinge assy., up.	2.60	22 4147145	Vent. air deflector	1.35
10 4125234	Hinge assy., low.	1.95			
11 4137829	Check link	1.00			

BODY PARTS 1946 and 1947 OLDSMOBILE

Series 98. ALL BODY STYLES

BODY SHEET METAL 2 DOOR

Item Part No.	Description	Price
4147982	Cowl assy.	95.00
1 4137004	Panel, cowl side	5.76
2 4550636	Panel, low. section	2.45
3 4132666	Door panel	14.40
4 4148058	Rocker panel, out.	4.50
5 4183060	Panel, in.	4.50
6 4148105	Qtr. panel	52.35
7 4550680	Panel, low. front	3.80
8 4147980	Panel, low. rear	4.60
9 4550639	Attaching panel	10.50
10 4148069	Panel, whhouse	12.00
11 418647	Fender panel	9.25
12 4133018	Rear end panel	7.50
13 4148060	Panel only, less	2.80
	cross bar	
14 419519	Rear fender with	18.40
	door	
15 4161745	Rear compartment	29.50
	lid	
16 416832	Fender rubber welt	.60
17 4136990	Roof panel	55.30
18 416977	Rear fndr. deflector	1.45

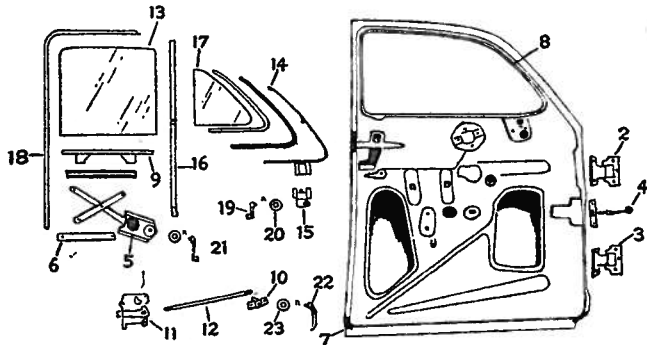


BODY MOLDING 2 DOOR

Item Part No.	Description	Price
1 419672	Emblem	2.00
2 418733	Ornament, hood ctr.	5.65
3 4125553	W/shield div. midg.	1.75
4 4125553	W/shield reveal	3.50
5 4125558	Front window re-	
	veal	14.95
6 4131596	Front door belt	
	midg.	3.00
7 418011	Fender midg., 1946	3.45
7 418693	Fender midg., 1947	4.00
8 4125989	Door handle	2.30
9 4125988	Qtr. window reveal	13.85
11 4131590	Rear qtr. belt midg.	5.30
12 419237	Rear fender midg.	2.05
13 416921	Rear fender shield	2.85
14 418675	Door cap midg.	4.15

OLDSMOBILE 1946 and 1947 BODY PARTS

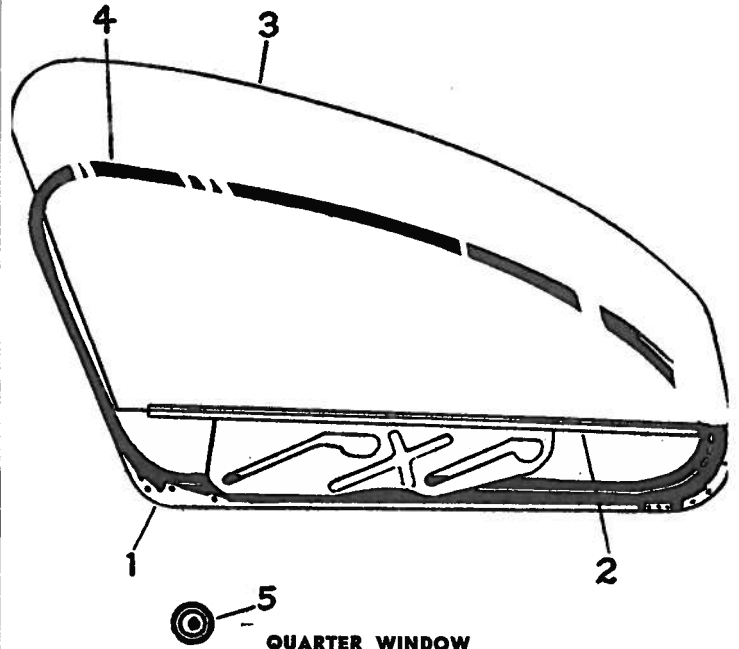
Series 98. ALL BODY STYLES



DOOR ASSEMBLY

2 DOOR

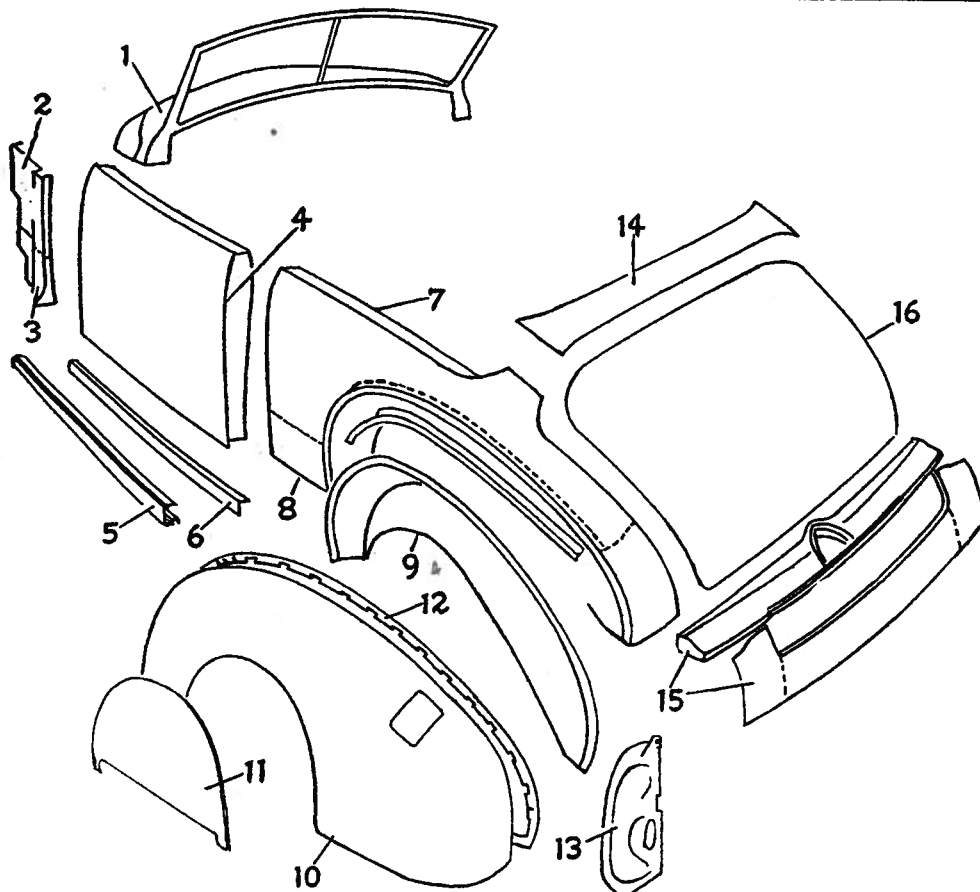
Item Part No.	Description	Price	Item Part No.	Description	Price
1	4132912—Door assy.	43.65	16	4147158—Div. channel	2.75
2	4125228—Hinge assy., up.	2.75	17	4125251—Vent. glass	3.00
3	4125230—Hinge assy., low.	3.40		4125910—W/strip	.50
4	4132087—Check link sup.	.30	18	4075477—Window channel	
4	4147114—Check link	.45		glass run	
5	4125948—Window regitr.	5.60	19	4551546—Vent. handle	1.30
6	4077768—Cam track channel	.40	20	4132059—Vent. handle escutcheon	.95
7	4143064—W/strip bottom (inc. corners)	2.15	21	4551545—Window regitr handle	1.30
8	4131392—W/strip, top and sides	1.15	22	4091127—Door lock handle, inside	.90
9	4125926—Sash channel	1.30	23	4132059—Lock handle escutcheon	.95
10	4133004—Remote control	.85		4131318—Vent. channel, chrome	5.30
11	4113800—Lock assy.	4.25		4125672—Rain deflector	.80
12	4114548—Check link	.30			
13	4123256—Door glass	13.10			
14	4125693—Vent. assy.	16.45			
15	4147129—Vent. regitr.	2.90			



QUARTER WINDOW

2 DOOR

Item Part No.	Description	Price	Item Part No.	Description	Price
1	4147227—Midg.	7.50	5	4115181—Window regitr.	3.80
2	4131083—Channel, low. sash	1.20		4132059—Escutcheon plate
3	4132031—Glass	14.00		4551545—Regitr. handle
4	4102157—W/strip	.85			



BODY SHEET METAL CONVERTIBLES

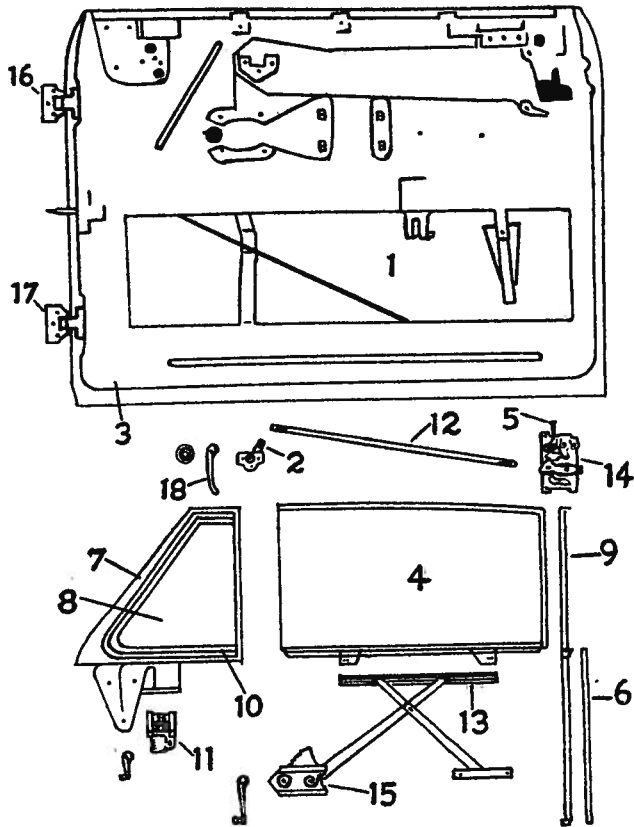
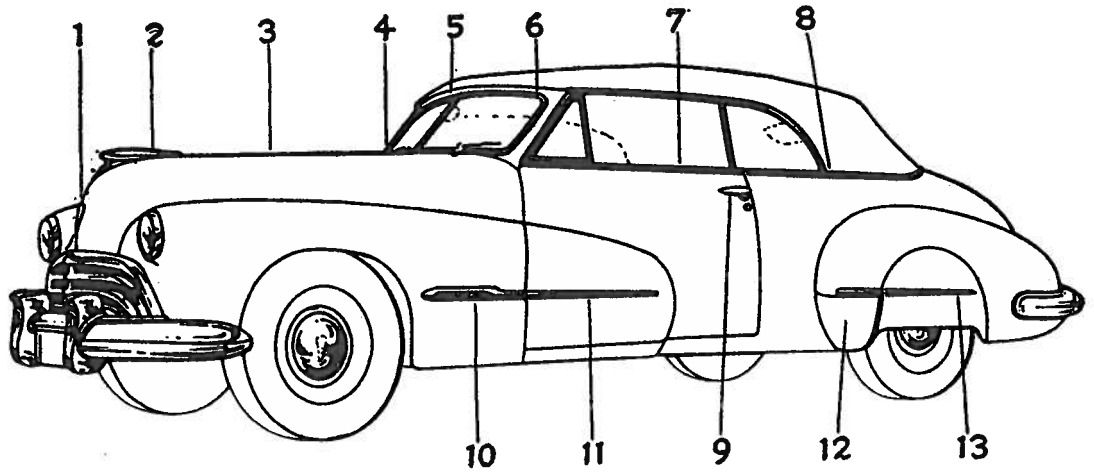
Item Part No.	Description	Price
1	4147979—Cowl assy.	95.00
2	4137004—Cowl side panel, up.	5.76
3	4550636—Panel, low. sec.	2.45
4	4132709—Door panel	14.40
4	419173—Door cap panel	7.15
5	4148058—Rocker panel, out.	4.50
6	4133060—Rocker panel, in.	4.50
7	4149879—Qtr. panel assy.	48.00
8	4550680—Panel, low. front sec.	3.80
9	4148069—Whhouse. section	12.00
10	419519—Rear fender with dr.	18.40
10	419179—Fender cap	5.75
11	418647—Rear fender panel	9.25
12	416832—Fender rubber welt	.60
13	416977—Rear fndr. deflector	1.45
14	4141644—Panel above deck lid	6.80
15	4147972—Rear end panel	9.20
16	4161744—Rear deck lid	32.00

BODY PARTS 1946 and 1947 OLDSMOBILE

Series 98. ALL BODY STYLES

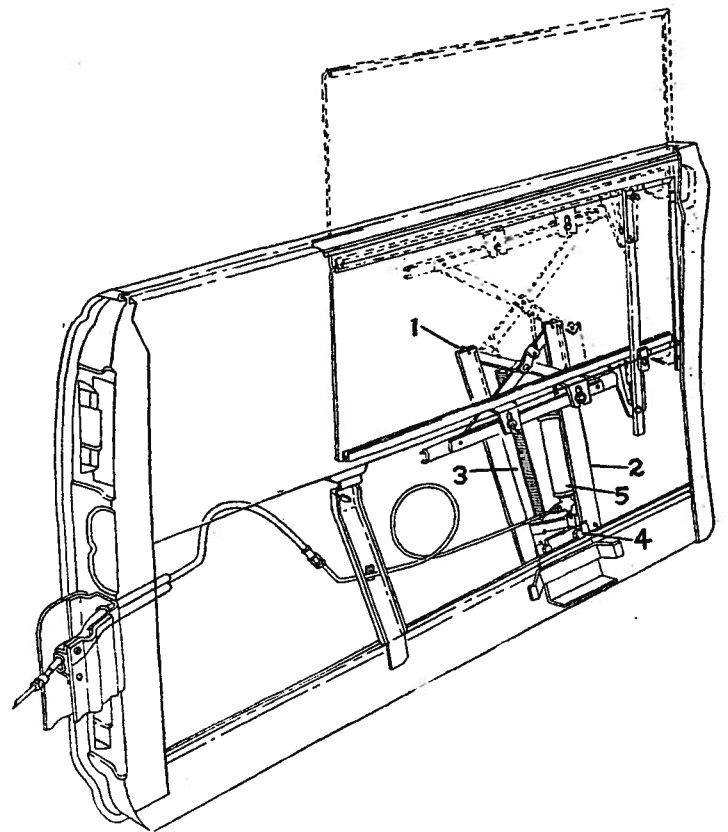
BODY MOLDING CONVERTIBLE

Item	Part No.	Description	Price
1	419672	Emblem, hood, F...	2.00
2	555088	Ornament, hood ...	5.85
3	418550	Hood midg., top ctr.	.30
4	419227	Hood midg., rear ...	1.75
5	4125800	W/shield div. midg.	2.05
6	4125799	W/shield midg. ...	4.50
7	4131532	Door belt midg., up.	2.80
8	4131530	Rear qtr. belt midg.	7.10
9	4125990	Door handle, outside	2.30
10	419699	Front fender side midg.	4.00
10	419011	Front fender side midg.	3.45
11	418675	Door cap midg.	4.15
12	416921	Rear fender shield	2.85
13	419237	Rear fender side midg.



DOOR ASSEMBLY CONVERTIBLE

Item	Part No.	Description	Price	Item	Part No.	Description	Price
1	4149032	Door Assy., less vent.	43.65	12	4114741	Remote control link	.30
	419173	Door cap	7.15	13	4099974	Cam track	.35
	4072912	Stiffener bolt	.50	14	4113800	Lock Assy.	4.25
2	4133004	Remote control	.85	15	4125878	Window regltr.	4.10
4	4125863	Door glass	14.00	16	4125228	Hinge, up.	2.75
5	4147592	Lock knob	.12	17	4125230	Hinge, low.	3.40
6	4102325	Window guide	.60		4125990	Door handle, outside, plain	2.30
7	4133659	Vent. Assy.	48.65	18	4091127	Handle, inside	.90
8	4131888	Vent. glass	4.20	19	4551545	Regltr. handle	1.30
9	4133668	Div. channel	9.00		4148899	Channel, w/lower sash	4.10
10	4133664	Vent. frame	14.95				
	4133672	W/strip	3.40				
11	4147129	Vent. regltr.	2.90				

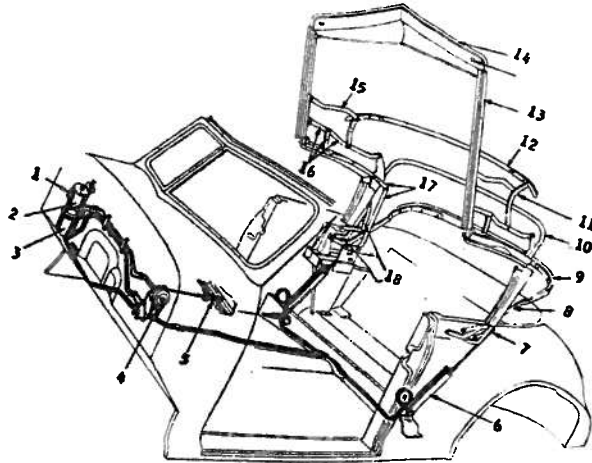


HYDRAULIC DOOR LIFT CONVERTIBLE

Item	Part No.	Description	Price
1	4149779	Lift Assy., 1st type	14.25
1	4556568	Lift Assy., 2nd type, 1947	18.20
2	4149781	Frame, 1st type	6.80
2	4558494	Frame, 2nd type	8.45
3	4149776	Spring	1.30
3	4558322	Spring, 1947	1.50
4	4149909	Stud	.30
5	4149775	Cylinder	9.75
	4149753	Control switch	1.45

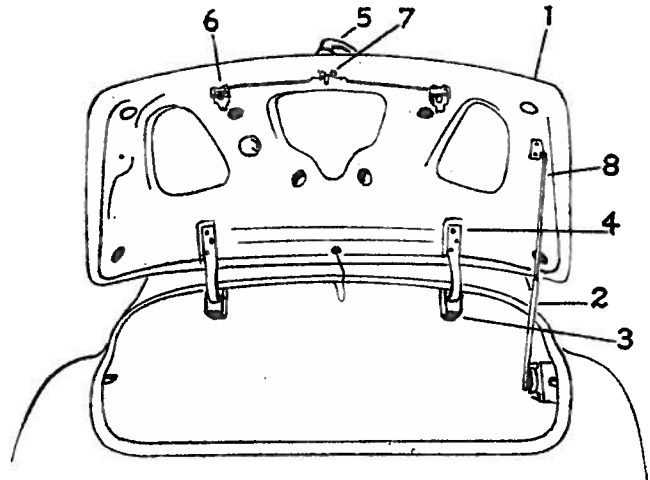
OLDSMOBILE 1946 and 1947 BODY PARTS

Series 98. ALL BODY STYLES



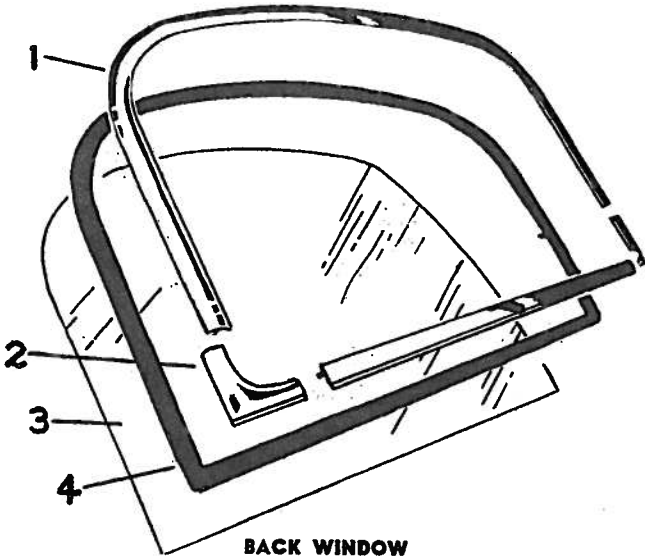
CONVERTIBLE TOP

Item Part No.	Description	Price	Item Part No.	Description	Price
1 4149784	Solenoid	3.45	11 4147280	Slat iron	4.00
2 4161786	Motor and pump	43.50	12 4141731	Auxiliary bow, front	6.75
3 4161898	Reservoir	2.30	13 4161982	Side roof rail, front	10.85
4 4149731	Valve assy.	6.90	14 4141662	Rail assy., front	23.90
5 4149756	Knob assy.	2.30	15 4147277	Auxiliary link, up.	3.00
6 4149728	Cyl. assy.	10.35	16 4147286	Control link assy.	14.55
7 4162179	Yoke assy.	2.95	17 4161980	Rear roof rail	23.55
8 4147282	Slat iron rear bow	7.50			
9 4141730	Rear bow	10.85			
10 4141735	Bow, No. 1	40.35			



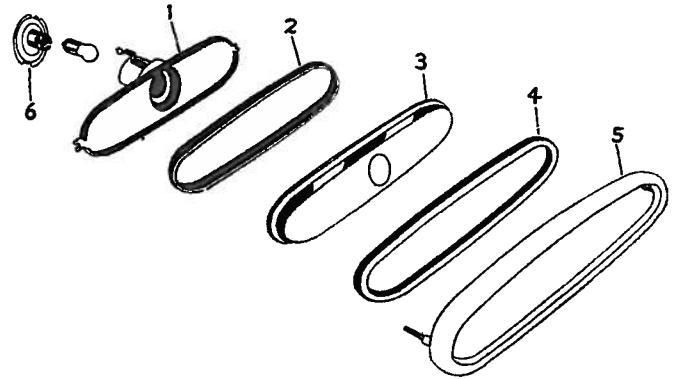
DECK LID

COUPES			4 DOOR		
Item Part No.	Description	Price	Item Part No.	Description	Price
1 4161744	Deck lid	32.00	1 4161449	Deck lid	32.00
2 4125998	W/strip, up. and sides	5.85	2 4125998	W/strip, up. and sides	5.85
3 4131409	Hinge box	2.30	3 4131406	Hinge box	2.30
4 4131407	Hinge strap	2.30	4 4165797	Hinge strap	1.00
5 4147917	Handle assy.	4.05	5 4147917	Handle assy.	4.05
6 4131389	Remote control	3.00	6 4131389	Remote control	3.00
7 4131433	Lock assy.	3.00	7 4131433	Lock assy.	3.00
8 4131758	Deck lid sup.	3.40			



BACK WINDOW

4 DOOR					
Item Part No.	Description	Price	Item Part No.	Description	Price
1 4131085	Reveal midg., up.	3.80	3 4125242	Glass	19.75
2 4131094	Reveal midg., low. corner	2.30	4131022	Reveal midg. sealing channel	1.50
			4 4131021	Rubber channel	3.80

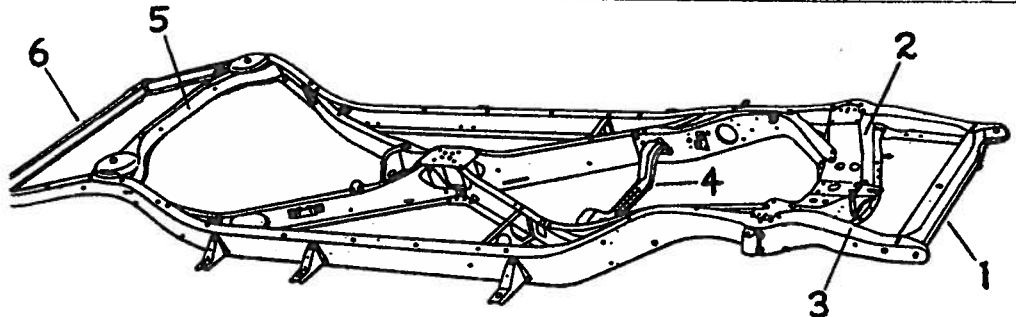


STOP LAMP

Item Part No.	Description	Price
927213	Stop lamp	5.85
1 5932990	Body	2.20
2 5932916	Gasket	.20
3 5932911	Lens, 1946-47	1.10
3 5937266	Lens, 1948	.65
4 417427	Gasket, L., club sed. & conv.	.40
4 419223	Gasket, L., 4 D. sed.	.60
5 5932993	Retainer	.95
6 5932955	Socket	.35
5289039	Plug wire	.50

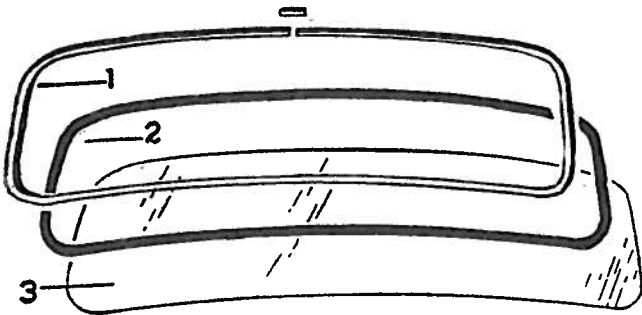
FRAME

Item Part No.	Description	Price
416398	Frame assy.	80.00
416648	Frame assy. (conv.)	108.50
1 417764	Frame rad, sup.	1.90
2 417765	Front crossmember	12.65
3 417768	Rad. brkt.	.45
4 414785	Second crossmember, S.T.	1.90
4 418705	Second crossmember, H.T.	2.90
5 417810	Third crossmember	7.50
5 554006	Third crossmember	7.50
6 415529	Rear crossmember	2.90



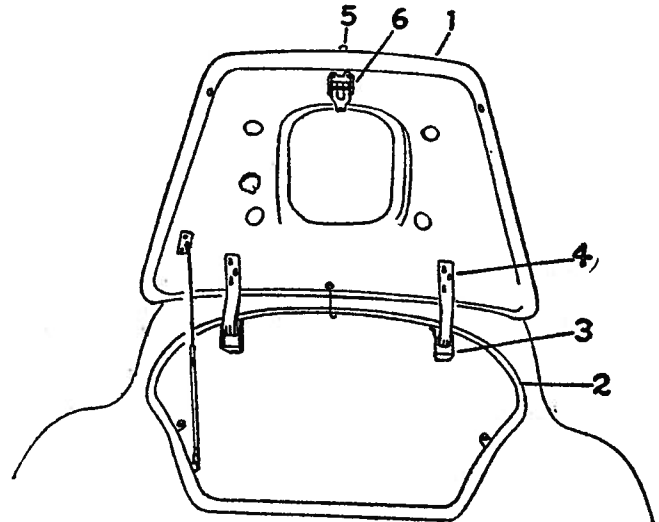
BODY PARTS 1946 and 1947 OLDSMOBILE

Series 98. ALL BODY STYLES



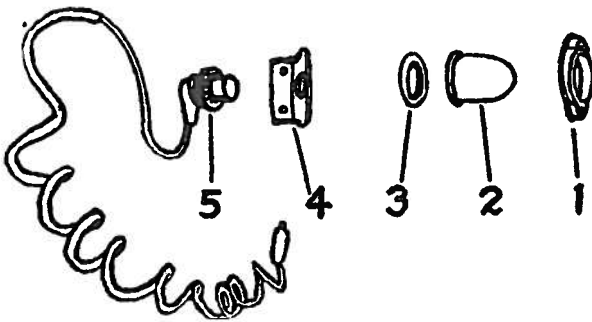
**BACK WINDOW
2 DOOR**

Item	Part No.	Description	Price
1	4131081	Reveal midg.	6.00
2	4125388	Rubber channel	2.75
3	4125261	Glass	19.00



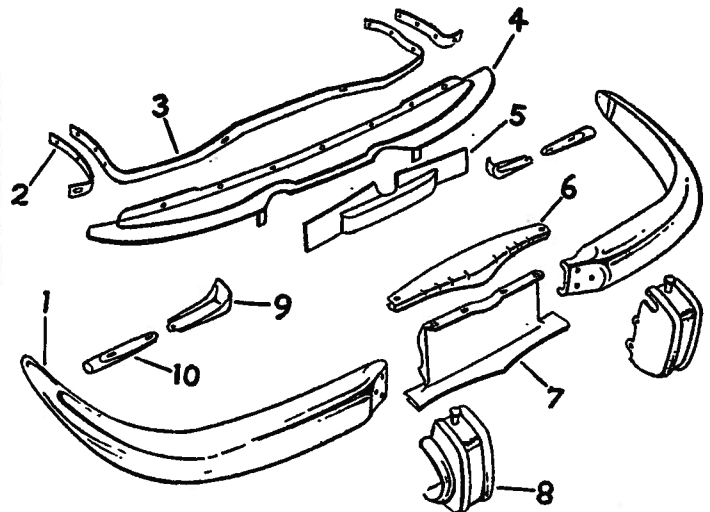
**DECK LID
2 DOOR**

Item	Part No.	Description	Price
1	4161745	Deck lid	29.50
2	4125998	W/strip, up. and sides	5.85
3	4131404	Hinge box	2.30
4	4165797	Hinge strap	1.00
5	4147917	Handle assy.	4.05
6	4129651	Lock assy.	2.60



LICENSE LAMP

Item	Part No.	Description	Price
	5935909	Lic. lamp	2.15
1	5937449	Door	1.50
2	5935910	Glass	.15
3	5935912	Gasket	.05
4	5935913	Lic. brkt.	.20
5	5935914	Socket and wiring	1.15

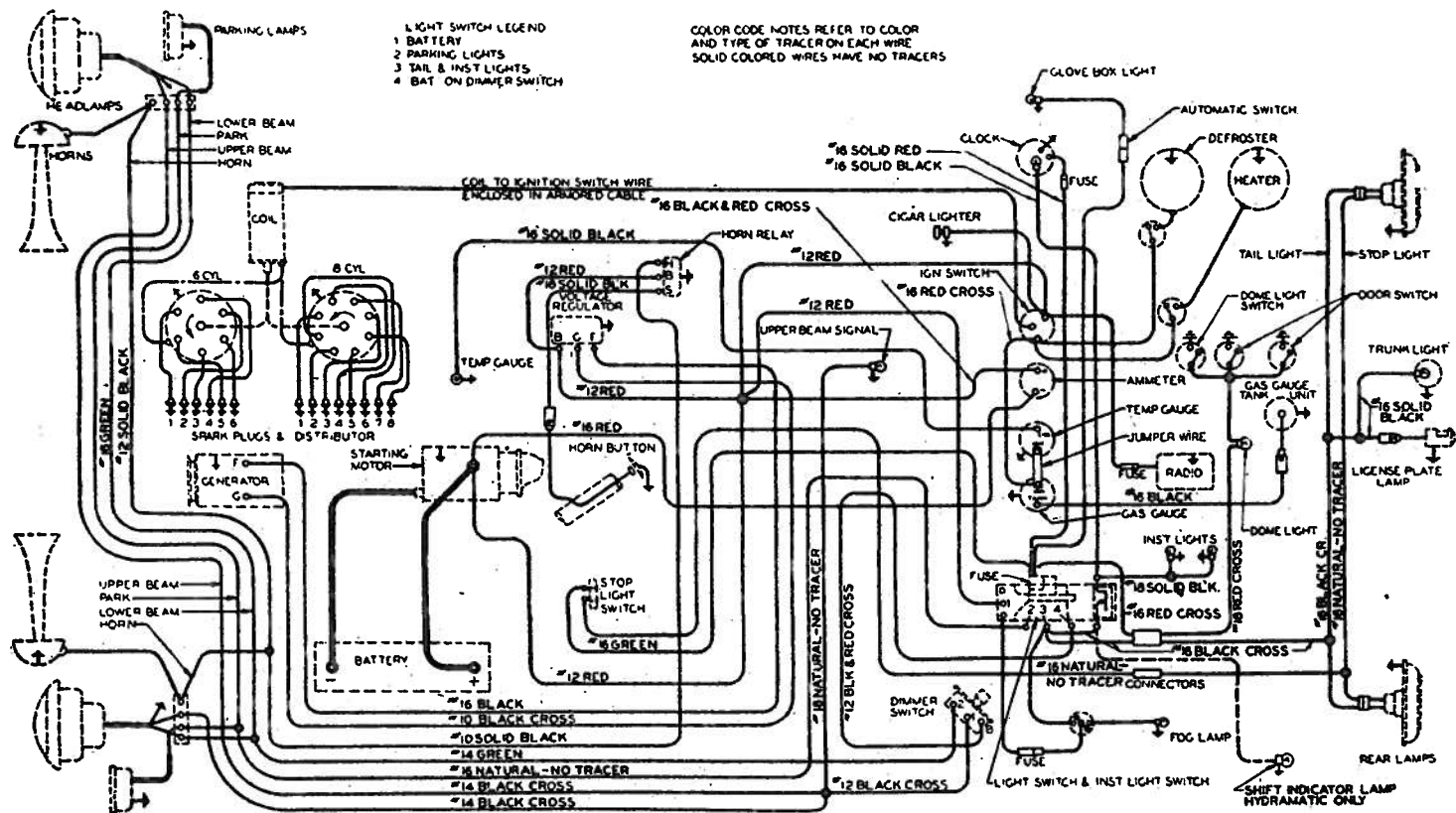


REAR BUMPER

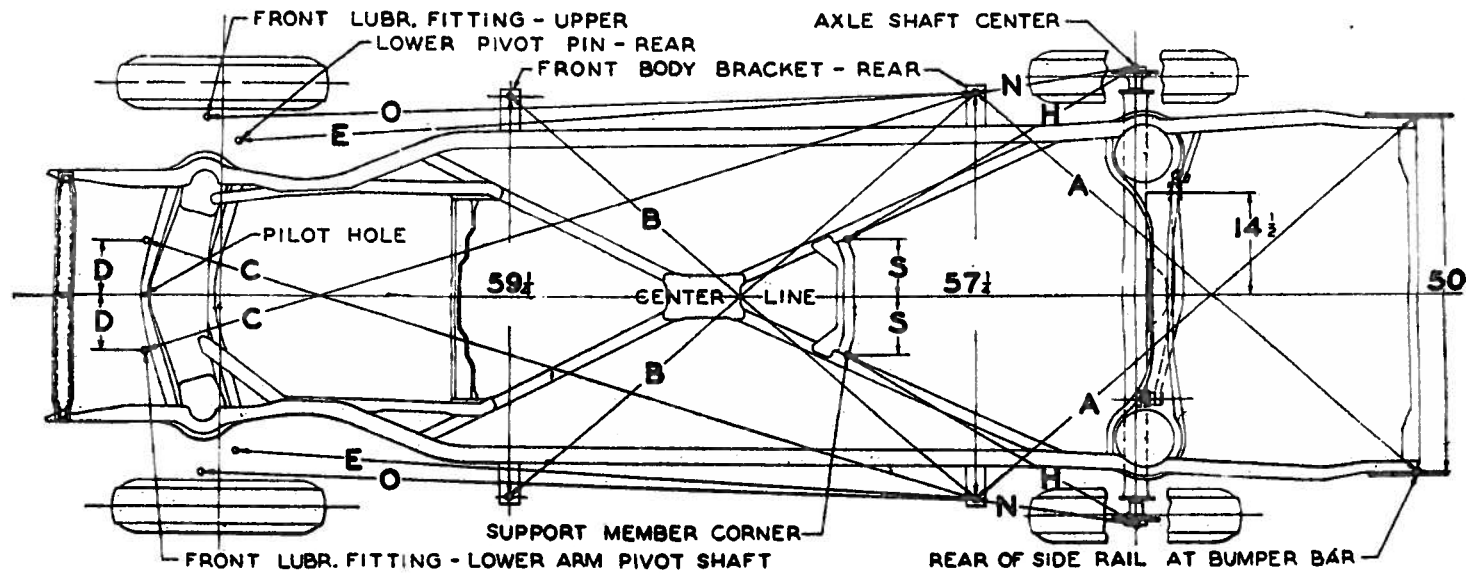
Item	Part No.	Description	Price
1	418807	Face bar, L.	16.50
2	419257	Bar, out.	1.95
3	419255	Center	4.20
4	419170	Deflector	3.10
5	419268	Guard cover	.80
6	5936288	Up. rail	5.40
7	5936290	Rail & plate	8.05
8	9700003	Guard	7.25
9	418778	Brkt., in.	.50
10	418777	Brkt., out.	.50

OLDSMOBILE 1946 and 1947 WIRING AND FRAME

Series 98. ALL BODY STYLES



Wiring Diagram—Series—98



Frame Dimensions—127" W.B. Series—98

FLAT RATE 1946 and 1947 OLDSMOBILE Series 98. ALL BODY STYLES

Chilton Job No.	Chilton Labor Price	Chilton Job No.	Chilton Labor Price	Chilton Job No.	Chilton Labor Price	Chilton Job No.	Chilton Labor Price	Chilton Job No.	Chilton Labor Price	Chilton Job No.	Chilton Labor Price	Chilton Job No.	Chilton Labor Price	Chilton Job No.	Chilton Labor Price	Chilton Job No.	Chilton Labor Price	Chilton Job No.	Chilton Labor Price
A		A—continued		A—continued		B—continued		C—continued		D		E—continued		E—continued		F—continued		G	
1.....	4.00	6.....	20.00	20.....	6.50	9.....	28.00	3.....	28.00	1.....	4.00	2.....	25.00	12.....	12.00	2.....	24.00	1.....	120.00
1a.....	3.50	7.....	3.00	20x.....	10.00	10.....	4.50	4.....	2.00	1a.....	3.50	3.....	32.50	13.....	32.50	3.....	32.50	2.....	28.00
2.....	2.50	8.....	2.50			11.....	4.50	5.....	4.00	2.....	2.50	4.....	25.00	14.....	120.00	4.....	2.00	3.....	32.50
3.....	6.50	9.....	5.25	B		12.....	4.00	6.....	4.50	3.....	6.50	5.....	32.00	15.....	105.00	5.....	5.00	4.....	32.00
4.....	18.50	10.....		1.....	4.00	13.....	2.00	7.....	2.00	4.....	12.00	6.....	30.00	16.....	80.00	6.....	7.00	5.....	16.00
4a.....		11.....	3.00	1a.....	7.50	14.....	3.00	8.....	3.75	5.....	18.00	7.....	18.00	17.....	50.00	7.....	2.00	6.....	7x.....
4b.....	1.00	12.....	8.75	2.....	24.00	15.....	1.25	9.....		6.....	12.00	7x.....		18.....	20.00	8.....	3.75	7.....	
4c.....	6.00	13.....	3.00	3.....	32.50			10.....	4.50	7.....	18.00	8.....		19.....	12.00	9.....	4.00	8.....	75.00
5.....	12.75	14.....	3.50	4.....	2.00			11.....	4.50	8.....		9.....	70.00			10.....	4.50	9.....	48.00
5a.....	4.00	15.....	1.00	5.....	3.75	C		12.....	4.00	9x.....	80.00	10.....	80.00			11.....	5.00	10.....	60.00
5b.....	4.00	16.....		6.....	4.50	1.....	4.00	13.....		8y.....	75.00	11.....	75.00	F		12.....	4.00	11.....	12.00
5c.....	4.00	17.....	1.00	7.....	2.00	1a.....	7.00	14.....	3.00	10.....	45.00	1.....	4.00	13.....	12.00	13.....	12.00	12.....	12.00
5d.....	6.00	18.....	10.00	8.....	3.75	2.....	20.00	15.....	1.25	1.....	120.00	1a.....	6.50	14.....	3.00	14.....	3.00	13.....	12.00

STEERING GEOMETRY

CASTER: Zero to 3/4 degree negative.

CAMBER: 1/4 degree negative to 3/4 degree positive.

TOE-IN: 1/16 to 1/8 inches.

KING PIN INCLINATION: Four degree fifty-one minutes ten seconds.

ADJUSTMENTS

CASTER: is controlled by full turns of the upper eccentric pin.

CAMBER: is controlled by eccentric upper pin and full range is obtained in one-half turn.

TOE-IN: Should be adjusted at both tie rod sleeves.

