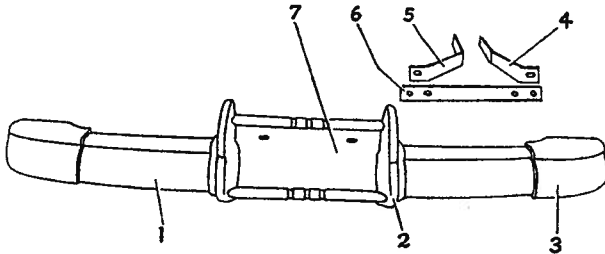


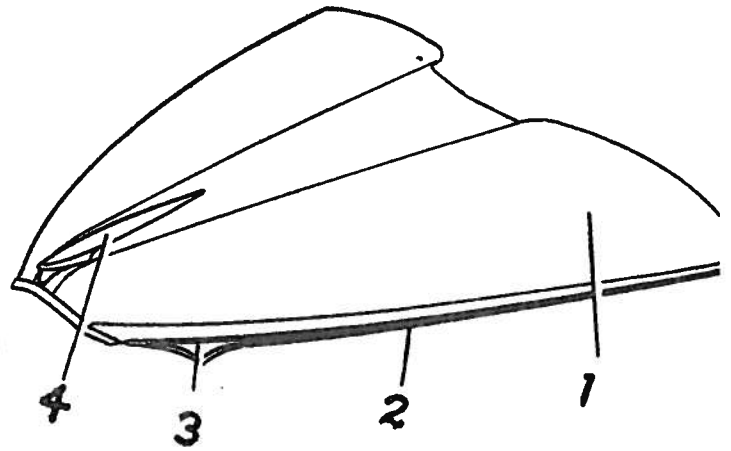
PACKARD CLIPPER EIGHT 1946 and 1947 BODY PARTS

Series 2101, 2103, 2106, 2111. ALL BODY STYLES



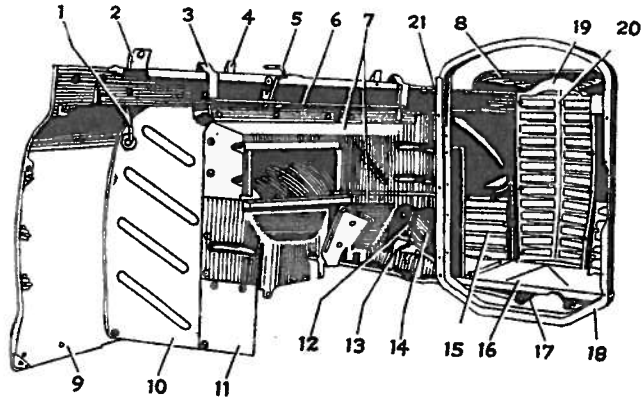
FRONT BUMPER ASSEMBLY

Item	Part No.	Description	Price	Item	Part No.	Description	Price
		387783—Bumper assy.	\$55.00			373515—Liner, fender	.09
1	387883	—Bar, face	21.50	4	384258	—Bar, out. L.	3.20
2	387781	—Guard, L.	5.35	5	384257	—Bar, in. L.	3.20
3	387770	—Guard, L. fender	8.85	6	384263	—Bar, cross L.	N.P.
	383360	—Shield, stone	10.10	7	387774	—Guard, F. lic.	1.15



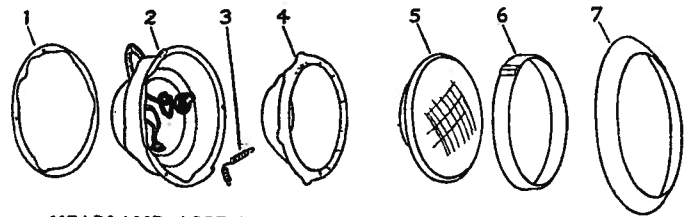
HOOD ASSEMBLY

Item	Part No.	Description	Price	Item	Part No.	Description	Price
1	383444	—Hood assy., 2101, 11	35.00		380093	—Handle & link, L...	N.P.
1	383441	—Hood assy., 2103, 06	39.00		380091	—Handle & bracket, lock, L.	2.90
2	378914	—Mold., side, L., 2101, 11	5.70		383364	—Prop	.30
2	379040	—Mold., side, L., 2103, 06, 26		372174	—Bumper, cowl	.07
3	379124	—Barb, chrome, L.	3.00		370543	—Wthstp. on cowl	.90
4	383544	—Ornament assy.	4.45		372244	—Retainer, wthstp.	.30



FRONT FENDER & RADIATOR ASSEMBLY

Item	Part No.	Description	Price	Item	Part No.	Description	Price
1	373573	—Brace, L.	.46	12	362848	—Tie rod	5.50
2	378864	—Dowel, rear	.20	13	362825	—Bracket	.46
3	372295	—Clamp, lock L.	.46	14	378799	—Splasher, L., 1612, 15, 92, 95-2112, 15, 92, 95	6.35
4	378670	—Guide	1.40	14	379262	—Splasher, L., 1622, 25, 72-2122, 25, 72, 75	6.35
5	370413	—Catch assy., L.	.70	14	379726	—Baffle, L., 1612, 15, 92, 95-2112, 15, 92, 95	2.90
6	372338	—Rod, 2100, 01, 11	.46	15	383687	—Grille, L.	15.20
6	372777	—Rod, 2103, 06	.60	16	378695	—Splasher, rad. low	2.25
7	378632	—Splasher, low, L., 2101, 11	7.60	17	373524	—Panel, rad.	.55
7	373418	—Splasher, low, L., 2103, 06, 22, 25, 72, 75, 1622, 25, 72, 75	6.90	18	378692	—Cradle assy., 2103, 06	11.00
8	379050	—Splasher, rad. top, 2101, 11	2.55	18	378596	—Cradle assy.	8.25
8	371304	—Splasher, rad. top, 2103, 06	2.90	19	383540	—Grille assy.	30.35
9	380055	—Fender assy., L., 1622, 72, 75, 2122, 25, 75	55.00	20	383541	—Shield assy. grille	5.05
9	378954	—Fender assy., L., 1692-95	55.00	21	378636	—Core assy., 2101, 11, 378448—Core assy., 2103, 06	73.50
9	383730	—Fender assy., L., 2112, 15	55.00	21	378667	—Bracket, fender, L., 2101, 11	2.55
10	371647	—Shield, fender	1.75	21	371295	—Bracket, fender, L., 2103, 06	.60
11	373680	—Extension, splasher	.23		378248	—Drain cock	.46
	373433	—Splasher, L., up, 1622, 25, 72, 75, 2122, 25, 72, 75	5.00				



HEADLAMP ASSEMBLY

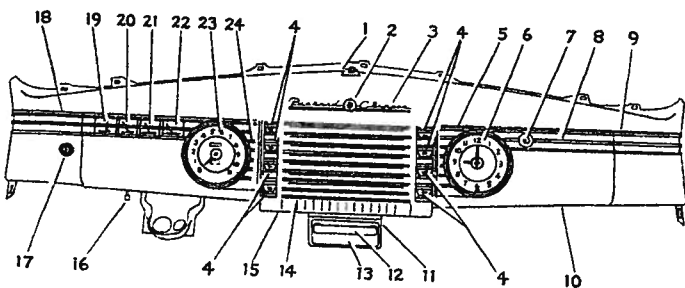
Item	Part No.	Description	Price
1	371402	—Gasket, fender	.28
2	371924	—Body assy.	3.45
3	371562	—Spring, adj.	.31
4	371404	—Mounting assy.	2.05
5	339528	—Bulb	1.30
6	354145	—Retainer, bulb	1.85
7	371405	—Door, lamp	2.75

PARKING LIGHT

Item	Part No.	Description	Price
8	382339	—Body	2.25
	383455	—Boot, socket	.18
9	378587	—Glass	1.00
10	378589	—Gasket	.23
11	378588	—Door, lamp	3.20

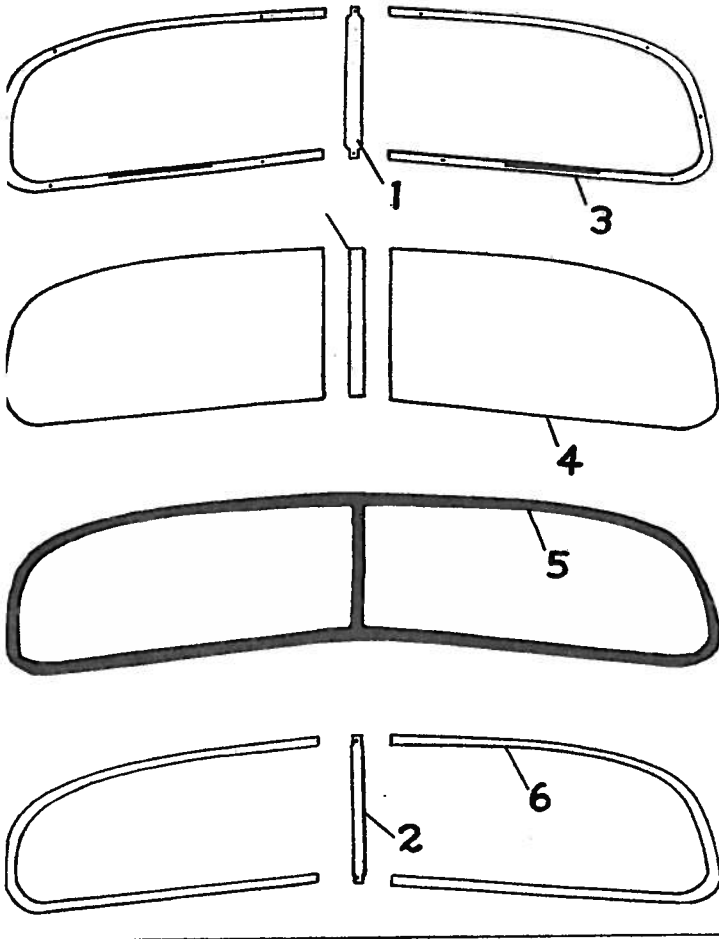
INSTRUMENT PANEL

Item	Part No.	Description	Price	Item	Part No.	Description	Price
1	385401	—Panel assy.	23.00	12	372424	—Handle, ash rec., 2106	1.15
2	371713	—Medallion	1.25	13	385502	—Cover, ash rec., ex., 06	1.40
3	385339	—Plate, script	2.30	13	385515	—Cover, ash rec., 2106	1.30
4	373198	—Knob, lighter	1.60	14	371541	—Cover, radio, chrome	1.80
4	377796	—Knob, elec. clutch	N.P.	14	385979	—Cover, paint, 1692, 95	2.30
4	373752	—Knob, hd. lights	2.50	15	371539	—Panel, cent., chrome	12.00
4	373197	—Knob, inst. lights	.90	15	385978	—Panel, cent., paint, 1692, 95	9.20
4	373195	—Knob, defroster	N.P.	16	358156	—Knob, reset	.55
4	377706	—Knob, air	.90	17	382425	—Switch & cable, A.L.	4.60
4	373196	—Knob, heater	N.P.	18	377387	—Mold. trim, L., chrome	2.30
4	373193	—Knob, fog light	.65	18	385985	—Mold. trim, L., paint, 1692-95	2.30
5	385759	—Mold., chrome, 2101, 3, 6, 11	4.40	19	387673	—Ammeter, brown	1.50
5	385975	—Mold., paint, 2101	5.00	20	387671	—Gauge, gas, brown	2.85
6	382368	—Clock, brown	21.50	21	387674	—Gauge, temp., brown	3.50
7	385534	—Cyl. lock	1.75	22	387671	—Gauge, oil, brown	2.85
8	385525	—Handle	1.15	23	382353	—Speed., 2101	18.40
9	377407	—Mold. trim, R., chrome	2.30	23	382357	—Speed., ex., 2101	21.30
9	385984	—Mold. trim, R., paint, 1692, 95	2.30	24	377389	—Mold., chrome	5.75
10	385376	—Panel, glove compt., ex., 2106	12.00	24	385981	—Mold., paint, 1692, 95	4.50
10	385489	—Panel, glove compt., 2106	6.00				
11	385452	—Retainer & rim	2.00				
12	375619	—Handle, ash rec., ex., 06	.41				



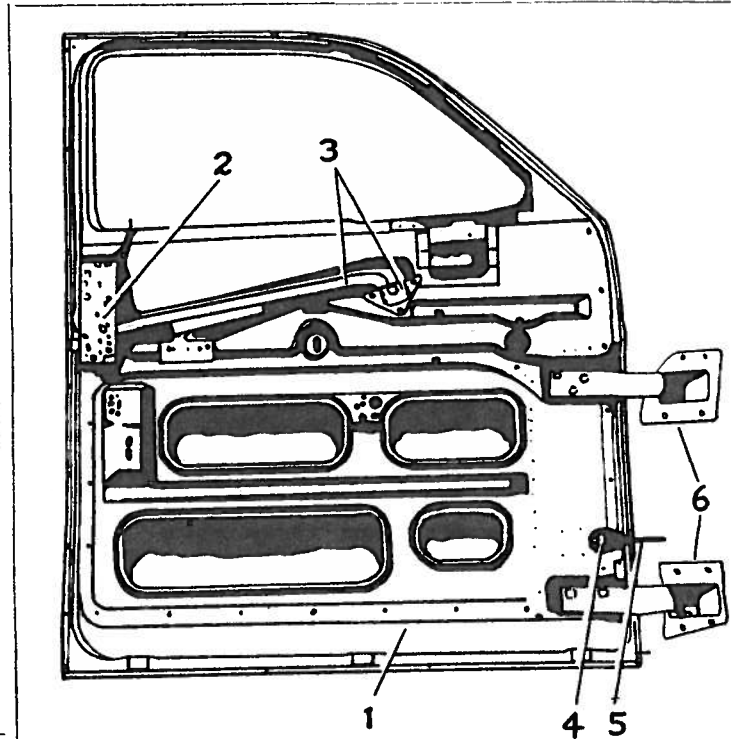
BODY PARTS 1946 and 1947 CLIPPER EIGHT PACKARD

Series 2101, 2103, 2106, 2111. ALL BODY STYLES



WINDSHIELD ASSEMBLY

Item Part No.	Description	Price	Item Part No.	Description	Price
1	376065—Reinfmt. div.	1.00	372018	Plug14
2	376895—Mold. div., out.	2.30	4	370168—Glass	11.05
	385588—Mold. div., in., ex.,		5	370169—Wthstp.	6.00
	1622, 25, 2122, 25	1.15		995102—Cordwelt, ex., 1622,	
	380314—Mold. div., in., 1622,			25, 2122, 2560
	25, 2122, 25	3.00		995099—Cordwelt, 1622, 25,	
3	374952—Mold. fin., 1622, 25,	17.25		2122, 2590
	2122, 25		6	369435—Rim	4.14
3	385384—Mold. fin., ex., 1622,	8.65			
	25, 2122, 25				



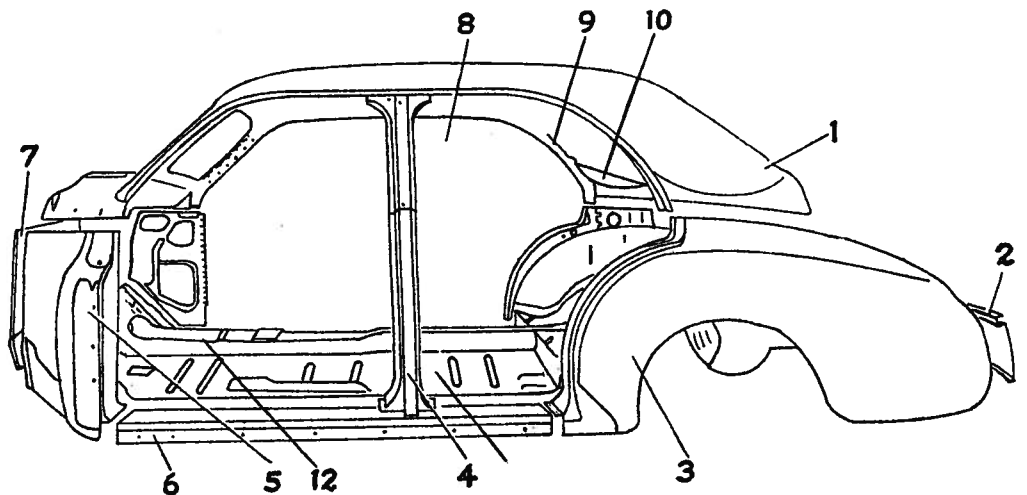
FRONT DOOR ASSEMBLY 2 AND 4 DOOR TYPE

Item Part No.	Description	Price	Item Part No.	Description	Price
1	385947—Door, L., 1615, 25,		3	372357—R. control, L., 1612,	
	75, 95, 2115, 25, 75, 95	50.00		22, 72, 92, 2112, 22, 72, 92..	.85
1	385477—Door, L., 1612, 22, 72,	50.00	3	374293—R. control, L., 1615,	
	92, 2112, 22, 72, 92			25, 75, 95, 2115, 25, 75, 95.	.85
2	380181—Lock, L., ex., 1622,	3.45	4	372091—Bumper, check stop	N.P.
	25, 2122, 25		5	372249—Check arm assy.41
2	380171—Lock, L., 1622, 25,	9.00	6	375357—Hinge, L., up.	3.45
	2122, 25		6	375355—Hinge, L., low.	3.45
				385941—Panel, L., out. rep.	10.60

CAR BODY

2 AND 4 DOOR TYPE

Item Part No.	Description	Price
1	392486—Roof assy., 1615, 25,	95.00
	75, 95, 2115, 25, 75, 95	
1	392484—Roof, 1612, 22, 72, 92,	75.00
	2112, 22, 72, 92	
2	369416—Panel, rear end	3.45
3	385201—Fender & wh. house,	39.20
	1612, 2112, 22, 72, 92	
3	392437—Fender & wh. house,	45.00
	L., 1615, 2115, 25, 75, 95..	
4	370023—Pillar, cent., 1612,	11.50
	22, 72, 2112, 22, 72L.	
4	380415—Pillar, cent., L.,	13.80
	1692, 2192	
5	385345—Pnel, cowl side, L.	13.00
6	383387—Pnel sill, L., 1612, 22,	2.75
	72, 92, 2112, 22, 72, 92	
6	385177—Panel sill, L., 1615,	2.75
	25, 75, 95, 2115, 25, 75, 95.	
7	380139—Panel, dash	10.35
8	370391—Mold., gutter, L.,	2.10
	1612, 22, 72, 92, 2112, 22,	
	72, 92	
8	385951—Mold., gutter, L.,	1.40
	1615, 25, 75, 95, 2115, 25,	
	75, 95	
9	372299—Rail, L., 1612, 22, 72,	5.75
	92, 2112, 22, 72, 92	
9	374189—Rail, L., 1615, 25, 75,	3.00
	95, 2115, 25, 75, 95	
10	370061—Reinfmt., L., 1612,	2.30
	22, 72, 92, 2112, 22, 72, 92.	
10	366783—Reinfmt., L., 1615,	.60
	25, 75, 95, 2115, 25, 75, 95.	
12	370534—Cover, trans.	1.00

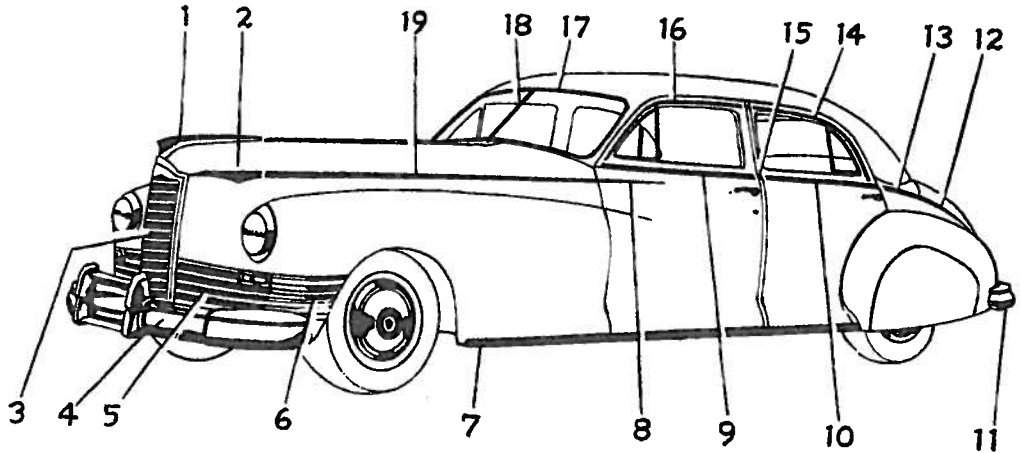


BODY PARTS 1946 and 1947 CLIPPER EIGHT PACKARD

Series 2101, 2103, 2106, 2111. ALL BODY STYLES

OUTSIDE MOLDINGS (4 DOOR)

Item Part No.	Description	Price
1 383544	Ornament assy.	4.05
2 379124	Side mold., L.	2.75
3 383540	Grille assy.	27.60
4 387783	Bumper, front	50.00
5 383687	Grille, L.F. fender..	13.80
6 378862	Mold., fender grille, L., up.	1.75
6 378864	Mold., fender grille, L., center	1.75
6 378866	Mold., fender grille, L., center	1.75
6 379492	Mold., fender grille, L., low.	1.75
7 372273	Mold., L., floor side sill	4.15
8 372035	Mold., L., extension	2.10
9 370187	Mold., L., front door belt	3.45
10 370189	Mold., L., rear door belt	3.45
11 387784	Bumper, rear	40.00
12 372289	Mold., L., trunk lid belt	2.10
13 370191	Mold., L., rear qtr. belt	1.40
14 372531	Rim, L., window finish	2.10
15 372494	Mold., center pillar belt	1.15
16 372507	Rim, L., chrome window finish	2.10
17 385384	Mold., wdshld. finishing	8.65
18 376695	Mold., div. finish, out.	2.30
19 379040	Mold., L., hood side	5.75



REAR DOOR INTERIOR

Item Part No.	Description	Price
1 392515	Mold. & seal, L., 1612, 72, 2112, 72	11.50
1 392517	Mold. & seal, L., 1622, 2122	13.00
1 385187	Mold. & seal, L., 1692, 2192	8.00

Item Part No.	Description	Price
2 374407	Plate, L.	1.60
3 376610	Trim, 1612, 72, 2112, 72	.70
3 376609	Trim, 1622, 2122	1.00
4 375610	Escutcheon	.70
5 370184	Handle	.90
6 375792	Handle	1.15

Item Part No.	Description	Price
8 372113	Wthstp., L., lock, up.	2.10
8 376571	Wthstp., L., lock, low.	1.40
9 385441	Mold., up., 1612, 72, 2112, 72	1.50
9 385442	Mold., low., 1612, 72, 2112, 72	1.30
9 385443	Mold., vert., 1612, 72, 2112, 72	.30
9 385489	Mold., L., 1622, 2122	7.00

CLOTH

7 251013	Panel, L., 1612, 72, 2112, 72	10.50
7 251095	Panel, L., 1622, 2122	13.25
7 251073	Panel, L., 1692, 2192	10.60

LEATHER

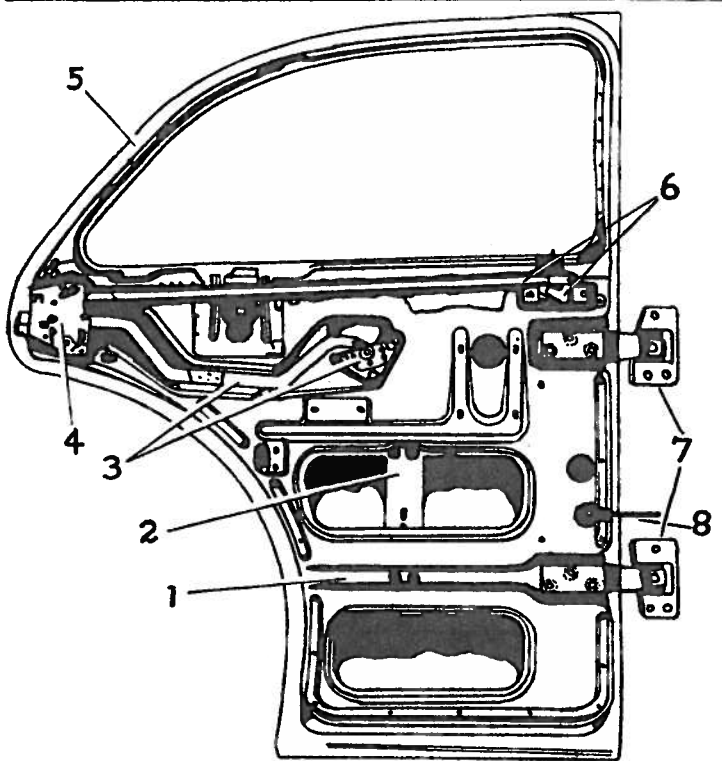
7 251163	Panel, L., 1612, 72, 2112, 72	8.00
7 251165	Panel, L., 1692, 2192	8.00
8 376575	Wthstp., L., hinge side	2.55

CLOTH

9 385439	Mold., L., 1692, 2192	1.00
9 385417	Mold., L., 1692, 2192	.40

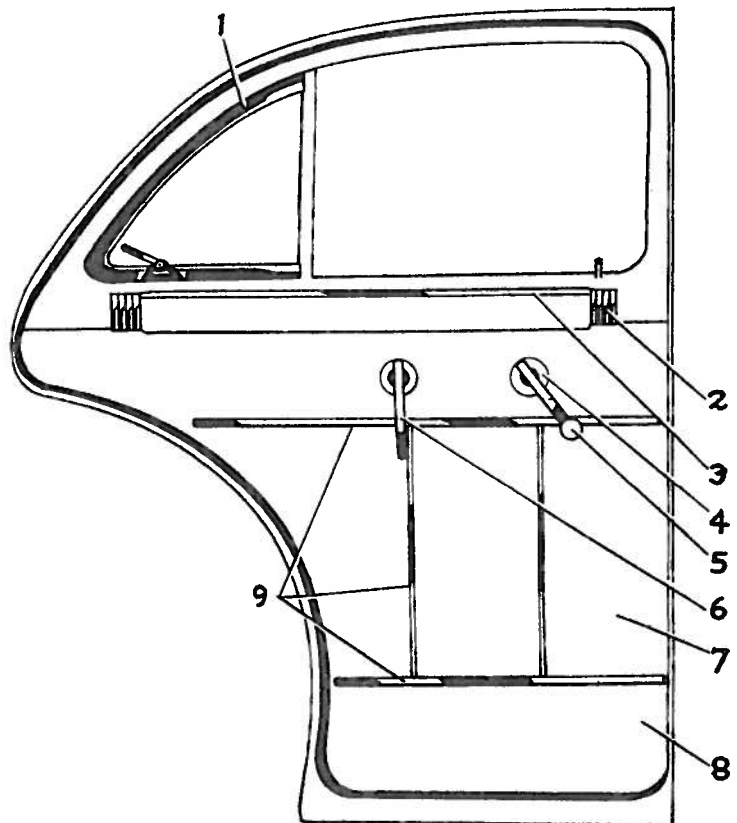
LEATHER

9 392545	Mold., L., 1692, 2192	1.50
9 385417	Mold., L., 1692, 2192	.40



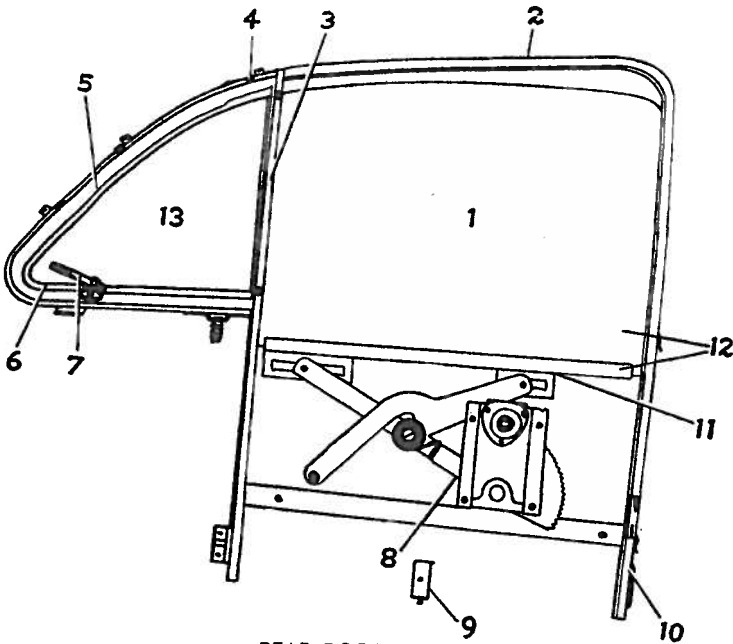
REAR DOOR ASSEMBLY

Item Part No.	Description	Price
1 376547	Door, L.	47.00
2 370479	Support, glass60
3 372361	Remote control, L.81
4 370281	Lock, L., ex., 1622, 2122	2.10
4 380168	Lock, L., 1622, 2122	6.50
5 372113	Wthstp., up. L.	2.10
5 376571	Wthstp., low. L.	1.40
6 376045	Control assy., L.	1.05
7 370595	Hinge, L., up.	1.40
7 370597	Hinge, L., low.	1.40
8 372190	Check arm assy.41
385943	Panel, rep., L.	9.90



PACKARD CLIPPER EIGHT 1946 and 1947 BODY PARTS

Series 2101, 2103, 2106, 2111. ALL BODY STYLES



REAR DOOR WINDOW

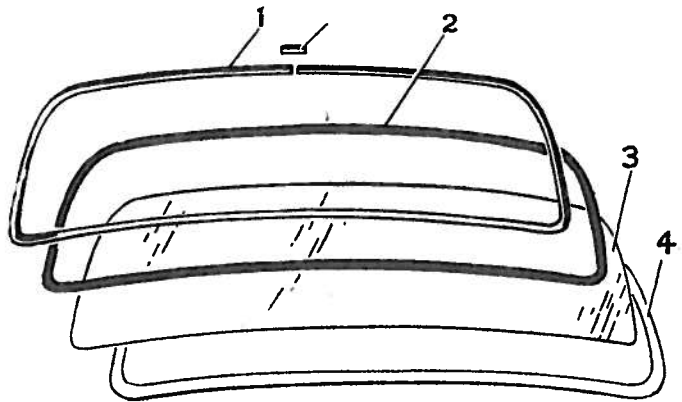
Item Part No.	Description	Price	Item Part No.	Description	Price
1 370041	Glass	4.45	6 372781	Retainer, L.	4.15
2 370335	Runway, L., 1692, 2192	1.80	7 372799	Handle, L.	.70
2 376601	Runway, L., ex., 1692, 2192	2.00	8 370273	Regulator, L.	2.70
3 376271	Retainer, runway, L.	4.15	9 370378	Stop	.14
4 380499	Retainer assy., L.	3.80	10 380555	Retainer, L.	.60
5 370403	Wthstp., L.	1.50	11 370437	Lifter assy., L.	.85
			12 370163	Glass & lifter assy., L.	N.P.
			13	Vent. glass	

REAR QUARTER WINDOW ASSEMBLY

Item Part No.	Description	Price	Item Part No.	Description	Price
1 375025	Runway, L., up. & rear, 1615, 25, 75, 2115, 25, 75	2.30	314805	Cushion, .070 x 1 1/4", 1615, 25, 75, 95, 2115, 25, 75, 95	.12
1 375023	Runway, L., up. & rear, 1695, 2195	2.30	4 374403	Dust seal, L., in., 1615, 25, 75, 2115, 25, 75	1.15
2 375027	Runway, L., front, low., 1615, 25, 75, 95, 2115, 25, 75, 95	.60	4 374405	Dust seal, L., in., 1695, 2195	1.15
385353	Retainer, L., front, 1615, 25, 75, 95, 2115, 25, 75, 95	.90	4 375031	Dust seal, L., out., 1615, 25, 75, 2115, 25, 75	1.15
385355	Retainer, L., rear, 1615, 25, 75, 95, 2115, 25, 75, 95	.90	4 375033	Dust seal, L., out., 1695, 2195	1.15
3 374883	Glass, 1615, 25, 75, 95, 2115, 25, 75, 95	6.65	374317	Lifter assy., L., 1615, 25, 75, 95, 2115, 25, 75, 95	1.15
314804	Cushion, .060 x 1 3/4", 1615, 25, 75, 95, 2115, 25, 75, 95	.12	5 374425	Regitr., L., 1615, 25, 75, 95, 2115, 25, 75, 95	4.85
			375792	Handle, regitr.	1.15
			375610	Escutcheon, 1615, 25, 75, 95, 2115, 25, 75, 95	.70

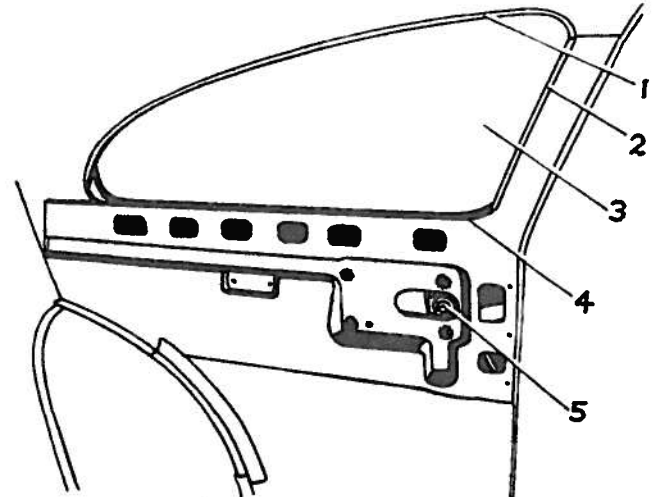
OUTSIDE MOLDINGS (2 DOOR)

Item Part No.	Description	Price
1 383544	Ornament assy.	4.05
2 379124	Side mold., L.	2.75
3 383540	Grille assy.	27.60
4 387783	Bumper, front	50.00
5 383687	Grille, L.F. fender.	13.80
6 378862	Mold., fender grille, L., up.	1.75
6 378864	Mold., fender grille, L., center	1.75
6 378866	Mold., fender grille, L., center	1.75
6 379492	Mold., fender grille, L., low.	1.75
7 372273	Mold., L., fl. side sill	4.15
8 372035	Mold., extension, L.	2.10
9 375297	Mold., L., door belt	3.00
10 375205	Mold., L., rear qtr. belt	4.05
11 387784	Bumper, rear	40.00
12 385957	Rim, L., finishing qtr. panel window	1.50
13 375173	Rim, L., door window finish	1.75
14 385384	Mold., wdshid. finish	2.00
15 376693	Mold., wdshid. div. bar out.	2.30
16 378914	Mold., L., hood side	5.20

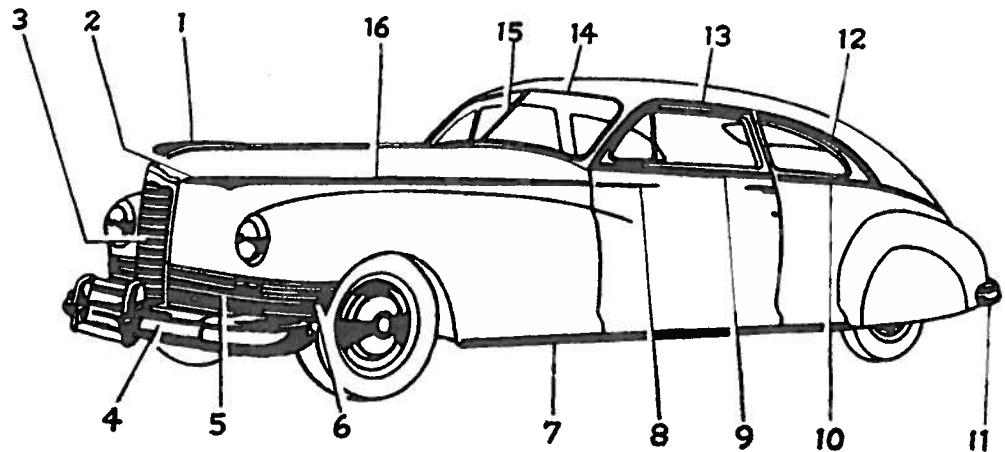


REAR WINDOW ASSEMBLY

Item Part No.	Description	Price	Item Part No.	Description	Price
1 370196	Rim, 1612, 22, 72, 92, 2112, 22, 72, 92	3.45	3 369334	Glass, 1612, 22, 72, 92, 2112, 22, 72, 92	13.80
1 374906	Rim, 1615, 25, 75, 95, 2115, 25, 75, 95	4.15	3 374222	Glass, 1615, 25, 75, 95, 2115, 25, 75, 95	20.15
2 372812	Clip		4 385385	Mold., 1612, 72, 92, 2112, 72, 92	6.35
2 369335	Wthstp., 1612, 72, 92, 2112, 72, 92	2.90	4 385396	Mold., 1615, 75, 95, 2115, 75, 95	4.00
2 374223	Wthstp., 1615, 75, 95, 2115, 75, 95	2.90			



Item Part No.	Description	Price	Item Part No.	Description	Price
383167	Mold., L., 1695, 2195	7.50	25, 75, 2115, 25, 75	1.60	
375158	Trim, strip, 1615, 25, 75, 2115, 25, 75	1.95	392523	Mold., L., 1615, 75, 2115, 75	10.00
374407	End plate, L., 1615,		392521	Mold., L., 1625, 2125	10.00

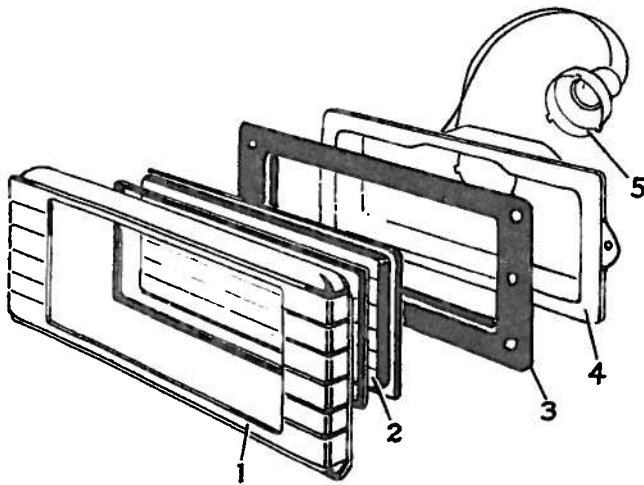
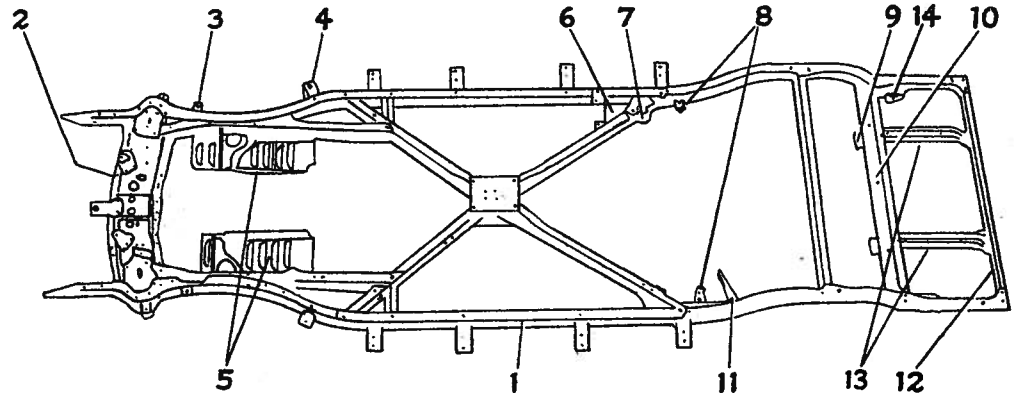


BODY PARTS 1946 and 1947 CLIPPER EIGHT PACKARD

Series 2101, 2103, 2106, 2111. ALL BODY STYLES

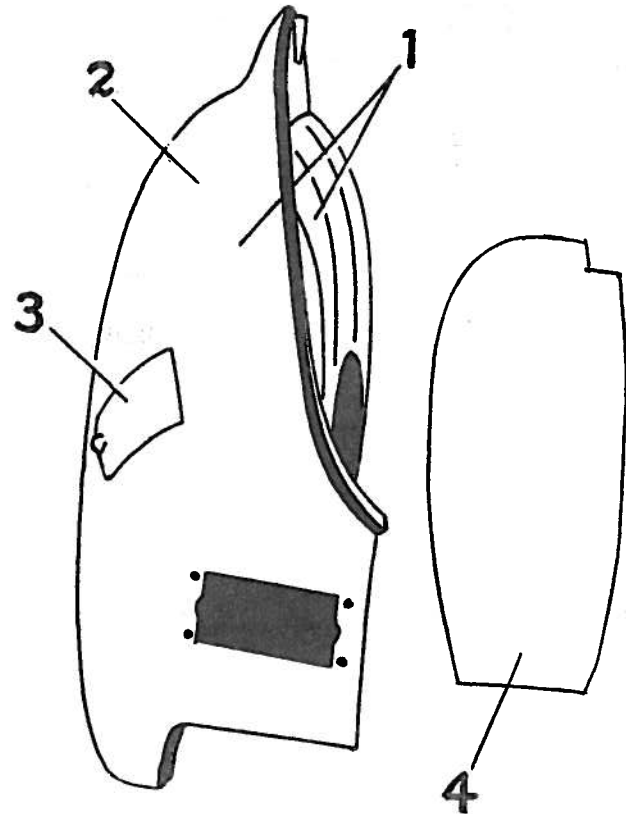
FRAME ASSEMBLY

Item Part No.	Description	Price
1 373924	Frame, 2101, 11	82.80
1 377286	Frame, 2103, 06	110.00
2 373965	Chan. front, 2101, 11	20.00
2 373966	Chan. front, 2103, 06	20.00
3 341937	Bracket, hose, F...	.06
4 371854	Bracket, body, #1...	.50
4 371853	Bracket, body, #2...	.70
4 371852	Bracket, #3 & 4	.70
4 373116	Bracket, #5	.85
5 377515	Splasher, L., 03, 06	2.00
6 371919	Bracket, muf., 01, 11	.30
6 373851	Bracket, muf., 03, 06	.60
7 367935	Bracket, L.	1.40
8 373220	Bracket, L.R. cable	N.P.
9 348573	Bracket, shock, R...	.45
0 367204	Chan., rear	2.30
1 371179	Bracket, hose, R...	.41
2 373018	Chan., tank sup...	3.45
3 371037	Sup., L., gas tank...	1.00
4 367202	Bracket, sprg., R.L.	2.75



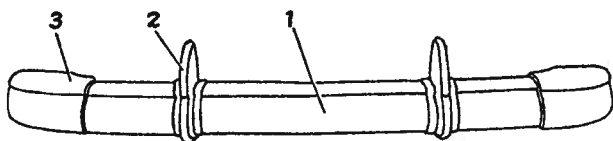
REAR LIGHTS

Item Part No.	Description	Price	Item Part No.	Description	Price
371569	Tail & stop, L., stamped, 2101	7.60	3 371620	Gasket, body, L., lamp 371569, 2101	.40
377656	Tail & stop, L., stamped, sig., 2111	N.P.	3 383417	Gasket, L., lamp 383415, 2101	.41
383415	Tail & stop, L., die cast, 2101	7.60	3 383419	Gasket, L., lamp 383411, 2103, 6, 11	.23
383411	Tail & stop, L., die cast, 2103, 06, 11	13.65	4 371738	Body, L., 2101	N.P.
1 371579	Door, L., 2101, lamp 371569	5.50	4 379208	Body, L., 2101, 3, 6, 11	2.00
1 379055	Door, L., 2111, lamp 377656	4.80	4 383429	Body, L., 2101	.85
1 383427	Door, L., 2101, lamp 383415	4.15	5 371741	Cable & socket, L., 2101	1.40
1 383425	Door, L., 2103, 6, 11, lamp 383411	3.45	5 379161	Cable & socket, L., 2101, 3, 6, 11	2.10
2 371614	Glass, L., 2101, lamp 371569	1.00	5 383431	Cable & socket, L., 2103, 6, 11	1.75
2 379052	Glass, L., 2111, lamp 377656	2.10	371841	Liner	.14
2 383421	Glass, L., 2101, lamp 383415	1.00	377641	Gasket, 2101, lamp 371569	.14
2 383423	Glass, L., 2103, 6, 11, lamp 383411	2.10	382303	Gasket, 2111, lamp 377655	.14
			379167	Gasket, 2111	.24



REAR FENDER ASSEMBLY

Item Part No.	Description	Price	Item Part No.	Description	Price
1 385201	Fender & wh. house, L., 1612, 72, 92, 2112, 72, 92	39.20	370433	Hinge, assy. lid	N.P.
1 392437	Fender & wh. house, L., 1615, 25, 75, 95, 2115, 25, 75, 95	45.00	4 372539	Shield & seal, L.	N.P.
2 385305	Panel rep., L., 1612, 22, 72, 92-2112, 22, 72, 92	20.25	372495	Seal	.41
2 385955	Panel rep., L., 1615, 25, 75, 95-2115, 25, 75, 95	20.25	366653	Shroud, L., 1622, 25-2122, 25	N.P.
3 372458	Lid, filler	1.40	395681	Bracket, L., front, 1622, 25-2122, 25	5.00
357434	Bumper filler lid	.07	366511	Bracket, R. up,	N.P.
			366510	Bracket, R. low,	N.P.
				1622, 25-2122, 25	N.P.



REAR BUMPER ASSEMBLY

Item Part No.	Description	Price	Item Part No.	Description	Price
387784	Bumper assy.	44.00	383359	Shield assy.	N.P.
1 387884	Bar, face	19.00	371504	Liner, body	.14
2 378933	Guard	5.35	378938	Bar, in. L.	3.20
3 387772	Guard, fender end	8.85	378936	Bar, out. L.	3.20

FLAT RATE 1946 and 1947 CLIPPER EIGHT PACKARD Series 2101, 2103, 2106, 2111. ALL BODY STYLES

Chilton Job No.	Chilton Labor Price	Chilton Job No.	Chilton Labor Price	Chilton Job No.	Chilton Labor Price	Chilton Job No.	Chilton Labor Price	Chilton Job No.	Chilton Labor Price	Chilton Job No.	Chilton Labor Price	Chilton Job No.	Chilton Labor Price	Chilton Job No.	Chilton Labor Price	Chilton Job No.	Chilton Labor Price				
A		A - continued		A - continued		B - continued		C - continued		G - continued		E		E - continued		F - continued		G			
1	3.50	6	15.00	20	7.20	8	3.00	2	15.00	15	1.50	1	105.00	11		2		1			
1a		7	2.00	20x	12.00	9		3	22.60	3		2	27.00	12		3		2		2	
2	3.00	8	1.50			10		4	2.00	4		3	28.60	13		4		3		3	
3		9	4.00			11	2.50	5	3.00	5		4	28.60	14	140.00	5		4		4	
4	18.00	10				12		6	2.00	6		5	30.00	15		6		5		5	
4a		11	3.00			13		7	2.50	7		6	28.00	16		7		6		6	
4b	2.00	12		1	7.00	14	2.00	8	3.00	8		7	28.00	17	125.00	8		7		7	
4c	4.50	13		1a	8.00	15	1.50	9		9		8	30.00	18		8		8		8	
5	10.00	14		2	15.50			10		10		7x	110.00	19	20.00	9		7x		9	
5a	3.00	15		3	22.60			11	2.50	11		8		18	12.00	10		8		10	
5b	6.00	16	2.00	4	2.00			12		12		9	65.00	19		11		9		11	
5c	4.00	17	1.50	5	3.50			13		13		7x	110.00	20		12		10		12	
5d	7.50	18	10.00	6	1.50	1	7.00	14	2.00	14		19	13.00			13		11		13	
				7	2.50	1a	6.00					20	4.50			1a		12		14	
																		13			
																		14		19	

STEERING GEOMETRY

CASTER: 1 1/2 to 1/2 degree negative.

CAMBER: 1/4 degree negative to 1/4 degree positive.

TOE-IN: Zero to 1/16 inches.

SHOCK PIN INCLINATION: 5 degrees 35 minutes.

ADJUSTMENT

CASTER is controlled by full turns of the upper eccentric pin.

CAMBER is controlled by eccentric upper pin and full range is obtained in one-half turn.

TOE-IN: Should be adjusted at both tie-rods to centralize steering.

