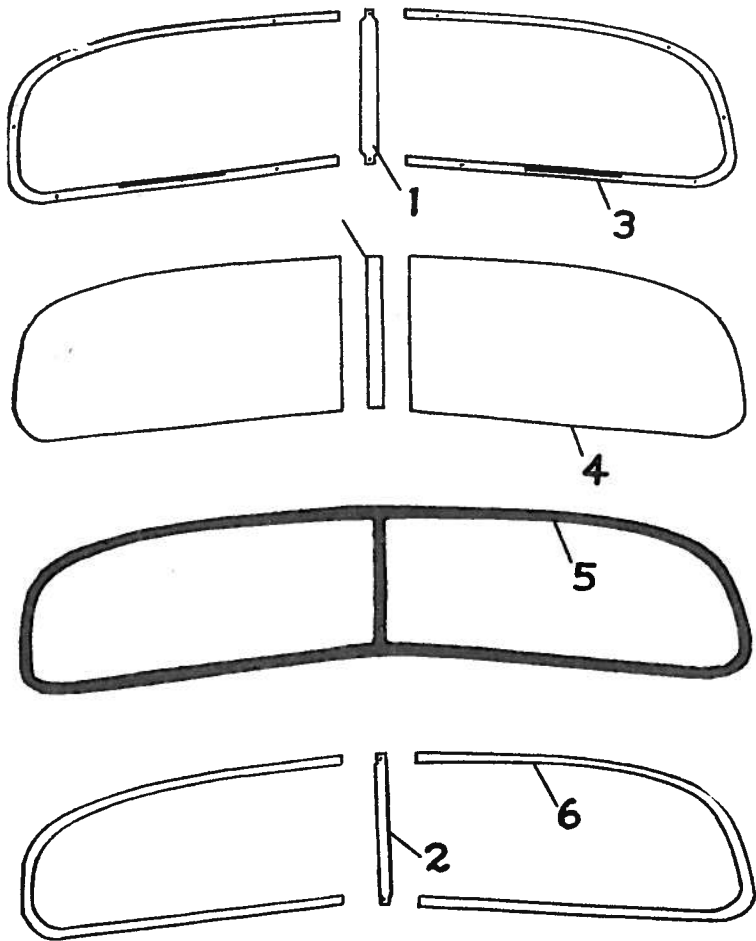


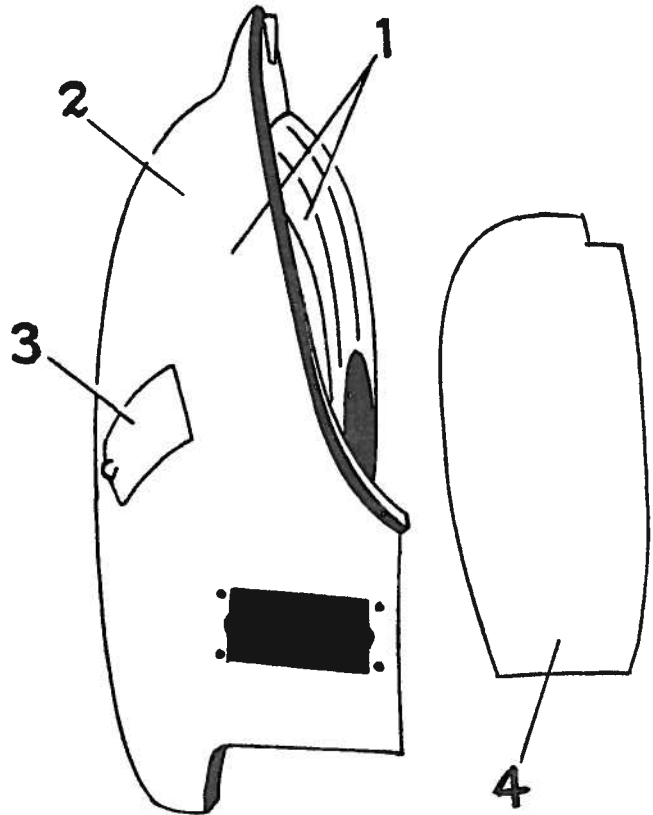
BODY PARTS 1946 and 1947 CLIPPER SIX PACKARD

Series 2100. ALL BODY STYLES



WINDSHIELD ASSEMBLY

Item Part No.	Description	Price
1 376065	Reinforcement div..	1.00
385588	Mold, div., in.	1.15
3 385384	Mold., finishing	8.65
372018	Plug, finish mold...	.14
4 370168	Glass	11.05
5 370169	Wthstp.	6.00
895102	Cordwelt60
6 369435	Rim, L.	4.14
2 376695	Mold, div., out.....	2.30

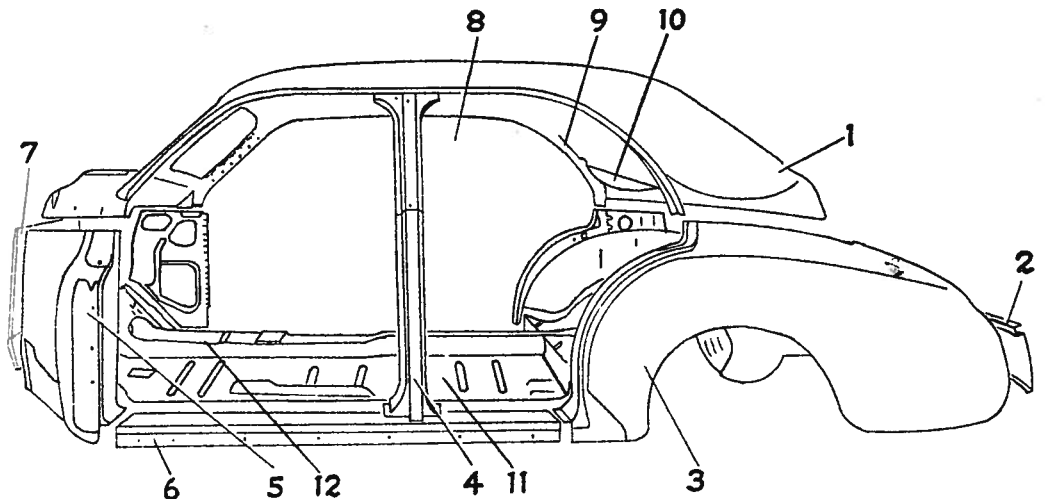


REAR FENDER ASSEMBLY

Item Part No.	Description	Price
1 385201	Rear fender assy., L., 82.....	39.20
1 392437	Fender, assy., 85 ...	45.00
2 385305	Panel, rep. L.	20.25
2 385955	Panel, rep. L.	20.25
3 372458	Lid assy.	1.40
357434	Bumper, filler lid .	.07
370433	Hinge assy.	N.P.
4 372539	Shield & seal	N.P.
372485	Seal41

CAR BODY

Item Part No.	Description	Price
1 392486	Roof assy., body 1685	95.00
1 392484	Roof assy., body 1682	75.00
2 369416	Panel, rear, cent. .	3.45
3 385201	Fender assy., rear, L., 1682	39.20
3 392437	Fender assy., rear, L., 1685	45.00
4 380415	Pillar, center, 1682.	13.80
5 385345	Panel, cowl side, L.	13.00
5 383387	Sill, floor side, 1682	2.75
6 385177	Sill, floor side, 1685	2.75
7 380139	Panel, dash	10.35
8 370391	Gutter, L., 1682 ...	2.10
8 385951	Gutter, L., 1685 ...	1.40
9 372299	Rail, roof assy., 1682	5.75
9 374189	Rail, roof, 1685 ...	3.00
10 370061	Reinforcement, 1682	2.30
10 366783	Reinforcement, 1685	.60
11 392607	Panel, floor rep. ...	9.00
12 370534	Cover, trans.	1.00

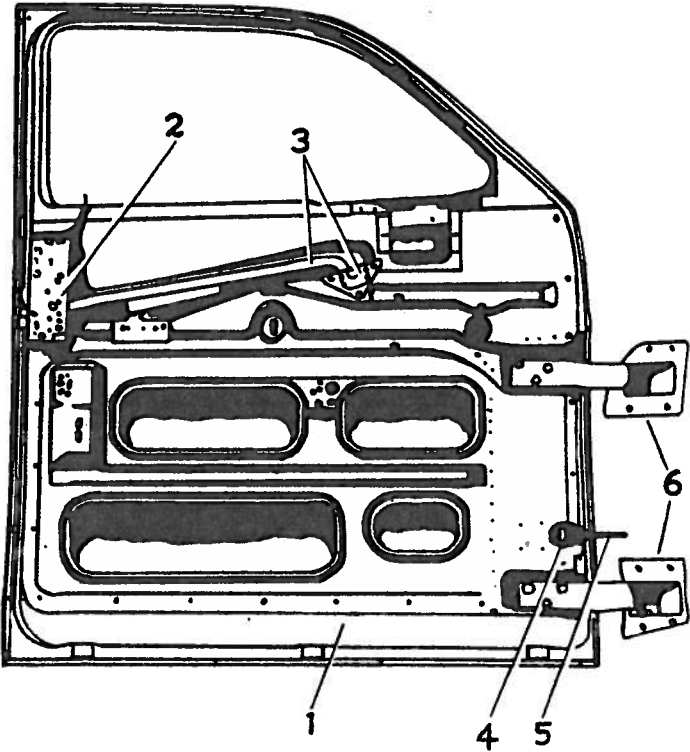
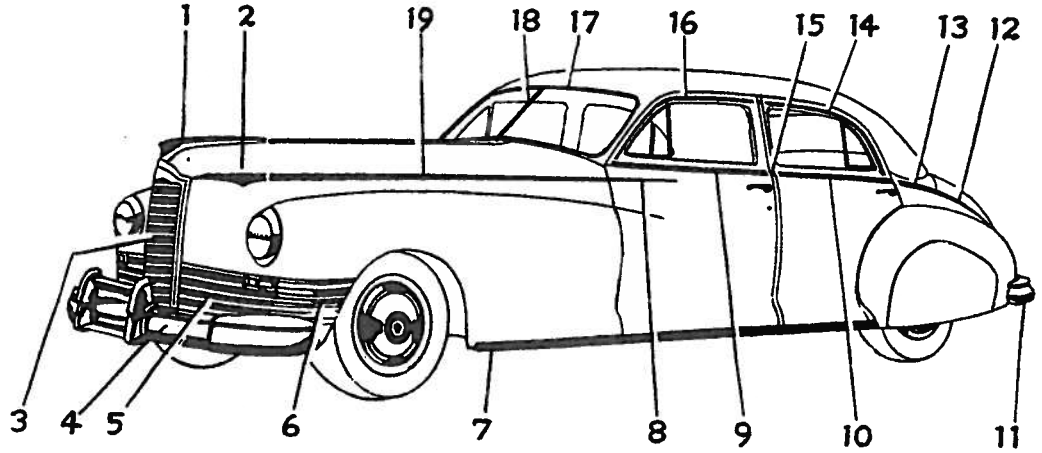


PACKARD CLIPPER SIX 1946 and 1947 BODY PARTS

Series 2100. ALL BODY STYLES

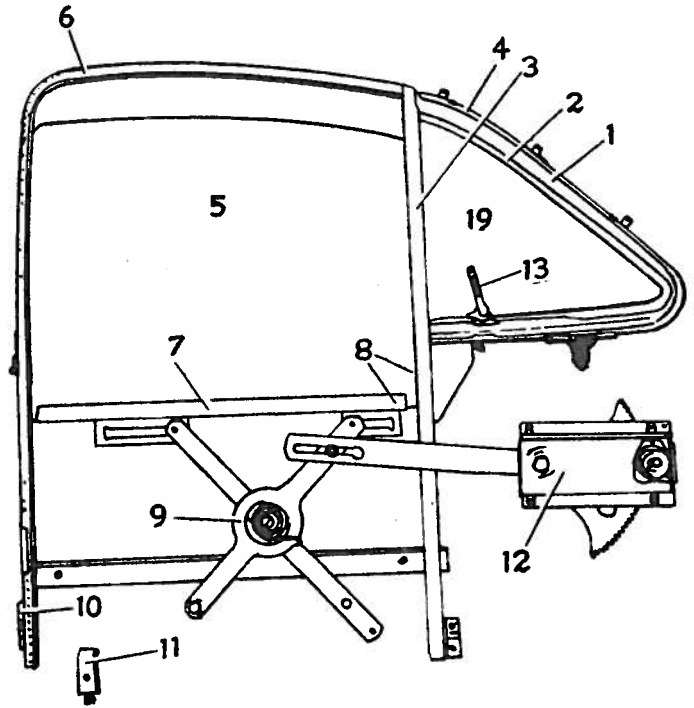
OUTSIDE MOLDINGS, 4 DOOR

Item	Part No.	Description	Price
1	383544	Ornament assy.	4.05
2	379124	Side mold., L.	2.75
3	383540	Grille assy.	27.60
4	387783	Bumper, front	50.00
5	383687	Grille, L.F. fender.	13.80
6	378862	Mold., fender grills, L., up.	1.75
6	378864	Mold., fender grille, L., center.	1.75
6	378866	Mold., fender grille, L., center.	1.75
6	379492	Mold., fender grille, L., low.	1.75
7	372273	Mold., L., floor side sill.	4.15
8	372035	Mold., L., extension.	2.10
9	370187	Mold., L., front door belt.	3.45
10	370189	Mold., L., rear door belt.	3.45
11	387784	Bumper, rear.	40.00
12	372289	Mold., L., trunk lid belt.	2.10
13	370191	Mold., L., rear qtr. belt.	1.40
14	372531	Rim, L., window finish.	2.10
15	372494	Mold., center pillar belt.	1.15
16	372507	Rim, L., chrome window finish.	2.10
17	385384	Mold., wdshid. finishing.	8.65
18	376695	Mold., div. finish, out.	2.30
19	379040	Mold., L., hood side.	5.75



FRONT DOOR ASSEMBLY 2 AND 4 DOOR TYPE

Item	Part No.	Description	Price
1	385477	Door, L., assy., 1682	50.00
1	385947	Door, L., assy., 1685	50.00
2	380131	Lock, L., assy.	3.45
3	372357	Remote cont. assy., L., 1682.85
3	374293	Remote cont. assy., L., 1685.85
4	372091	Bumper, check arm	N.P.
5	372249	Check arm assy.41
6	375357	Hinge, L., up.	3.45
6	375355	Hinge, L., low.	3.45
	385941	Panel, rep. L.	10.80

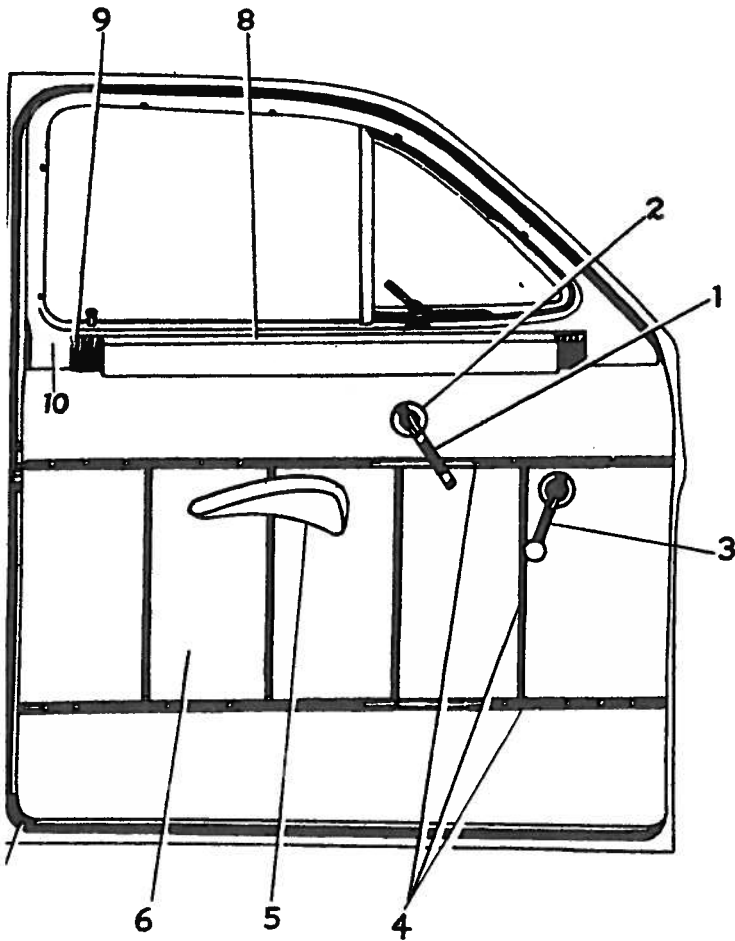


FRONT DOOR WINDOW 2 AND 4 DOOR TYPE

Item	Part No.	Description	Price	Item	Part No.	Description	Price
1	372027	W/thstp., L. vent.60	8	370165	Glass & lifter assy., L., 1682.	4.00
2	372775	Retainer, L. vent. .	4.05	8	385655	Glass & lifter assy., L., 1685.	2.75
3	372053	Retainer, window, L., 1682.	2.90	9	372349	Arm, pivot assy., L.	1.40
3	385689	Retainer, window, L., 1685.	2.70	10	380555	Retainer, L., 1682. .	.60
4	380497	Retainer, assy., L.	4.60	11	370378	Stop.14
5	369651	Glass, 1682.	4.45	12	370271	Regltr. assy., L., 1682.	2.05
5	374654	Glass, 1685.	6.25	12	383269	Regltr. assy., L., 1685.	1.50
6	372649	Runway, L., 1682. .	2.00	13	372799	Handle, vent. lock. .	.70
7	370425	Lifter assy., L., 1682	.80	19	370166	Glass.
7	385685	Lifter assy., L., 1685	2.75				

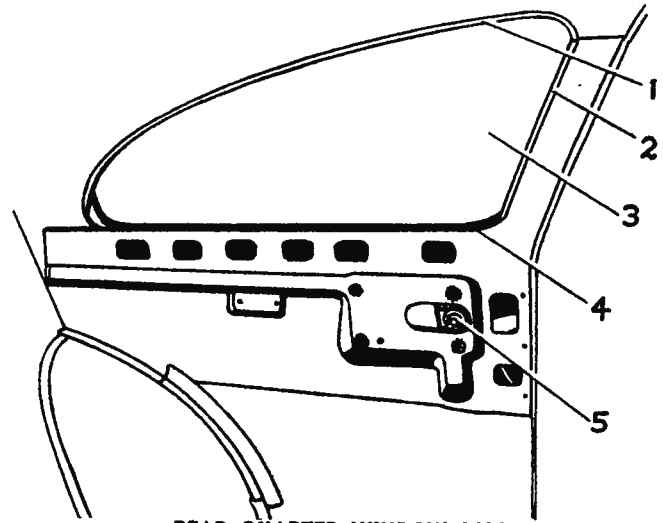
BODY PARTS 1946 and 1947 CLIPPER SIX PACKARD

Series 2100. ALL BODY STYLES



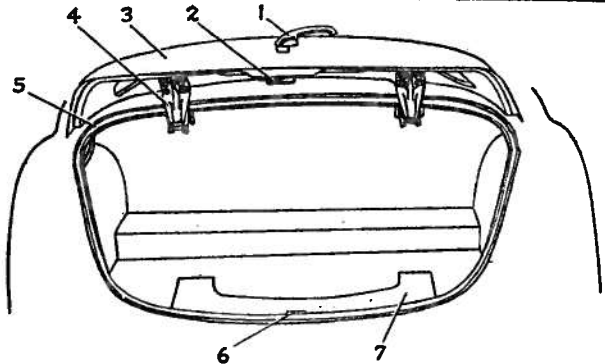
FRONT DOOR INTERIOR

Item Part No.	Description	Price	Item Part No.	Description	Price
1	370184—Handle, L.	.90	6	252887—Panel, L., assy., 1685	14.00
2	375610—Plate, escutcheon	.70	7	385319—Wthstp., low.	2.30
3	375792—Handle	1.15	8	385181—Mold. & seal, L., 1682	8.00
4	385437—Mold., L., 1682	.80	10	383175—Mold. & seal, L., 1685	8.50
4	385437—Mold., L., 1685	N.P.			
5	995119—Arm rest	4.00			
6	251137—Panel, L., assy., 1682	11.50			



REAR QUARTER WINDOW 1685

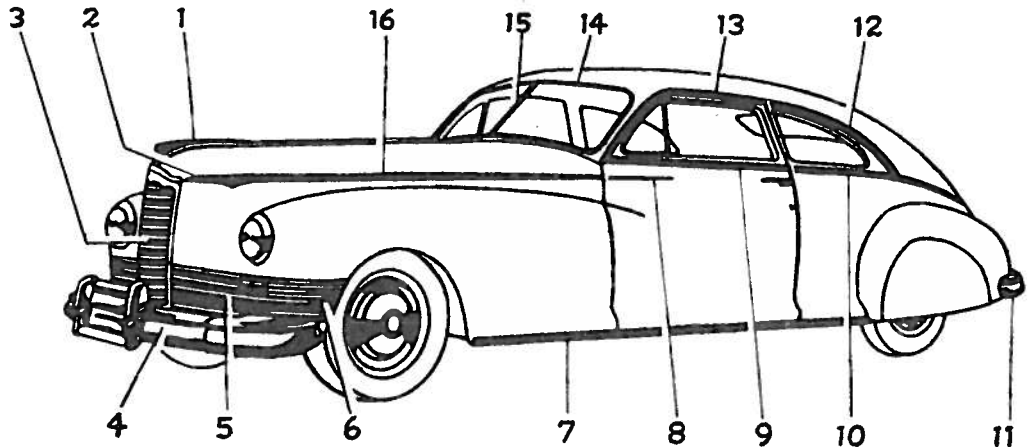
Item Part No.	Description	Price	Item Part No.	Description	Price
1	375023—Runway, up. & rear	2.30	314805	Cushion, .070 x 1 1/4"	.12
2	375027—Runway, front, low.	.60	4	375033—Dust seal, L., out...
	385355—Retainer, runway, L. rear	.90	4	374405—Dust seal, L., in...	1.15
	385353—Retainer, runway, L. front	5	374317—Lifter assy., L.	4.85
3	374883—Glass	6.65	5	374425—Regitr. assy., L.	1.15
	314804—Cushion, .060 x 1 1/4"	.12		375792—Handle	1.70
				375610—Escutcheon	.70
				383167—Mold., finish.	7.50



Item Part No.	Description	Price	Item Part No.	Description	Price
1	370579—Handle assy.	2.30	4	385327—Hinge assy., 1685	3.50
2	372343—Lock assy.	2.75	5	380263—Wthstp., 1682	4.15
3	372159—Lid assy., 1682	30.35	5	385296—Wthstp., 1685	6.25
3	383160—Lid assy., 1685	27.60	6	32575—Striker, lock	.60
4	385328—Hinge assy., 1682	3.50	7	370739—Insulation	3.45

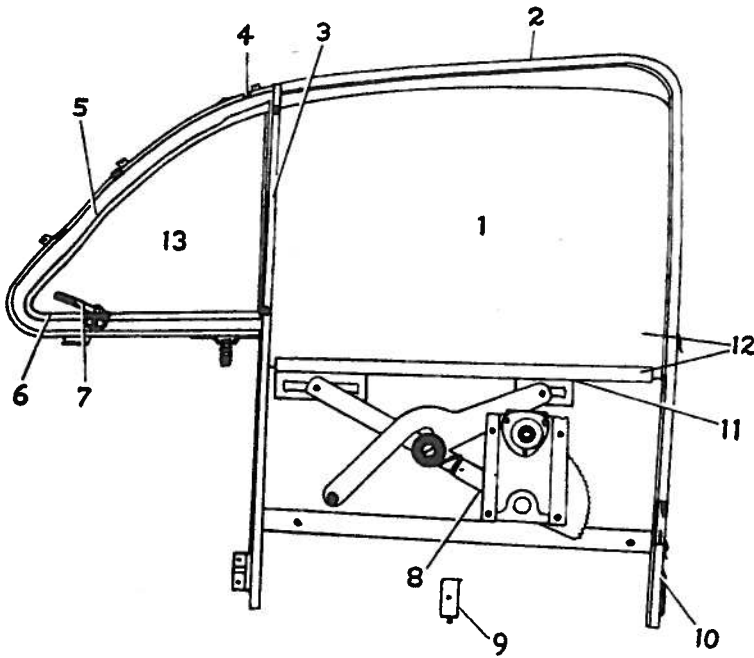
OUTSIDE MOLDINGS, 2 DOOR

Item Part No.	Description	Price
1	383544—Ornament assy.	4.05
2	379124—Side mold., L.	2.75
3	383540—Grille assy.	27.60
4	387783—Bumper, front	50.00
5	383687—Grille, L.F. fender	13.80
6	378862—Mold., fender grills, L., up.	1.75
6	378864—Mold., fender grille, L., center	1.75
6	378866—Mold., fender grille, L., center	1.75
6	379492—Mold., fender grille, L., low.	1.75
7	372273—Mold., L., floor side sill	4.15
8	372035—Mold., L., extension	2.10
9	375297—Mold., L., door belt	3.00
10	375205—Mold., L., rear qtr. belt	4.05
11	387784—Bumper, rear	40.00
12	385957—Rim, L., finishing qtr. panel window	1.50
13	375173—Rim, L., door window finish	1.75
14	385384—Mold., wdshd. finish	2.00
15	378695—Mold., wdshd. div. bar, out.	2.30
16	378914—Mold., L., hood side	5.20



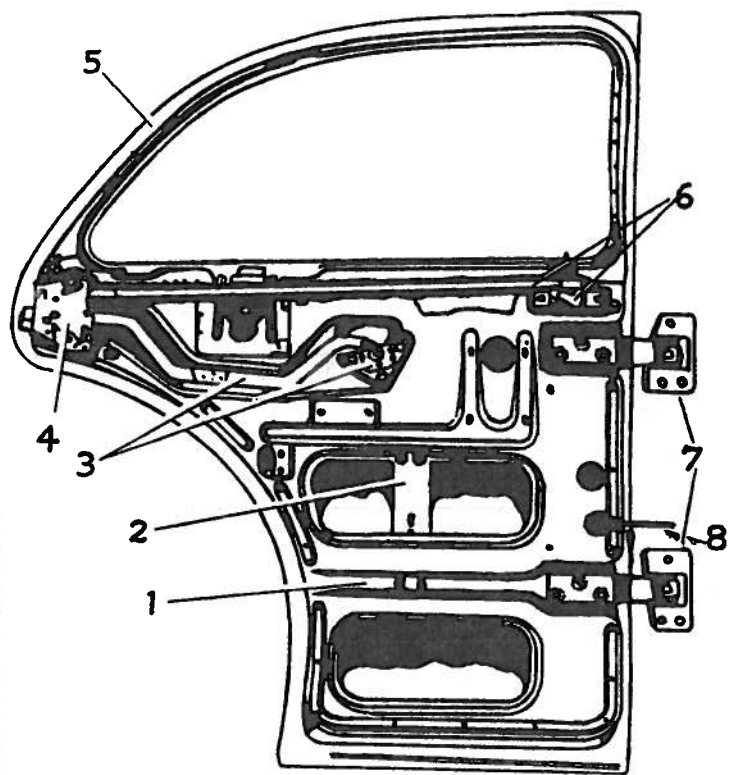
PACKARD CLIPPER SIX 1946 and 1947 BODY PARTS

Series 2100. ALL BODY STYLES



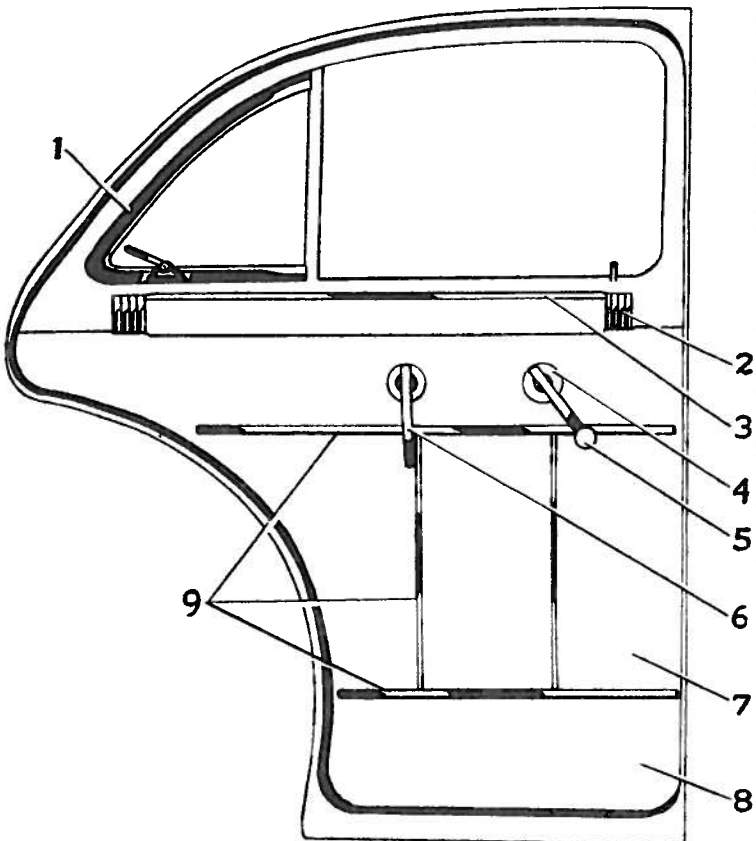
REAR DOOR WINDOW

Item	Part No.	Description	Price	Item	Part No.	Description	Price
1	370041	Glass	4.45	8	370273	Regltr. assy., L.	2.70
2	370335	Runway, L.	1.80	9	370378	Stop, glass	.14
3	372801	Retainer assy., L.	3.80	10	376271	Retainer, runway, L.	4.15
4	380499	Retainer assy., L.	3.80	11	370437	Lifter assy., L.	.85
5	370403	Wthstp., L.	1.50	12	370163	Glass & lifter assy., L.	N.P.
6	372781	Retainer, vent. glass, L.	4.15	13	370396	Glass, vent.	2.00
7	372799	Handle, L., vent.	.70				



REAR DOOR ASSEMBLY

Item	Part No.	Description	Price	Item	Part No.	Description	Price
1	376547	Door assy., L.	47.00	5	376571	Wthstp., L., low.	1.4
	385943	Panel, L., out. rep.	9.90	6	376045	Control assy., L.	1.0
2	370479	Support, window	.60	7	370595	Hinge, L., up.	1.4
3	372361	Remote cont. assy.	.81	7	370597	Hinge, L., low.	1.4
4	370281	Lock assy., L.	2.10	8	372190	Check arm assy.	.4
5	372113	Wthstp., L., up.	2.10				



**REAR WINDOW ASSEMBLY
2 AND 4 DOOR TYPE**

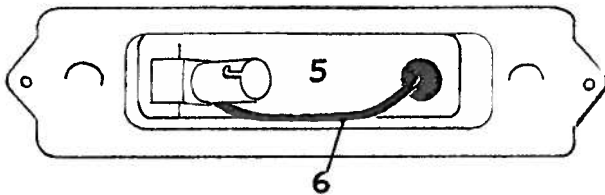
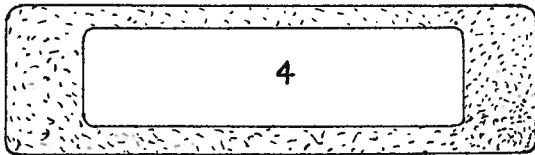
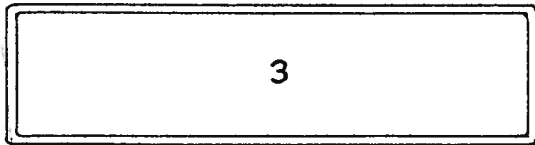
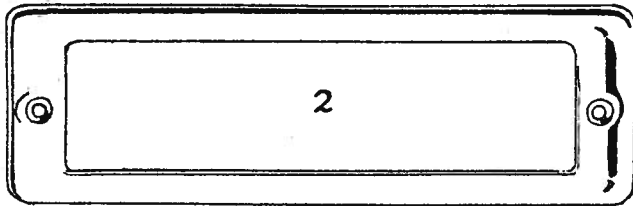
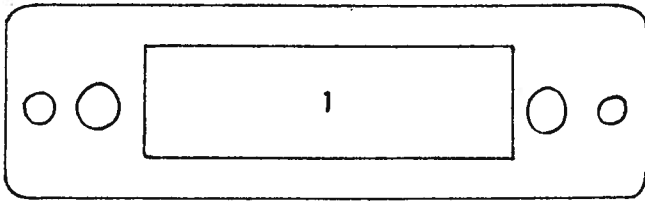
Item	Part No.	Description	Price	Item	Part No.	Description	Price
1	370196	Rim, finishing, 1682	3.45	3	369334	Glass, 1682	13.8
1	374906	Rim, finishing, 1685	4.15	3	374222	Glass, 1685	20.1
	372812	Clip	.90	4	385385	Mold., finishing	6.3
2	369335	Wthstp., 1682	2.90	4	385396	Mold., finishing	4.0
2	374223	Wthstp., 1685	2.90				

REAR DOOR INTERIOR

Item	Part No.	Description	Price	Item	Part No.	Description	Price
1	385187	Mold. & seal, L.	8.00	8	376575	Wthstp., L., side hinge	2.5
4	375610	Escutcheon	.70	8	376571	Wthstp., L., low.	1.4
5	370184	Handle	.90	9	385439	Mold., L., cloth	1.0
6	375792	Handle	1.15	9	392545	Mold., L., leather	1.5
7	361929	Fastener	.03				

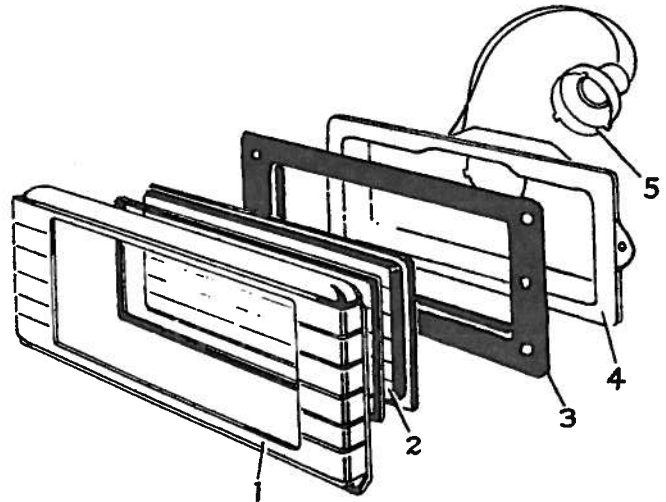
BODY PARTS 1946 and 1947 CLIPPER SIX PACKARD

Series 2100. ALL BODY STYLES



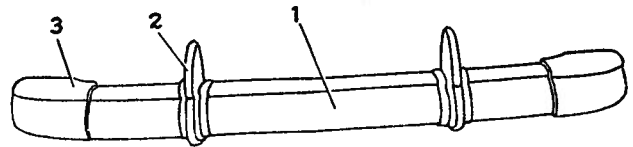
LICENSE LIGHT ASSEMBLY

Item Part No.	Description	Price
403862	Light assy.	4.00
1 389287	Gasket	.30
2 371692	Door	2.10
3 371693	Glass	.80
4 335855	Gasket	.06
5 403861	Body & socket	2.00
6 410241	Cable	.40



REAR LIGHTS

Item Part No.	Description	Price	Item Part No.	Description	Price
1 383415	Tail & stop assy., L.	7.60	2 383421	Glass, light, 383415, L.	1.00
1 371579	Door, L., with light, 371569	5.50	3 383417	Gasket, body	.41
1 383427	Door, L., with light, 383415	4.15	4 371738	Body, used with light 371569, L.	N.P.
2 377641	Gasket light, 371569	.14	4 383429	Body, used with light 383415, L.	.85
2 371614	Glass, light, 371569, L.	1.00	5 371741	Cable & socket assy., L.	1.40
			371841	Liner	.14

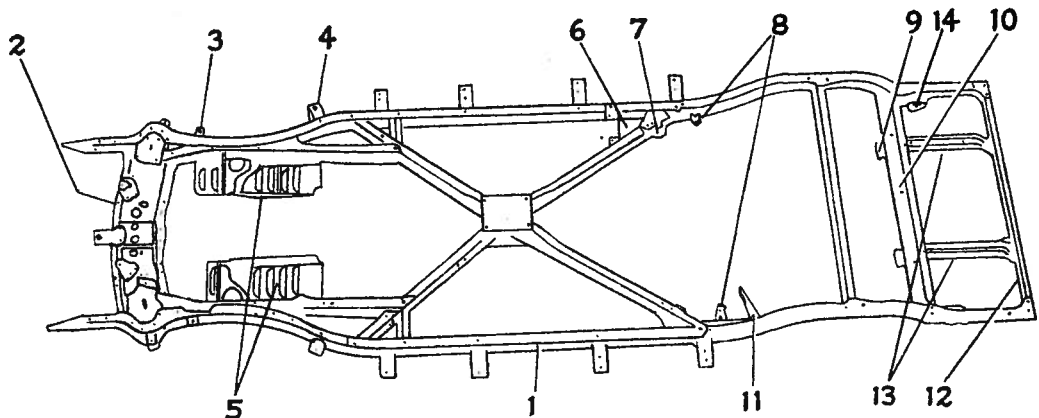


REAR BUMPER ASSEMBLY

Item Part No.	Description	Price
387784	Bumper assy.	44.00
1 387884	Bar, face	19.00
2 378933	Guard	5.35
3 387772	Guard, fender	8.85
383359	Shield assy.	N.P.
371504	Liner, to body	.14
378938	Bar, in. L.	3.20
378936	Bar, out. L.	3.20

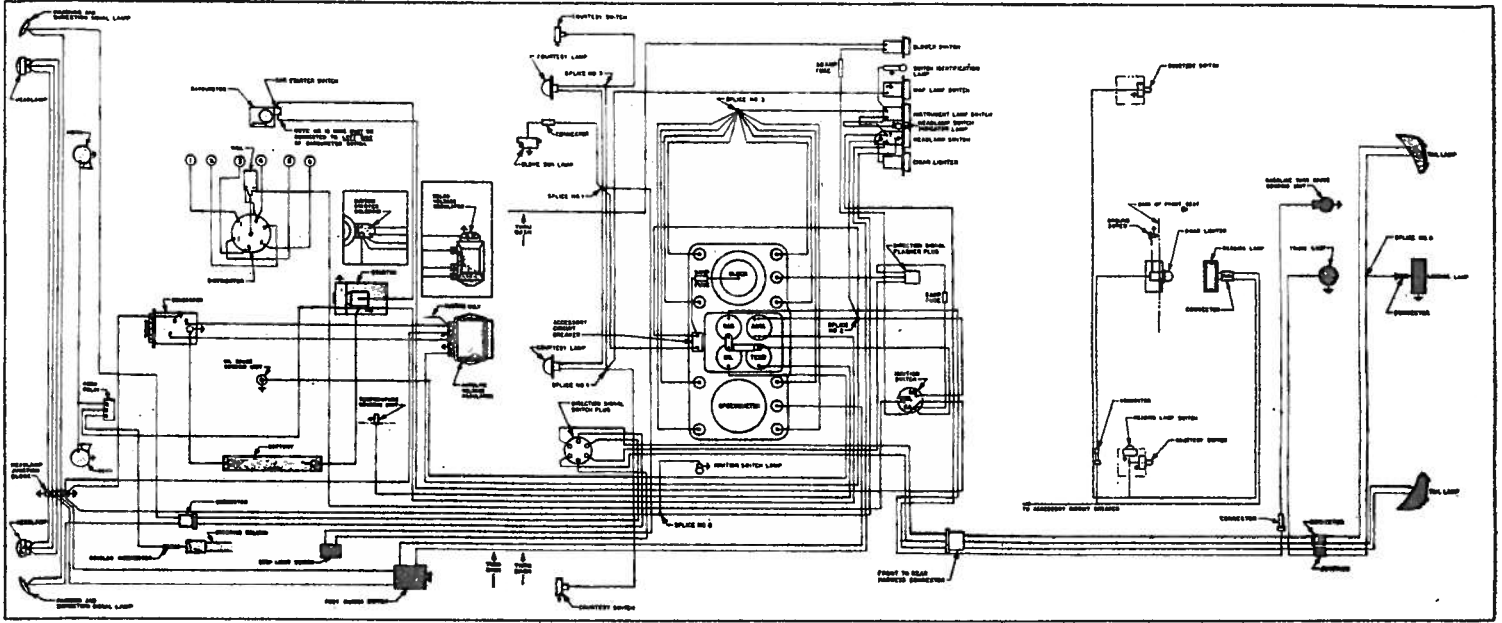
FRAME ASSEMBLY

Item Part No.	Description	Price
1 373924	Frame assy.	82.80
2 373965	Channel, front	20.00
3 341937	Bracket, front	.06
4 371854	Bracket, body bolt, #1	.50
4 371853	Bracket, #2	.70
4 371852	Bracket, #3 & 4	.70
4 373116	Bracket, #5, L.	.85
6 371919	Bracket, muffler	.30
7 367935	Bracket, sprg., L.	1.40
8 373220	Bracket, L.	N.P.
9 348573	Bracket, shock	.45
10 367204	Channel, rear	2.30
11 371179	Bracket, B. hose	.41
12 373018	Channel, tank sup.	3.45
13 371037	Sup., L., tank	1.00
14 367202	Bracket, L., sprg.	2.75

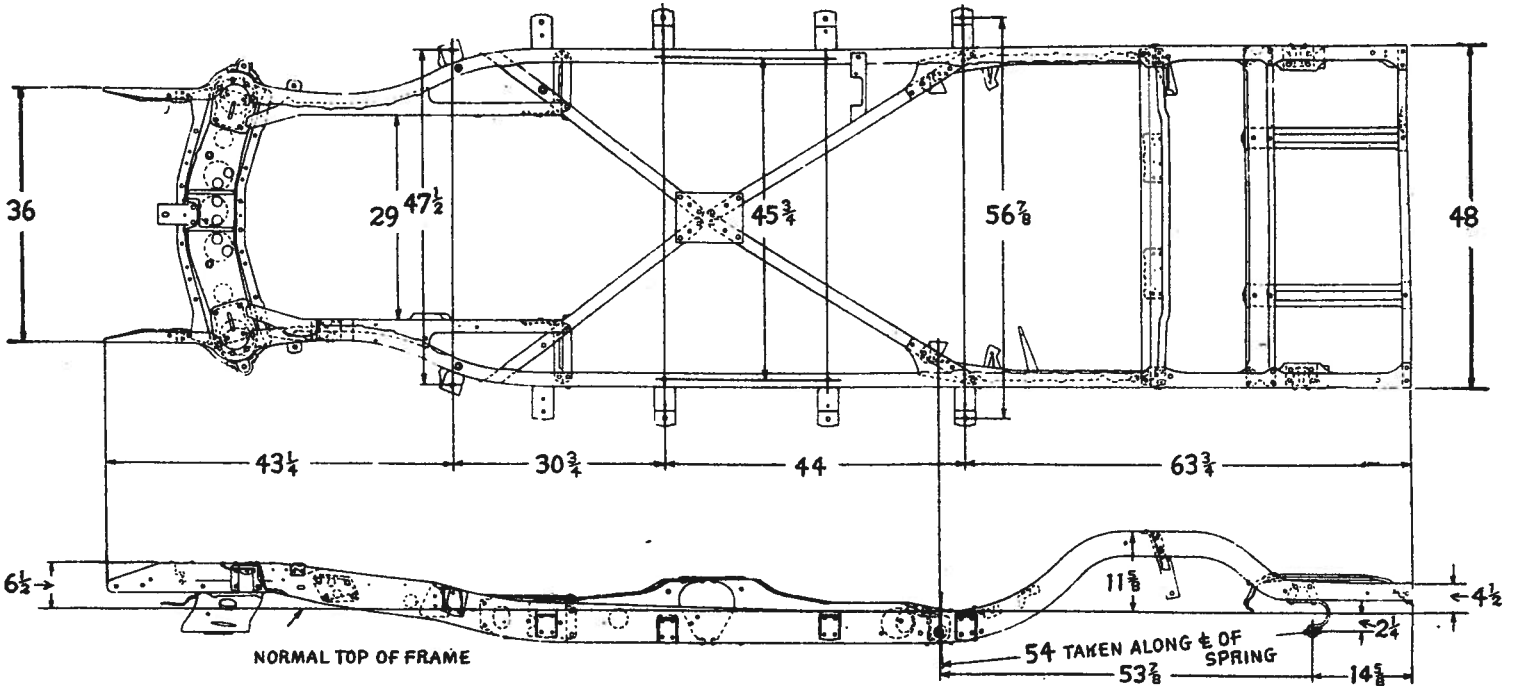


PACKARD CLIPPER SIX 1946 and 1947 WIRING & FRAME

Series 2100. ALL BODY STYLES



Wiring Diagram—Series 2100



Frame Dimensions—Series 2100

FLAT RATE 1946 and 1947 CLIPPER SIX PACKARD Series 2100. ALL BODY STYLES

Job No.	Chilton Labor Price	Chilton Job No.	Chilton Labor Price	Chilton Job No.	Chilton Labor Price	Chilton Job No.	Chilton Labor Price	Chilton Job No.	Chilton Labor Price	Chilton Job No.	Chilton Labor Price	Chilton Job No.	Chilton Labor Price	Chilton Job No.	Chilton Labor Price	Chilton Job No.	Chilton Labor Price		
A		A—continued		A—continued		B—continued		C—continued		C—continued		E		E—continued		F—continued		G	
1	3.50	6	15.00	20	7.20	8	3.00	2	16.00	15	1.50	1	105.00	11		2		1	
2		7	2.00	20x	12.00	9		3	22.60			2	27.00	12		3		2	
3	3.00	8	1.50			10		4	2.00	D		3	28.60	13		4		3	
4		9	4.00			11	2.50	5	3.00	1	3.50	4	26.60	14	140.00	5		4	
5	18.00	10		B		12		6	2.00	2	2.50	5	30.00	15		6		5	
6		11	3.00	1	7.00	13		7	2.50	1a	3.00	6	28.00	16	126.00	7		6	
7	2.00	12		1a	8.00	14	2.00	8	3.00	3	2.50	7		17		8		7	7x
8	4.50	13		2	15.50	15	1.50	9		4	2.00	8	110.00	18	20.00	9		8	
9	10.00	14		3	22.60			10		5	12.00	9		19	12.00	10		9	
10	3.00	15		4	2.00			11	2.50	6		10	65.00			11		10	
11	6.00	16	2.00	5	3.50	C		12		7	110.00	11	70.00	F		12		11	
12	4.00	17	1.50	6	1.50	1	7.00	13		8	13.00	12		1		13		12	
13	7.50	18	10.00	7	2.50	1a	8.00	14	2.00	9	4.50	13		1a		14		13	
14												14				14		14	

STEERING GEOMETRY

ASTER: 1 1/2 to 1/2 degree negative.
AMBER: 1/4 degree negative to 1/4 degree positive.
OE-IN: Zero to 1/16 inches.
KNUCKLE PIN INCLINATION: 5 degrees 35 minutes.

ADJUSTMENT

ASTER is controlled by full turns of the upper eccentric pin.
AMBER is controlled by eccentric upper pin and full range is obtained in one-half turn.
OE-IN: Should be adjusted at both tie-rods to centralize steering.

