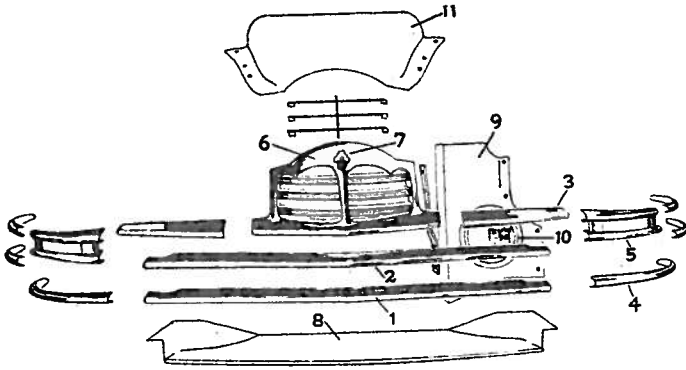
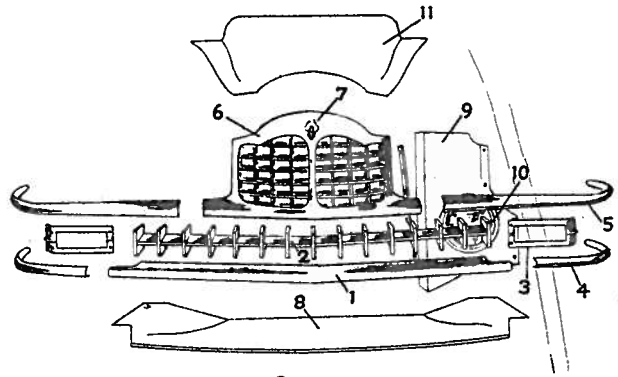


PACKARD SUPER and CUSTOM CONVERTIBLE 1948 BODY PARTS

Series 2232, 2233. ALL BODY STYLES



Super



Custom

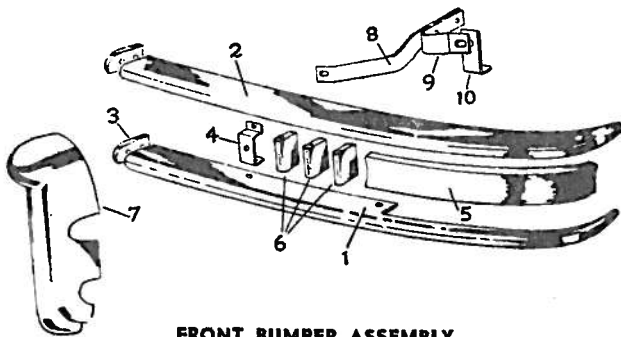
GRILLE ASSEMBLY

| Item | Part No. | Description | Price |
|------|----------|---------------------------|-------|
| | 396378 | Mold., rad., low., 2259 | 17.50 |
| 1 | 391216 | Mold., low. & cent., 2279 | 16.00 |
| | 396377 | Mold., up. L., 2259 | 3.50 |
| 2 | 396385 | Reinfmt., L., 2259 | .80 |
| 2 | 391377 | Reinfmt., L., 2279 | .50 |
| 3 | 391211 | Mold., cent. L., 2279 | 1.40 |
| 4 | 391213 | Mold., low. L. | 3.00 |

| Item | Part No. | Description | Price |
|------|----------|----------------------------|-------|
| 5 | 391209 | Mold., up. L. | 1.40 |
| 6 | 396361 | Grille assy., 2259 | 33.00 |
| 6 | 391056 | Grille assy., 2279 | 30.35 |
| 7 | 391374 | Emblem, rad. | 2.00 |
| | 396383 | Fin. assy., L., 2259 | 16.00 |
| | 394527 | Shield assy., rad., 2279 | 1.75 |
| 8 | 399119 | Splasher, rad., low., 2259 | 6.00 |

| Item | Part No. | Description | Price |
|------|----------|---------------------------|-------|
| 8 | 399833 | Splasher, rad., 2279 | 4.40 |
| | 357434 | Bumper, splasher, low | .07 |
| 9 | 399357 | Splasher, L., rad. side | N.P. |
| 10 | 396446 | Screen, air duct | .90 |
| 11 | 394630 | Splasher, rad., top, 2279 | 4.50 |

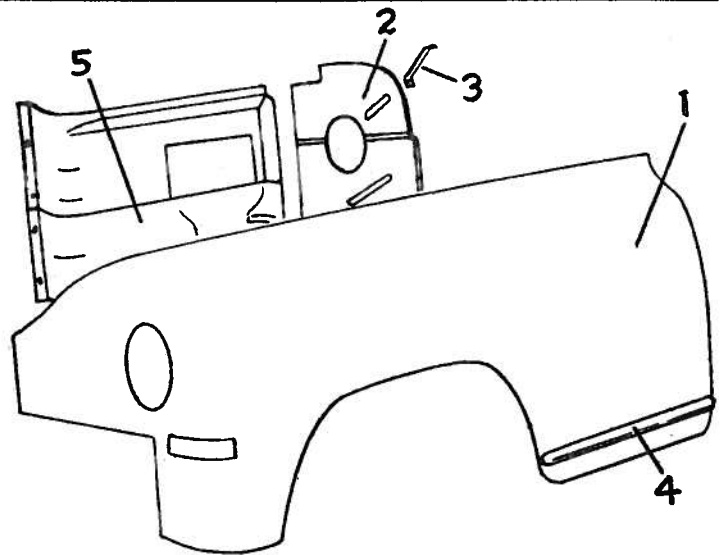
| Item | Part No. | Description | Price |
|------|----------|---------------------------|-------|
| 11 | 394614 | Splasher, rad., top, 2279 | 4.00 |
| | 396633 | Grille L, rear end, 2259 | 20.00 |
| | 396719 | Retainer, center, 2259 | .30 |
| | 396721 | Retainer L, out., 2259 | .30 |



FRONT BUMPER ASSEMBLY

| Item | Part No. | Description | Price |
|------|----------|---------------------------|-------|
| | 389475 | Bumper assy., 2232 | 82.50 |
| | 395340 | Bumper assy., 2233 | 90.00 |
| 1 | 389479 | Bar, face, L., low., 2232 | 19.80 |
| 1 | 395557 | Bar, face, L., low., 2233 | 17.00 |
| 2 | 389477 | Bar, face, L., up., 2232 | 17.60 |
| 2 | 395538 | Bar, face, L., up., 2233 | 16.00 |
| 3 | 395719 | Cover, bar joint | 1.63 |
| 4 | 389484 | Bracket, up to low. bar | 1.00 |

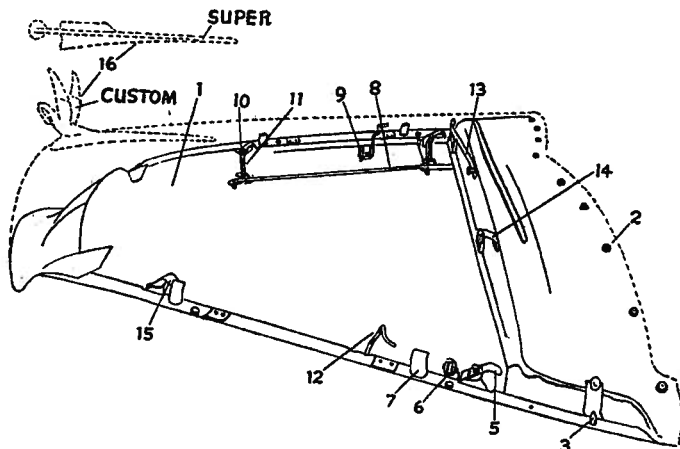
| Item | Part No. | Description | Price |
|------|----------|------------------------|-------|
| | 389499 | Shield, bar, L. | N.P. |
| 5 | 395342 | Panel, bar, L., 2232 | 7.70 |
| 5 | 389481 | Panel, bar, L., 2233 | 4.00 |
| 6 | 389495 | Spacer | .30 |
| 7 | 389483 | Guard, L., front, 2232 | 11.00 |
| 7 | 395532 | Guard, L., front, 2233 | 15.40 |
| | 395373 | Spacer assy., 2233 | 1.20 |
| 8 | 389487 | Bar, sup, in. L. | 2.20 |
| 9 | 389489 | Bar, sup., out. L. | 2.20 |
| 10 | 389492 | Bracket, sup., out. | 1.10 |



FRONT FENDER ASSEMBLY

| Item | Part No. | Description | Price |
|------|----------|--------------------------|-------|
| 1 | 391911 | Fender, L., 2259 | 50.00 |
| 1 | 391909 | Fender, L., 2279 | 55.00 |
| | 363139 | Seal, fender | .02 |
| | 372448 | Bracket, L., fender | .41 |
| 2 | 394739 | Shield, L., fender, low. | 1.60 |
| 2 | 394737 | Shield, L., fender, up. | .80 |
| 3 | 391197 | Brace, L., shield | .30 |

| Item | Part No. | Description | Price |
|------|----------|-------------------------------|-------|
| 4 | 396623 | Mold., low. side, 2259 | 1.20 |
| 4 | 396622 | Mold., low. side, 2279 | 1.00 |
| 4 | 396624 | Mold., up., 2259 | 1.20 |
| 5 | 407856 | Splasher assy., L., up., 2259 | 3.60 |
| 5 | 407854 | Splasher assy., L., up., 2279 | 4.50 |



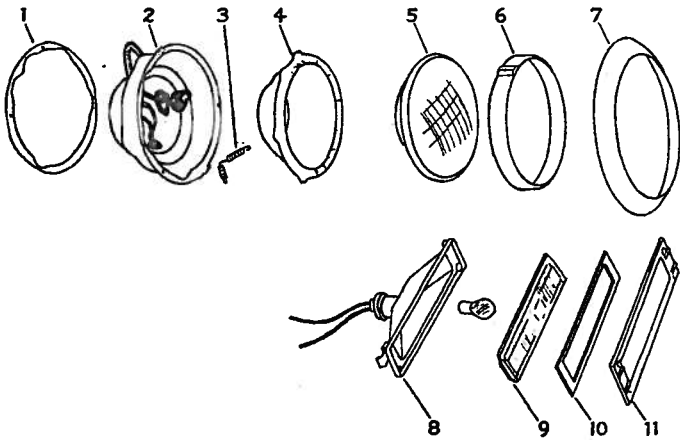
HOOD ASSEMBLY

| Item | Part No. | Description | Price |
|------|----------|-------------------------|-------|
| 1 | 391906 | Hood assy., 2232 | 38.00 |
| 1 | 391907 | Hood assy., 2233 | N.P. |
| 2 | 372174 | Bumper, cowl | .07 |
| 2 | 399324 | Bumper, pivot | .33 |
| 2 | 372146 | Bumper, front | .12 |
| 2 | 407010 | Bumper, rear, cor. | .03 |
| 2 | 391463 | Bumper, fender | .05 |
| 3 | 378664 | Dowel, rear | .20 |
| | 391757 | Pin, guide | .30 |
| 5 | 399529 | Clamp, L., rear, 2232 | .90 |
| 5 | 399531 | Clamp, L., rear, 2233 | 1.30 |
| 6 | 399527 | Roller, clamp | .30 |
| 7 | 372305 | Bracket, L., clamp | .46 |
| 8 | 372338 | Rod, clamp, 2232 | .46 |
| 8 | 391719 | Rod, clamp, 2233 | .70 |
| 9 | 373764 | Spring, clamp, anti-rat | .05 |

| Item | Part No. | Description | Price |
|------|----------|-------------------|-------|
| 10 | 372331 | Pin-lock clamp | .16 |
| 11 | 372450 | Spring-lock clamp | .12 |
| 12 | 399453 | Handle L. | N.P. |
| | 399458 | Knob, handle | .50 |
| | 372536 | Grommet, handle | .28 |
| 13 | 396074 | Prop. | .40 |
| 14 | 372483 | Rest, prop. | .35 |
| | 383366 | Spring-prop. ten. | .12 |
| 15 | 370413 | Catch L, safety | .70 |
| | 372341 | Anti-rat, catch | .14 |
| | 378514 | Spring, safety | .10 |
| 16 | 394756 | Ornament, 2232 | N.P. |
| 16 | 394757 | Ornament, 2233 | N.P. |
| | 391427 | Wthsta, cowl | N.P. |
| | 391519 | Retainer, wthstp. | N.P. |

BODY PARTS 1948 SUPER and CUSTOM CONVERTIBLE PACKARD

Series 2232, 2233. ALL BODY STYLES

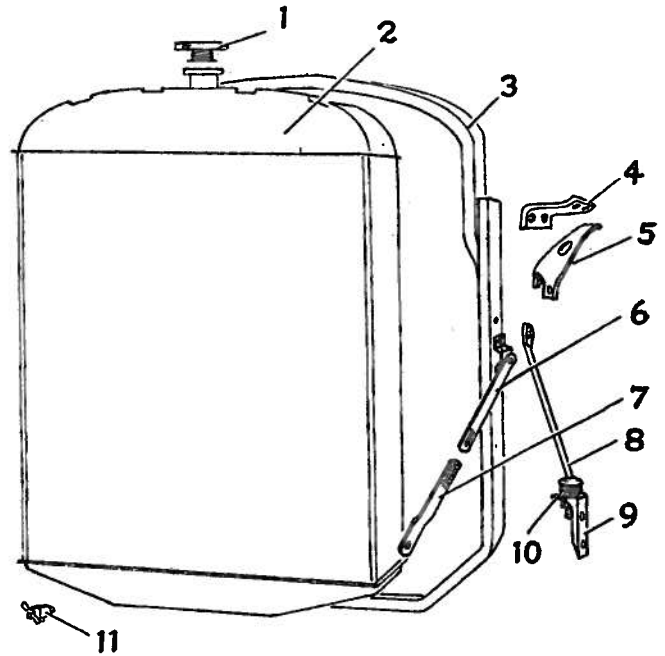


HEADLAMP ASSEMBLY

| Item Part No. | Description | Price |
|---------------|-------------------------|-------|
| 393696 | Headlight L..... | 15.40 |
| 1 371402 | Gasket, fender..... | .28 |
| 2 393702 | Body, assy..... | 3.00 |
| 5 339528 | Bulb..... | 1.30 |
| 4 371404 | Mount, assy..... | 2.05 |
| 6 354145 | Retainer, bulb..... | 1.85 |
| 410044 | Cable assy., L..... | 2.00 |
| 351167 | Junction, block..... | .30 |
| 7 394717 | Door, lamp..... | 2.75 |
| 383490 | Switch assy., dim..... | 1.15 |
| 311729 | Cap. dim. sw..... | .14 |
| 393563 | Switch assy., hdlp..... | 2.75 |
| 410047 | Circuit breaker..... | 1.00 |
| 399564 | Bracket, indicator..... | .70 |
| 403820 | Socket & cable..... | .30 |

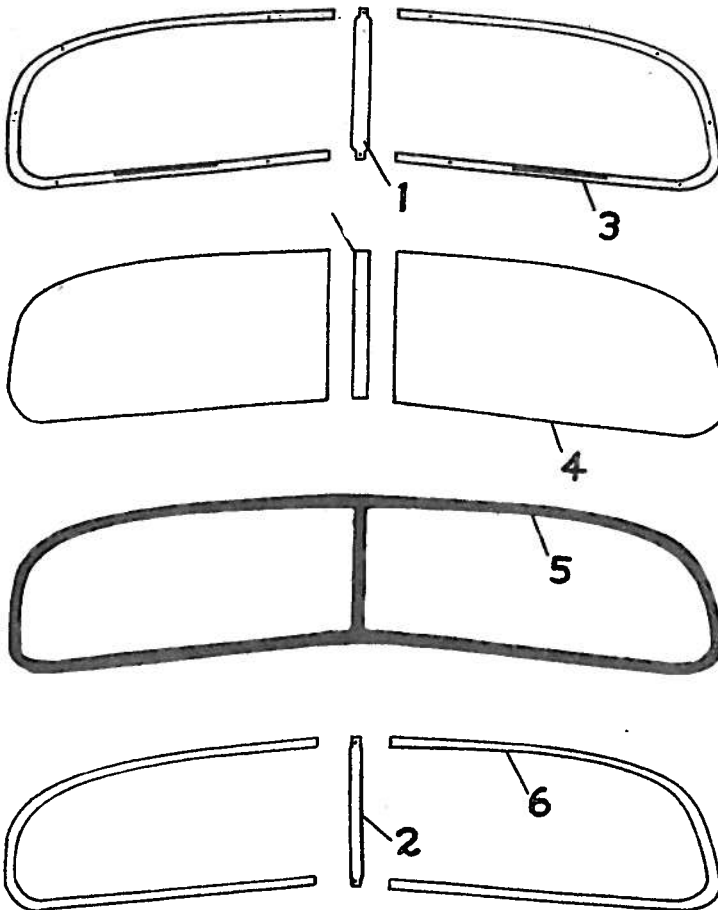
PARKING LAMP ASSEMBLY

| Item Part No. | Description | Price |
|---------------|------------------------------|-------|
| 393619 | Parking light, L., 2232..... | 9.50 |
| 393369 | Parking light, L., 2233..... | 10.00 |
| 8 393712 | Body & Cable, L., 2232..... | 3.80 |
| 8 399331 | Body & Cable, L., 2233..... | 4.00 |
| 11 393627 | Door, 2232..... | 1.65 |
| 11 399329 | Door, L., 2233..... | 2.80 |
| 393642 | Gasket, 2232..... | .30 |
| 399326 | Gasket, 2233..... | .18 |
| 9 393625 | Glass, 2232..... | 1.00 |
| 9 399332 | Glass, 2233..... | .70 |
| 10 393626 | Gasket, glass, 2232..... | .30 |
| 10 399747 | Gasket, glass, 2233..... | .30 |



RADIATOR ASSEMBLY

| Item Part No. | Description | Price | Item Part No. | Description | Price |
|---------------|-------------------------|-------|---------------|------------------------|-------|
| 1 377265 | Cap. rad..... | 1.40 | 395822 | Bracket L, 2233..... | .60 |
| 2 389589 | Core assy., 2232..... | 92.00 | 8 389867 | Tie rod, cradle..... | 1.00 |
| 2 389859 | Core assy., 2233..... | 92.00 | 9 362825 | Bracket, tie rod..... | .46 |
| 3 389850 | Cradle assy., 2232..... | 8.25 | 10 202504 | Grommet, tie rod..... | .15 |
| 3 389852 | Cradle assy., 2233..... | 10.00 | 10 362357 | Guide, tie rod..... | .02 |
| 4 395956 | Bracket L..... | .90 | 10 202221 | Retainer..... | .05 |
| 5 391887 | Brace L..... | .50 | 11 378248 | Drain cock..... | .46 |
| 6 403600 | Brace, low., 2232..... | .50 | 389599 | Elbow, out., 2232..... | 1.55 |
| 7 403601 | Brace, up., 2232..... | .50 | 389598 | Elbow, out., 2233..... | 1.15 |
| 395828 | Brace L, 2233..... | .70 | | | |



INSTRUMENT PANEL

| Item Part No. | Description | Price | Item Part No. | Description | Price |
|---------------|-----------------------------|-------|---------------|-------------------------------|-------|
| 1 399346 | Instrument Pan. 2232..... | N.P. | 399394 | Mould, G. box..... | .90 |
| 1 405463 | Instrument Pan. 2233..... | 8.50 | 4 399293 | Knob, cigar light..... | 1.30 |
| 396539 | Ash rec..... | 1.00 | 4 396674 | Knob, elec. clutch..... | 1.00 |
| 396479 | Cover, ash rec..... | 1.40 | 4 396669 | Knob, hdlp. sw..... | .90 |
| 396535 | Shield, ash rec..... | .04 | 4 396670 | Knob, inst. sw..... | 1.00 |
| 396467 | Trim, cent. pan..... | 11.00 | 4 396675 | Knob, map light..... | 1.00 |
| 2 399779 | Screen, radio..... | N.P. | 4 396672 | Knob, defroster..... | 1.00 |
| 3 405017 | Box assy., glove..... | 2.00 | 4 396671 | Knob, heater..... | 1.00 |
| 3 405054 | Panel, door glove box..... | 3.50 | 4 396673 | Knob, fog-light..... | 1.00 |
| 396590 | Hinge assy..... | 2.50 | 396631 | Panel assy inst. cluster..... | 1.65 |
| 376017 | Stop, glove box..... | .02 | 396470 | Trim, cluster pan..... | N.P. |
| 399699 | Lock, assy. 2233..... | 1.20 | 396487 | Mould, low..... | .50 |
| 409512 | Lock plate assy., 2233..... | N.P. | 396486 | Mould, upper..... | .80 |
| 396572 | Latch assy..... | 1.50 | 396485 | Trim, L, end..... | .50 |
| 396615 | Cover assy., G. box..... | 2.75 | 396453 | Cover, radio open..... | 2.50 |
| 396995 | Panel Assy., G. box..... | .40 | 5 410012 | Ammeter..... | 1.85 |
| 396568 | Lever, G. box..... | .60 | 6 393716 | Clock..... | 19.55 |
| 409509 | Striker, G. box..... | .50 | 7 410007 | Gas, gauge..... | 1.85 |
| 399563 | Bracket, striker..... | .20 | 8 410008 | Oil, gauge..... | 1.95 |
| | | | 9 410009 | Temp., gauge..... | 1.95 |
| | | | 10 410013 | Speed, M.P.H..... | 12.50 |
| | | | 10 410017 | Speed, K.P.H..... | 13.50 |

WINDSHIELD ASSEMBLY

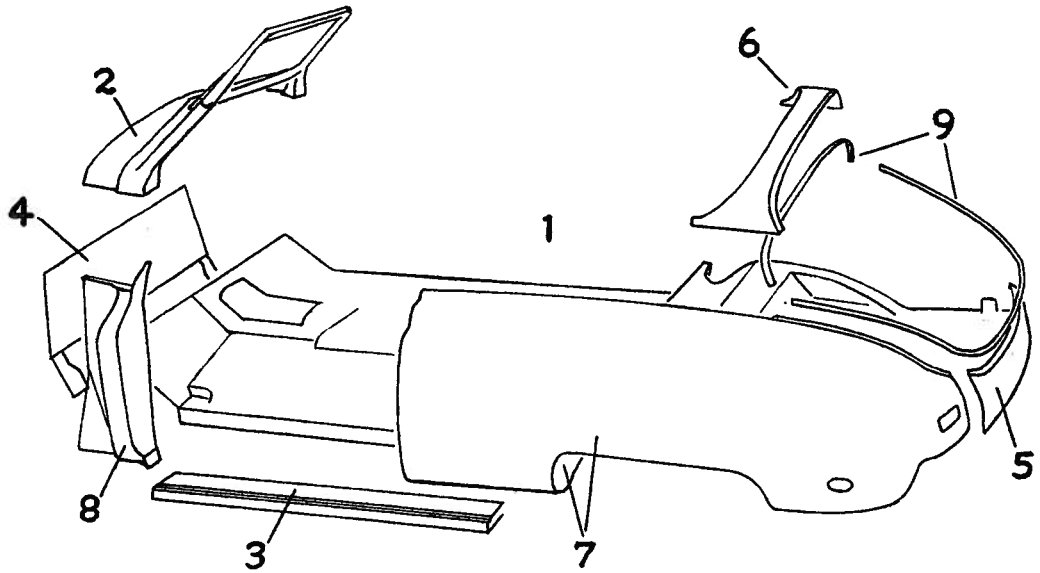
| Item Part No. | Description | Price | Item Part No. | Description | Price |
|---------------|-----------------------------|-------|---------------|--------------------------|-------|
| 1 380314 | Mold, div., in..... | 3.00 | 3 399805 | Mold, in., brown..... | 6.00 |
| 1 399804 | Mold, div., in., gray..... | .90 | 872018 | Plug, mold, finish..... | .14 |
| 1 399803 | Mold, div., in., brown..... | 1.00 | 4 370168 | Glass, L..... | 11.05 |
| 2 376695 | Mold, div., out..... | 2.30 | 5 370169 | W/thatp., glass..... | 6.00 |
| 3 374952 | Mold, in..... | 17.25 | 6 369435 | Rim, finish, out. L..... | 4.14 |

PACKARD SUPER and CUSTOM CONVERTIBLE 1948 BODY PARTS

Series 2232, 2233. ALL BODY STYLES

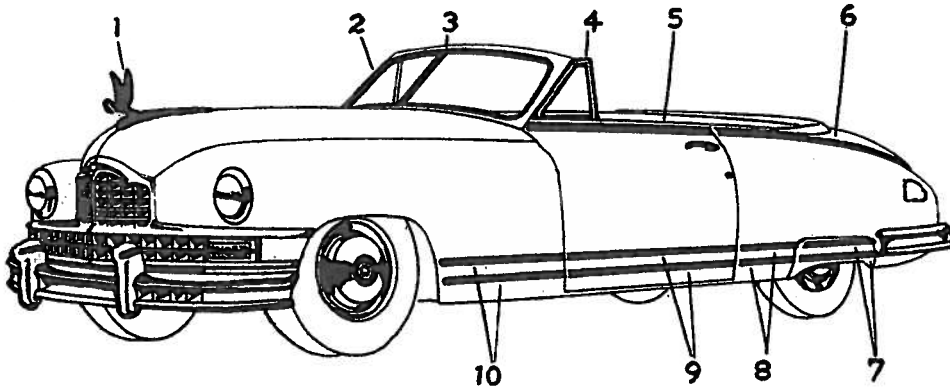
CAR BODY

| Item | Part No. | Description | Price |
|------|----------|--------------------------|-------|
| 8 | 391447 | Panel L., cowl side | 23.00 |
| 9 | 385373 | Wthsts., lid | 7.50 |
| 1 | 385135 | Panel rep., outer | 24.00 |
| 2 | 385190 | Panel, cowl | 20.00 |
| 3 | 385175 | Panel, sill, L. | 3.00 |
| 4 | 391147 | Panel, dash | N.P. |
| 5 | 396416 | Panel, R. cent., low | |
| 6 | 391491 | Panel, R., cent., upper | 6.60 |
| | 385108 | Gutter, drain | 1.00 |
| | 403063 | Gas tank assy. | 13.80 |
| 7 | 401541 | Fender & wh. house, L. | 60.00 |
| | 401537 | Fender & wh. housing, L. | 60.00 |



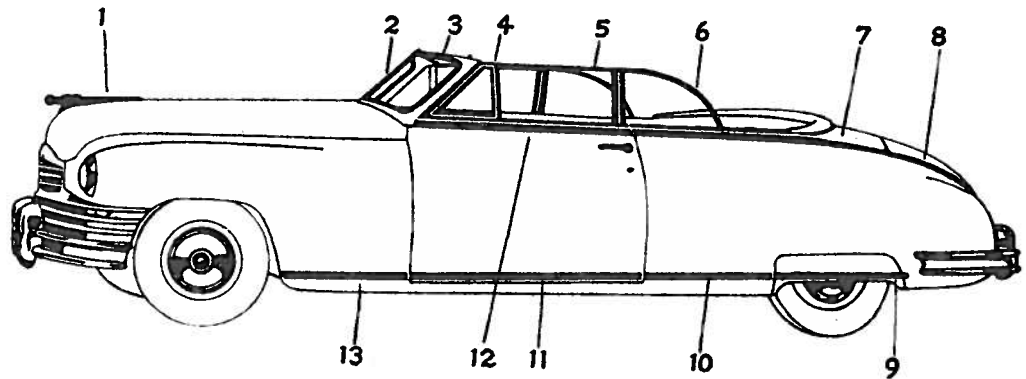
OUTSIDE MOLDING—CUSTOM

| Item | Part No. | Description | Price |
|------|----------|-------------------------------------|-------|
| 1 | 383544 | Ornament assy. | 4.05 |
| 2 | 385233 | Rim, L., outside finish | 2.50 |
| 3 | 396696 | Mold. div. finish | 2.00 |
| 4 | 385129 | Frame assy., L. | 14.00 |
| 5 | 385357 | Mold., L., narrow type, door belt | 2.50 |
| 5 | 409681 | Mold., L., wide type, door belt | 2.00 |
| 6 | 385367 | Mold., L., qtr. panel belt, narrow | 2.70 |
| 6 | 409683 | Mold., L., qtr. panel belt, wide | 2.20 |
| 7 | 396425 | Mold., L., rear fender shroud, up. | 1.20 |
| 7 | 396427 | Mold., L., rear fender shroud, low. | 1.20 |
| 8 | 396421 | Mold., L., rear fender, up. | 1.20 |
| 8 | 396413 | Mold., L., rear fender, low. | 1.20 |
| 9 | 396407 | Mold., L., door bottom, out. | 2.00 |
| 10 | 396624 | Mold., L., front fender, up. | 1.20 |
| 10 | 396623 | Mold., L., front fender, low. | 1.20 |



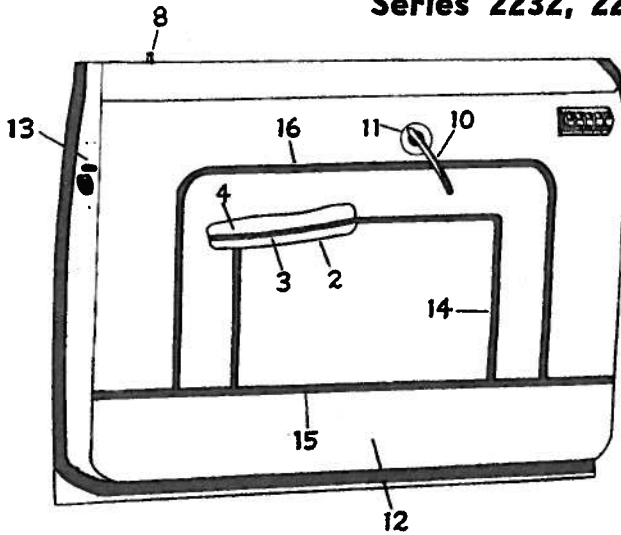
OUTSIDE MOLDING—SUPER

| Item | Part No. | Description | Price |
|------|----------|------------------------------------|-------|
| 1 | 383544 | Ornament assy. | |
| 2 | 396696 | Mold. div. finish, out. | |
| 3 | 385233 | Rim, L., finish, out. | |
| 4 | 385129 | Frame assy., L. | |
| 5 | 391363 | Rim, L., window finish | |
| 6 | 405595 | Mold., L., finish | |
| 7 | 385367 | Mold., L., qtr. panel belt, narrow | |
| 7 | 409683 | Mold., L., qtr. panel belt, wide | |
| 8 | 385369 | Mold., L., trunk lid belt, narrow | |
| 8 | 409685 | Mold., L., trunk lid belt, wide | |
| 9 | 396427 | Mold., L., low fender shroud | |
| 11 | 396407 | Mold., L., door bottom | |
| 12 | 385357 | Mold., L., door belt, narrow | |
| 12 | 409681 | Mold., L., door belt, wide | |
| 13 | 396622 | Mold., L., front fender, low. | |



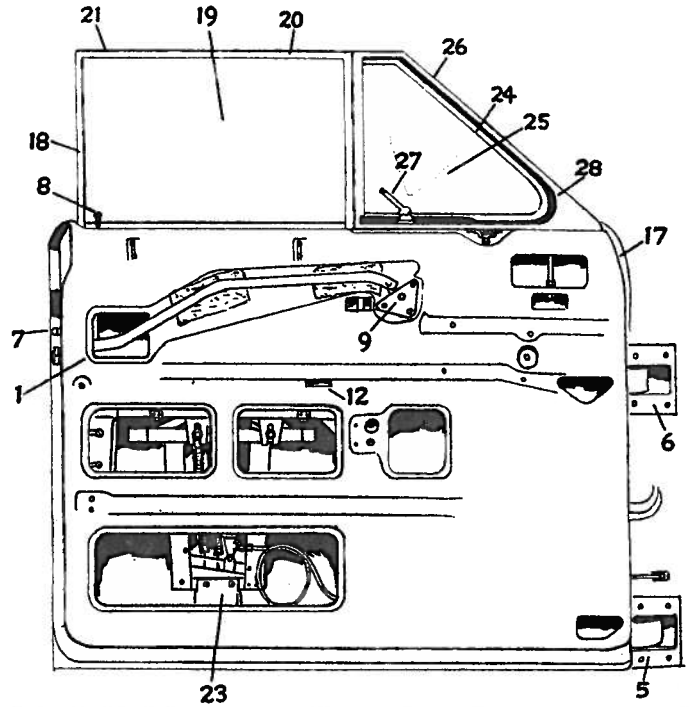
BODY PARTS 1948 SUPER and CUSTOM CONVERTIBLE PACKARD

Series 2232, 2233. ALL BODY STYLES

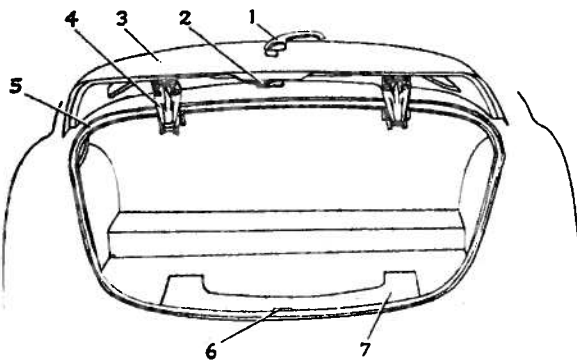


FRONT DOOR ASSEMBLY

| Item Part No. | Description | Price | Item Part No. | Description | Price |
|---------------|------------------------------------|-------|---------------|-------------------------------------|-------|
| 1 | 401501—Door, L., untrimmed | 60.00 | 399192 | Gasket, in screw | .02 |
| 1 | 401503—Door, L., untrimmed | 50.00 | 8 | 398916—Knob, lock rod | .30 |
| 1 | 411529—Panel rep., L., out. | 18.20 | 9 | 385257—Remote cont. Assy., L. | 1.00 |
| 2 | 256005—Arm rest, L., 2259 | 3.50 | 10 | 396478—Handle, R.C., in. | .90 |
| 2 | 253789—Arm rest, L., grip, 2279 | 4.50 | 11 | 396475—Plate, R.C., 2259 | .90 |
| 2 | 255893—Arm rest, L., solid, 2279 | 2.50 | 11 | 399096—Plate, R.C., 2279 | .50 |
| 3 | 405359—Mould., rest, grip, 2279 | .24 | 13 | 133284—Spring, R.C. | .07 |
| 4 | 256007—Trim Assy., L., 2259 | .90 | 13 | 399201—Striker L., 2259 | 2.00 |
| 4 | 253787—Trim Assy., L., 2279, grip | .80 | 13 | 399028—Striker L., 2279 | .40 |
| 4 | 255895—Trim Assy., L., 2279, solid | .80 | 12 | 372729—Plate Assy., striker | .28 |
| 396407 | Mould., out. | 2.00 | 12 | 256011—Panel, trim, L., 2259 | 37.50 |
| 391774 | Bumper, body half | 1.50 | 12 | 255911—Panel, trim L., 2279, cloth | 17.50 |
| 391718 | Bumper, door half | .18 | 12 | 255897—Panel, trim L., 2279 leather | 19.00 |
| 372249 | Arm Assy., check | .41 | 14 | 399797—Mould., cent. L., 2279 | 1.50 |
| 5 | 391321—Hinge Assy., low L | N.P. | 15 | 399793—Mould., low. | 1.10 |
| 6 | 391193—Hinge Assy., up. L. | 3.00 | 16 | 405806—Mould., up., 2259 | 1.00 |
| 7 | 399089—Lock Assy., L., 2259 | 11.00 | 16 | 399795—Mould., up., 2279 | 1.90 |
| 7 | 399063—Lock Assy., L., 2279 | 10.00 | 17 | 396057—Wthstp. L., hinge side up | .34 |
| 399038 | Case Assy. | 1.60 | 17 | 396157—Wthstp. L., pillar side low | 2.50 |
| 396657 | Handle, L., out-in screw | 3.50 | 17 | 396019—Wthstp. L., pillar side up | 1.80 |
| 401375 | Handle, L., out-in & out screw | 3.50 | 17 | 405872—Wthstp. L., lock side | .14 |
| 401444 | Gasket, in & out screw | .03 | 17 | 396231—Wthstp. L., door lock side | 1.20 |

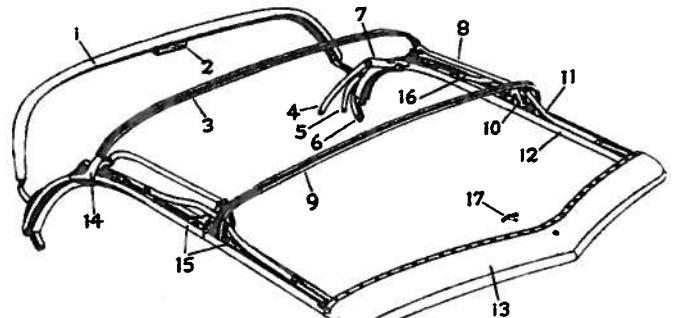


| Item Part No. | Description | Price | Item Part No. | Description | Price |
|---------------|-----------------------------|-------|---------------|----------------------------|-------|
| 17 | 391625—Wthstp. L., door low | 2.50 | 391764 | Spring, reg. retract. | N.P. |
| 253778 | Wdcord. L., hinge pillar | 1.90 | 385240 | Runway, window D, front | .30 |
| 253780 | Wdcord. L., lock pillar | 1.90 | 391792 | Runway, glass R. low | 1.00 |
| 396295 | Seal L., in. window | .40 | 391847 | Retainer, R. low runway | .90 |
| 18 | 405593—Mould., L., fin. | 20.00 | 391845 | Wthstp., glass | .80 |
| 396283 | Support, window | .04 | 24 | 385097—Vent. Assy. L. | 37.50 |
| 19 | 391380—Glass, window | 5.00 | 25 | 385152—Glass, vent. | 1.80 |
| 391823 | Chan. low glass | 8.00 | 25 | 385155—Glass & retainer L. | 9.00 |
| 20 | 391846—Wthstp., glass | .70 | 26 | 385129—Frame Assy. | 16.00 |
| 21 | 391819—Frame Assy. L. | 23.00 | 27 | 396571—Handle, lock, L. | .70 |
| 399701 | Guide Assy. L. | .40 | 372999 | Shaft, handle | .35 |
| 409184 | Stop, inner glass | .80 | 385157 | Pivot L, male | 1.50 |
| 409596 | Stop, low chan. | .30 | 385191 | Pivot L, female | .34 |
| 23 | 385685—Lifter Assy. glass | 2.75 | 28 | 385181—Wthstp. L., vent. | 2.50 |
| 396081 | Regulator Assy. L. | 5.00 | 385252 | Wthstp. low, front. | .05 |
| 410159 | Stud, regulator | .20 | 385250 | Wthstp. vent. rear. | .24 |
| 410160 | Spring, regulator stud | .20 | | | |



DECK LIDS

| Item Part No. | Description | Price |
|---------------|--------------------------|-------|
| 7 | 397118—Insulation | 3.00 |
| 3 | 396653—Lid Assy. | 27.00 |
| 4 | 385327—Hinge Assy. | 3.50 |
| 2 | 372343—Lock Assy. | 2.75 |
| 399058 | Cyl. & case | 1.70 |
| 405716 | Gasket, lid lock | .02 |
| 1 | 396641—Handle | 3.00 |
| 399137 | Gasket, handle | .10 |
| 6 | 372575—Striker, lid lock | .60 |
| 6 | 392621—Bracket striker | 1.00 |
| 6 | 372493—Plate, striker | .09 |
| 396697 | Script plate, 2279 | 2.75 |
| 5 | 385373—Wthstp., lid | 8.25 |



FOLDING TOP

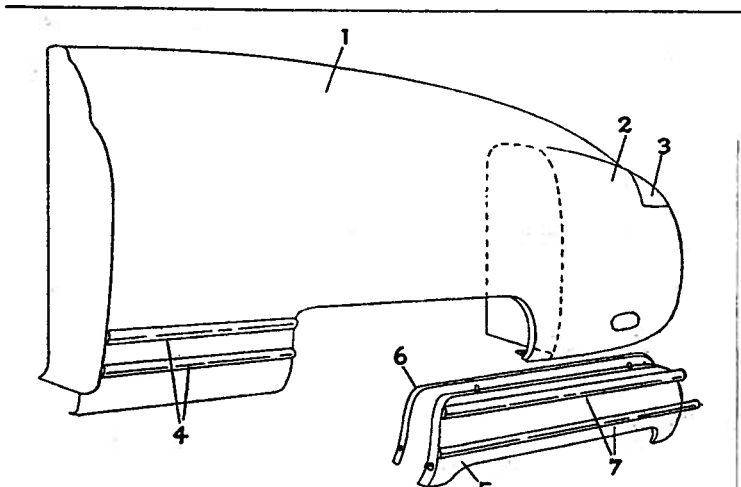
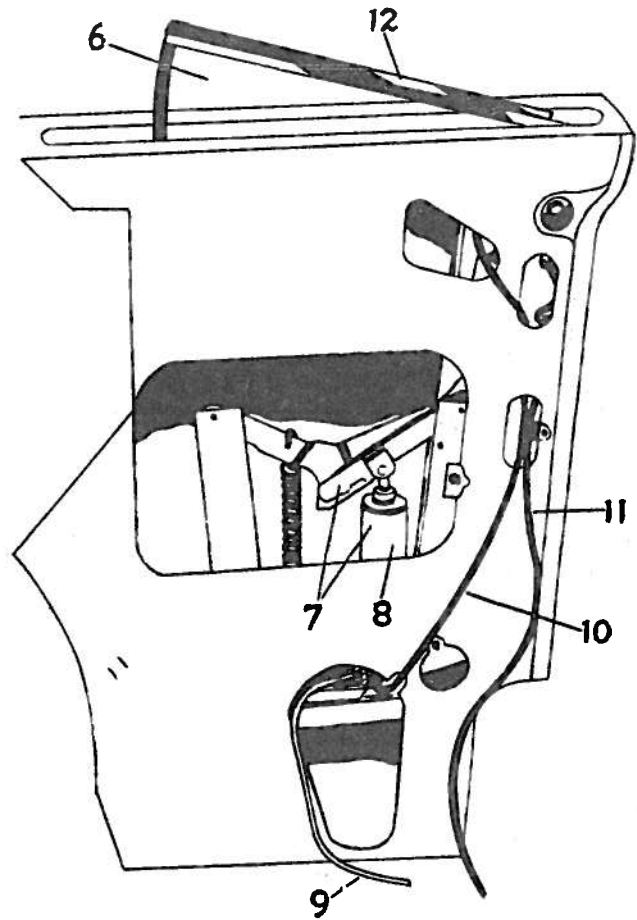
| Item Part No. | Description | Price | Item Part No. | Description | Price |
|---------------|-------------------------------------|-------|---------------|---------------------------------|-------|
| 1 | 391780—Rear bow | 6.60 | 10 | 396195—Link, L., side rail, | 1.00 |
| 2 | 375099—Dome light | 2.40 | 11 | 405119—Link, #1 bow-roof, | 4.50 |
| 3 | 405174—Bow, #2 | 4.40 | 11 | 405113—Link, L., side rail, | 3.00 |
| 4 | 405107—Prop, main control, L., 2259 | 6.60 | 12 | 399857—Reinfmt., cent. L. | 6.50 |
| 4 | 396241—Prop, main cont. | 2.00 | 12 | 399853—Reinfmt., front L. | 5.50 |
| 5 | 405114—Link, rail, 2259 | 4.50 | 12 | 399855—Reinfmt., rear L. | 6.50 |
| 5 | 391784—Link, rail, 2279 | N.P. | 13 | 401792—Header Assy. | 48.00 |
| 6 | 396011—Hinge, L., qtr. pil. | 7.00 | 14 | 391875—Hinge, L., side | 10.50 |
| 7 | 391927—Hinge, L., rail side | 10.00 | 15 | 396007—Link, rear bow | 1.59 |
| 8 | 405189—Link, side rail, 2259 | 3.30 | 16 | 405011—Link and support, #1 bow | 2.50 |
| 8 | 401777—Link, rail side, 2279 | 2.30 | 17 | 398104—Handle, header locking | 1.60 |
| 9 | 405178—Bow Assy., #1 | 4.40 | | | |
| 10 | 405113—Link, L., side rail, 2259 | 3.00 | | | |

PACKARD SUPER and CUSTOM CONVERTIBLE 1948 BODY PARTS

Series 2232, 2233. ALL BODY STYLES

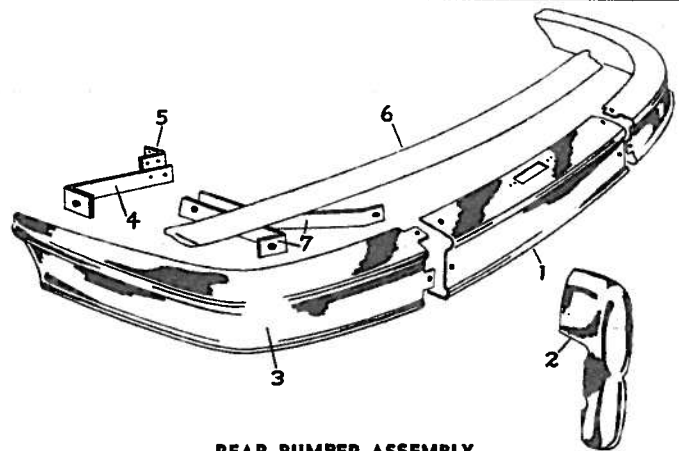
REAR QUARTER WINDOW ASSEMBLY

| Item | Part No. | Description | Price |
|------|----------|---------------------------|-------|
| 7 | 385055 | Cyl. & reg. assy L. | 15.00 |
| 8 | 396280 | Cyl. assy. | 9.00 |
| | 399190 | Cable assy. | .30 |
| 9 | 399032 | Tube assy. cyl. center F. | 1.00 |
| 10 | 396991 | Tube assy. cent. rear | .80 |
| 11 | 399023 | Tube assy. L. | .90 |
| | 385092 | Seal dust, inner | .40 |
| | 398093 | Seal, out, L. | .50 |
| 6 | 385245 | Glass & retainer | 35.00 |
| | 409531 | Guide, assy. ret. | .80 |
| | 391121 | Retainer L, assy. | 20.00 |
| 12 | 391194 | W/thstp, glass ret. | .60 |
| | 385259 | W/thstp, frame | 2.20 |
| | 396020 | Runwy, glass ret. R | .10 |
| | 385265 | Bracket L, on window | 2.00 |
| | 385267 | Bracket L, on body. | 4.50 |



REAR FENDER ASSEMBLY

| Item | Part No. | Description | Price |
|------|----------|-------------------------|-------|
| 1 | 411859 | Fend. & wh. house assy. | 70.00 |
| | 391011 | Panel, rep. out. | 17.00 |
| 2 | 409703 | Panel, rear up. L. | 17.00 |
| 2 | 409701 | Panel, rear up. L. | 6.50 |
| 3 | 396352 | Lid, gas filler | 1.20 |
| | 357434 | Bumper, filler lid | .07 |
| | 391326 | Hinge assy. | N.P. |
| | 391259 | Shield, L., fender | 1.30 |
| | 372495 | Seal, L., rear shield | .41 |
| 4 | 396421 | Mould., L., up., 2259 | 1.20 |
| 4 | 396413 | Mould., L., low | 1.20 |
| 5 | 411483 | Shroud, L., 2259 | 9.50 |
| 5 | 411485 | Shroud, L., 2279 | 9.35 |
| 6 | 399897 | Anti-squeak | .30 |
| | 399659 | Bracket shroud, L. | .16 |
| | 399941 | Bracket L., fender | .90 |
| 7 | 396427 | Mould., shroud L., low | 1.20 |
| 7 | 396425 | Mould., shroud L., up. | 1.20 |



REAR BUMPER ASSEMBLY

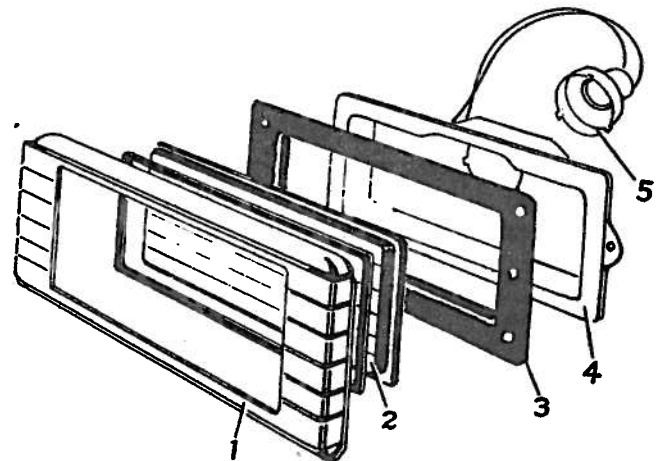
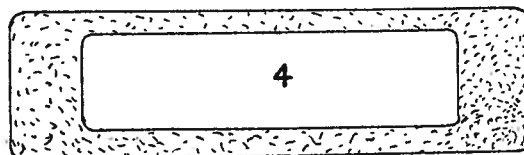
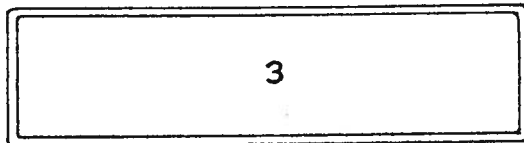
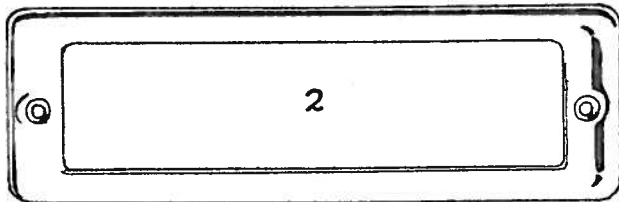
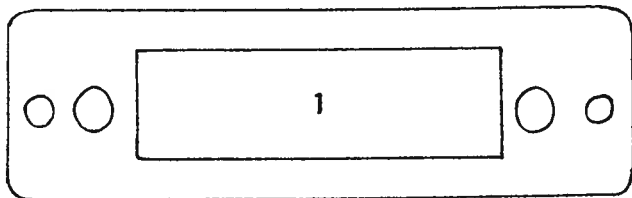
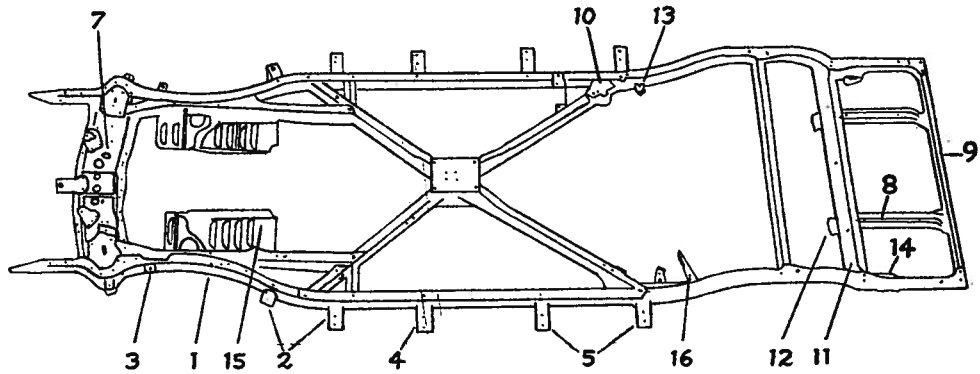
| Item | Part No. | Description | Price |
|------|----------|-------------------------|-------|
| | 389428 | Bumper assy., 2232 | 80.00 |
| | 395343 | Bumper assy., 2233 | 75.00 |
| 1 | 395346 | Bar, face, 2232 | 24.20 |
| 1 | 389516 | Bar, face, 2233 | 18.00 |
| 2 | 389515 | Guard, L., 2232 | 11.00 |
| 2 | 395520 | Guard, L., 2232 | 15.40 |
| 3 | 395548 | Guard, L., fender, 2232 | 30.00 |
| 3 | 395546 | Guard, L., fender, 2233 | 30.00 |
| 4 | 395568 | Bar, fender sup. | 1.65 |
| 5 | 403013 | Bracket, sup. | .44 |
| 6 | 401839 | Shield assy., stone | 4.00 |
| | 391600 | Seal, shield | .80 |
| 7 | 387989 | Bar, rear sup., in. | 2.00 |
| 7 | 395570 | Bar, out. rear sup. | 1.65 |

BODY PARTS 1948 SUPER and CUSTOM CONVERTIBLE PACKARD

Series 2232, 2233. ALL BODY STYLES

FRAME ASSEMBLY

| Item | Part No. | Description | Price |
|------|----------|--------------------------------------|--------|
| 1 | 395987 | —Frame, 2232 | 120.00 |
| 1 | 395989 | —Frame, 2233 | 120.00 |
| 2 | 371854 | —Bracket #1 | .50 |
| 2 | 384178 | —Bracket #2 L. | 2.00 |
| 4 | 371852 | —Bracket #3 & 4.... | .70 |
| 4 | 384181 | —Bracket #4½ | 2.50 |
| 5 | 373116 | —Bracket #5 L. | .85 |
| 3 | 341937 | —Bracket, hose F.... | .06 |
| | 371179 | —Bracket, R. hose .. | .41 |
| 7 | 389586 | —Chan. assy., F., 2232 | 20.00 |
| 7 | 389587 | —Chan. assy., F., 2233 | 20.00 |
| 8 | 371037 | —Support, L., tank.. | 1.00 |
| 9 | 373018 | —Chan. tank sup. ... | 3.45 |
| 10 | 371919 | —Bracket, sup., 2232 | .30 |
| 10 | 373851 | —Bracket, sup., 2233 | .60 |
| 11 | 367024 | —Channel, rear | N.P. |
| 12 | 348573 | —Bracket, rear shock | .16 |
| 13 | 367935 | —Bracket, L., R. sprg., F. | 1.40 |
| 14 | 367202 | —Bracket, L., R. sprg. shackle | 2.45 |
| 15 | 373931 | —Bracket, stab. | 4.00 |
| 16 | 373220 | —Bracket, R. cable.. | N.P. |



REAR LIGHTS TAIL & STOP LIGHT

| Item | Part No. | Description | Price |
|------|----------|------------------------|-------|
| | 391413 | —T. & S. assy., 2232. | 10.00 |
| | 396693 | —T. & S., assy., 2233. | 10.00 |
| 3 | 396639 | —Gasket, body, 2233.. | .70 |
| 3 | 391407 | —Gasket, body, 2232. | .60 |
| 4 | 405742 | —Body | 1.00 |
| 5 | 394842 | —Cable & socket, L.... | 2.00 |
| | 371841 | —Liner, cable & sock. | .14 |
| 1 | 351409 | —Door, L., 2232..... | 3.00 |
| 1 | 399635 | —Door, L., 2233..... | N.P. |
| | 405627 | —Gasket, glass | .14 |
| 2 | 399299 | —Glass, door, L., 2232 | 1.00 |
| 2 | 396637 | —Glass, door, L., 2233 | N.P. |
| | 362862 | —Switch, stop-light.. | .75 |

DIRECTIONAL LIGHT

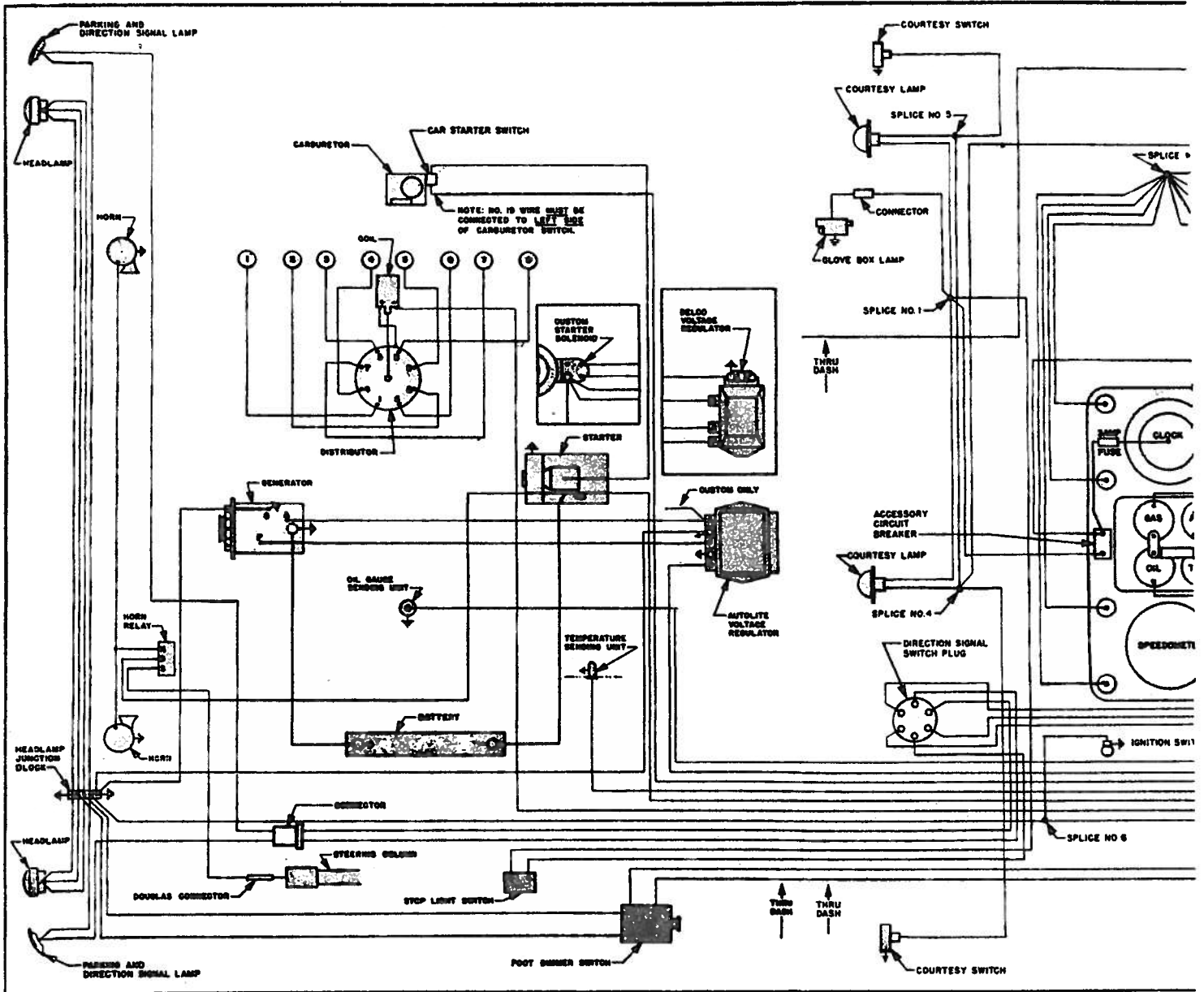
| | | | |
|--|--------|-----------------------|------|
| | 403816 | —Switch & cable assy. | 4.00 |
| | 373372 | —Connector | .28 |
| | 393743 | —Flasher | 2.00 |
| | 362292 | —Fuse, sw. | .06 |
| | 395710 | —Hub, sw. lever.... | 1.00 |

LICENSE LIGHT

| Item | Part No. | Description | Price |
|------|----------|-----------------------|-------|
| | 403862 | —Light, assy. | 4.00 |
| 1 | 389287 | —Gasket, light | .30 |
| 5 | 403861 | —Body & socket..... | 2.00 |
| 4 | 335835 | —Gasket | .06 |
| 6 | 410241 | —Cable, lic. lamp.... | .40 |
| 2 | 371692 | —Door | 2.10 |
| 3 | 371693 | —Glass, lic. lamp.... | .80 |
| | 371694 | —Gasket, lic. lamp... | .28 |

PACKARD SUPER and CUSTOM CONVERTIBLE 1948 WIRING

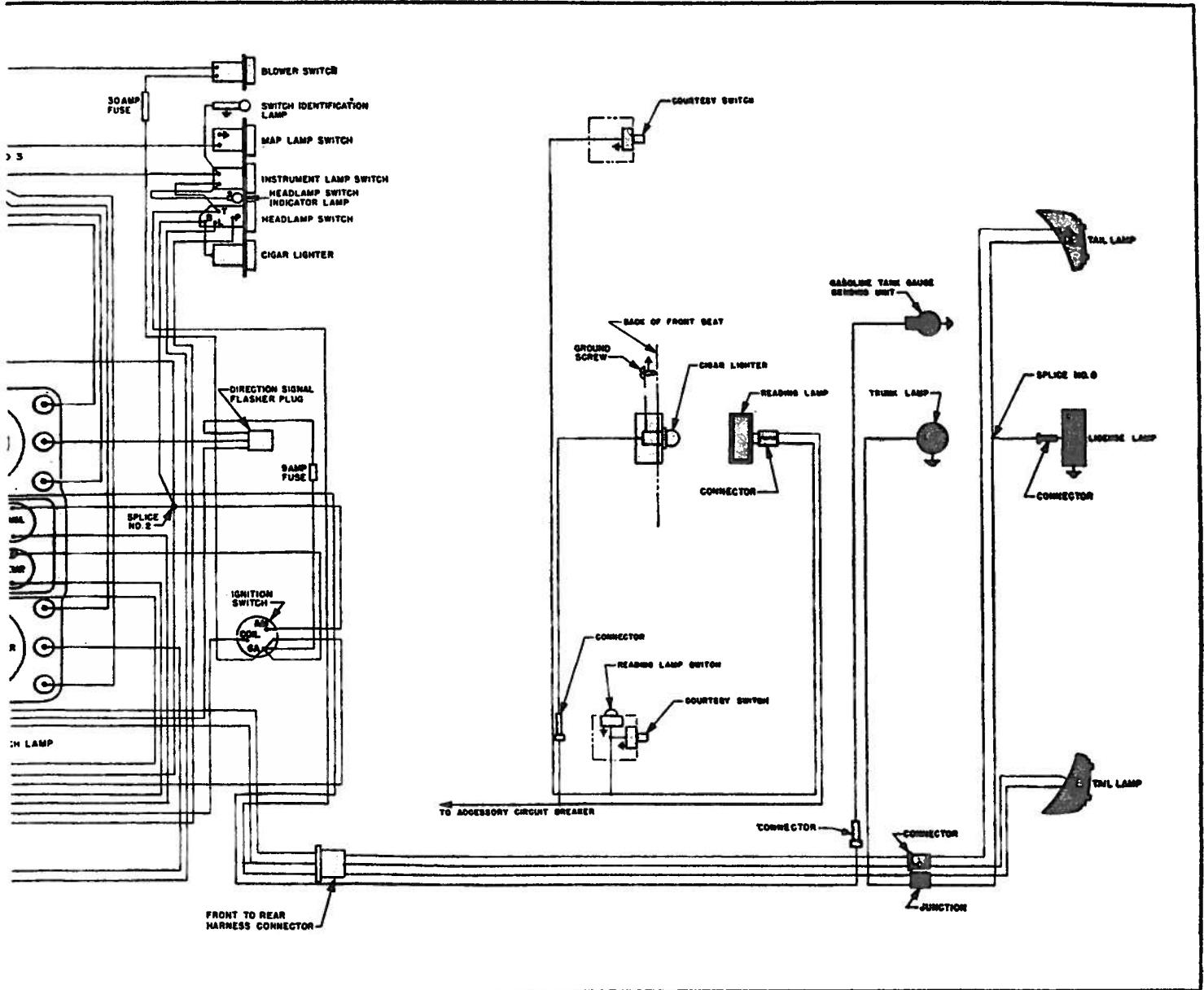
Series 2232, 2233. ALL BODY STYLES



Wiring Diagram—

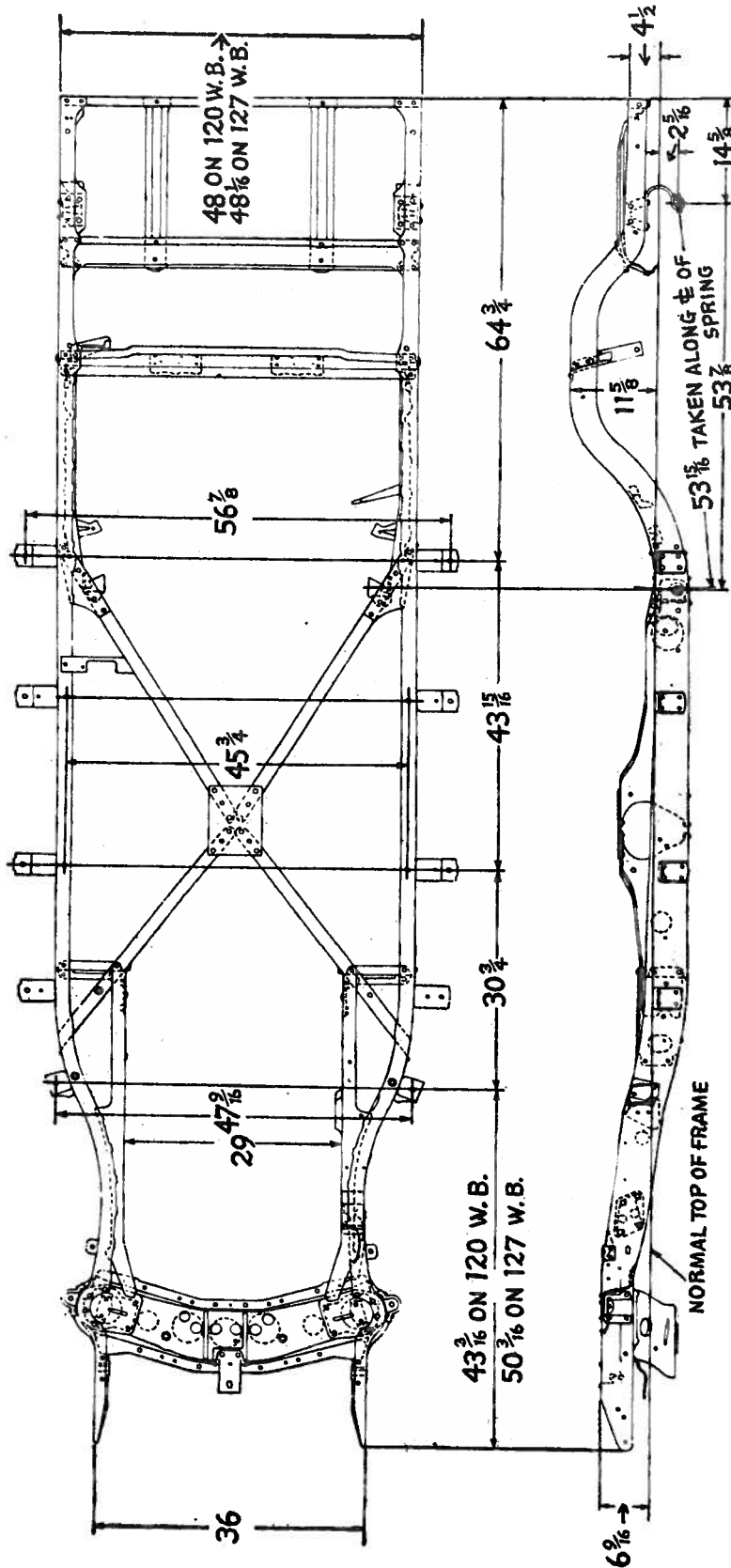
WIRING 1948 SUPER and CUSTOM CONVERTIBLE PACKARD

Series 2232, 2233. ALL BODY STYLES



PACKARD SUPER and CUSTOM CONVERTIBLE 1948 FRAME

Series 2232, 2233. ALL BODY STYLES



Frame Dimensions—Series 2232, 2233

FLAT RATE 1948 SUPER and CUSTOM CONVERTIBLE PACKARD Series 2232, 2233. ALL BODY STYLES

| Chilton Job No. | Chilton Labor Price | Chilton Job No. | Chilton Labor Price | Chilton Job No. | Chilton Labor Price | Chilton Job No. | Chilton Labor Price | Chilton Job No. | Chilton Labor Price | Chilton Job No. | Chilton Labor Price | Chilton Job No. | Chilton Labor Price | Chilton Job No. | Chilton Labor Price | | | | | | | | | | | | | | |
|-----------------|---------------------|-----------------|---------------------|-----------------|---------------------|-----------------|---------------------|-----------------|---------------------|-----------------|---------------------|-----------------|---------------------|-----------------|---------------------|------|-------|-------------|--------|--|-------------|--|--|-------------|--|--|---|--|--|
| A | | | A-continued | | | A-continued | | | B-continued | | | C-continued | | | D | | | E-continued | | | E-continued | | | F-continued | | | G | | |
| 1 | 3.50 | 6 | 15.00 | 20 | 7.20 | 9 | | 3 | | 1 | 3.50 | 2 | | 12 | | 2 | 14.50 | 1 | 100.00 | | | | | | | | | | |
| 1a | | 7 | 2.00 | 20x | 12.00 | 10 | | 4 | 3.00 | 1a | 3.00 | 3 | | 13 | | 3 | 21.50 | 2 | 25.00 | | | | | | | | | | |
| 2 | 3.00 | 8 | 1.50 | | | 11 | | 5 | 2.50 | 2 | 2.50 | 4 | | 14 | | 4 | 2.00 | 3 | 28.50 | | | | | | | | | | |
| 3 | | 9 | 4.00 | B | | | 12 | | 6 | | 3 | | 5 | | 15 | | 5 | 3.75 | 4 | | | | | | | | | | |
| 4 | 18.50 | 10 | | 1 | | 13 | | 7 | 12.00 | 4 | 12.00 | 6 | | 16 | | 6 | 2.00 | 5 | | | | | | | | | | | |
| 4a | | 11 | 3.00 | 1a | | 14 | | 8 | | 7x | 110.00 | 7 | | 17 | | 7 | 2.00 | 6 | | | | | | | | | | | |
| 4b | 2.00 | 12 | | 2 | | 15 | | 9 | | 8 | | 7x | | 18 | | 8 | 3.50 | 7 | | | | | | | | | | | |
| 4c | 4.50 | 13 | | 3 | | | | 10 | | 19 | 13.00 | 8 | | 19 | | 9 | | 7x | | | | | | | | | | | |
| 5 | 10.00 | 14 | | 4 | | | | 11 | | 20 | 4.00 | 9 | | | | 10 | | 8 | | | | | | | | | | | |
| 5a | 3.00 | 15 | | 5 | | C | | | 12 | | | | 10 | | 11 | | 10 | | | | | | | | | | | | |
| 5b | 6.00 | 16 | 2.00 | 6 | | 1 | | 13 | | | | 11 | | 12 | | 12 | 2.50 | 11 | | | | | | | | | | | |
| 5c | 4.00 | 17 | 1.50 | 7 | | 1a | | 14 | | | | 12 | | 13 | | 1 | 7.00 | 12 | | | | | | | | | | | |
| 5d | 7.50 | 18 | 10.00 | 8 | | 2 | | 15 | | E | | | 13 | | 1a | 6.00 | 13 | | | | | | | | | | | | |
| | | | | | | | | | | 1 | | 10 | | 14 | | | | 14 | 2.00 | | | | | | | | | | |

STEERING GEOMETRY

CASTER: Series 2232, 1½ to ½ degree negative, Series 2233, 2½ to 1½ degree negative.

CAMBER: ¼ degree negative to ¼ degree positive.

TOE-IN: Zero to 1/16 inches.

KING PIN INCLINATION: 5 degrees 50 minutes.

ADJUSTMENT

CASTER is controlled by full turns of the upper eccentric pin.

CAMBER is controlled by eccentric upper pin and full range is obtained in one-half turn.

TOE-IN should be adjusted at both tie-rods to centralize steering.

