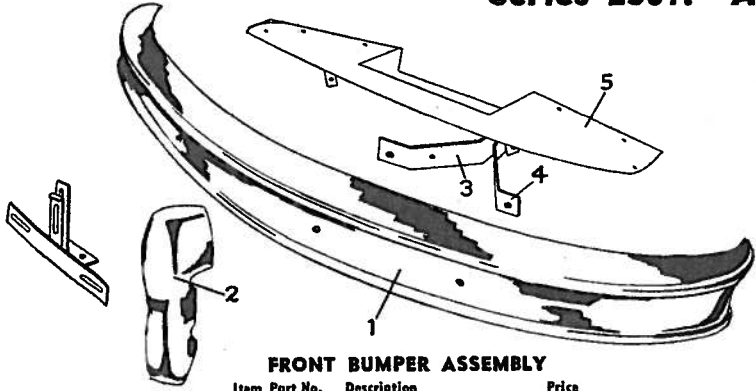


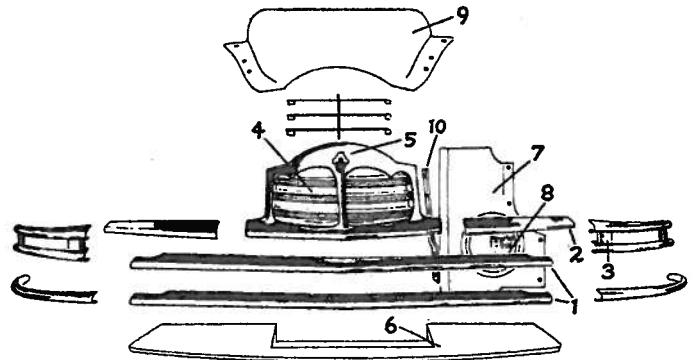
# PACKARD DE LUXE EIGHT 1949 BODY PARTS

## Series 2301. ALL BODY STYLES



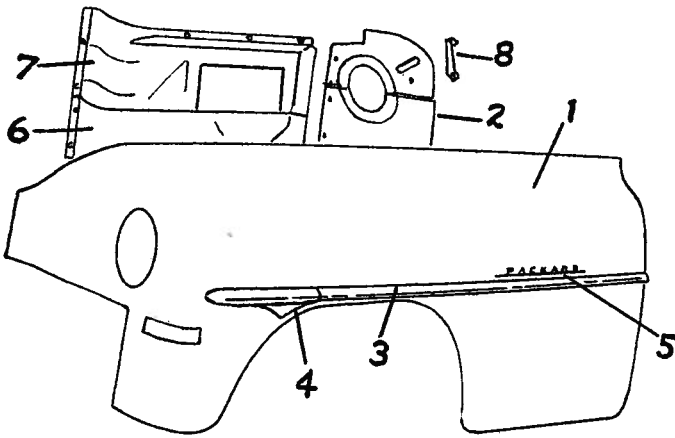
**FRONT BUMPER ASSEMBLY**

Item Part No.	Description	Price
412782	Bumper assy. ....	65.00
1 412788	Bar, face .....	35.00
2 412785	Guard, front L. ....	10.00
3 412793	Bar sup., in. L. ....	2.00
4 412795	Bar sup., out. L. ....	2.00
5 415232	Stone shield .....	3.00



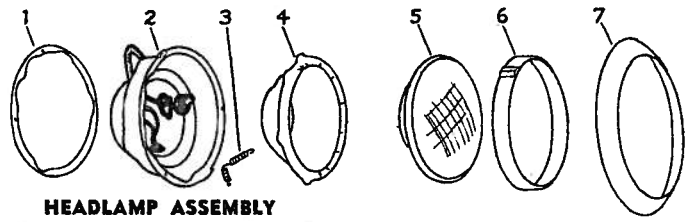
**GRILLE ASSEMBLY**

Item Part No.	Description	Price	Item Part No.	Description	Price
1 391216	Mold., low. & cent. ....	16.00	6 415232	Splasher, rad., low. ....	3.00
2 391215	Mold., up. L. ....	3.50	375077	Bumper, splasher, rubber .....	.07
3 415621	Parking light mold., L. ....	3.50	7 415545	Splasher, rad. side, L. ....	6.00
10 391377	Reinfmt., L. ....	.50	8 396446	Screen, rad. side splasher .....	.80
391219	Mold., up. L. ....	3.00	9 394613	Splasher, rad. top. ....	4.20
4 391056	Grille, less shd. ....	30.35			
5 391374	Emblem, grille ....	2.00			



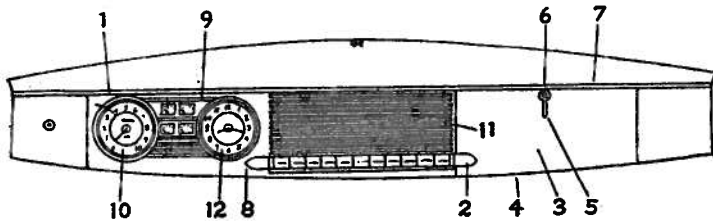
**FRONT FENDER ASSEMBLY**

Item Part No.	Description	Price	Item Part No.	Description	Price
1 415249	Fender assy., L. ....	50.00	4 413241	Plate, fender side, L. ....	1.50
415982	Seal, fender .....	N.P.	5 415670	Plate, script .....	1.25
372449	Bracket, shield, L. ....	.41	415672	Seal, script plate ..	.02
2 415087	Shield, L., gravel ..	N.P.	6 396321	Splasher assy., L., low. ....	6.00
8 391197	Brace, L., shield ..	.30	7 407854	Splasher, up. L. ....	4.50
3 413233	Mold., fender side, L. ....	1.60			



**HEADLAMP ASSEMBLY**

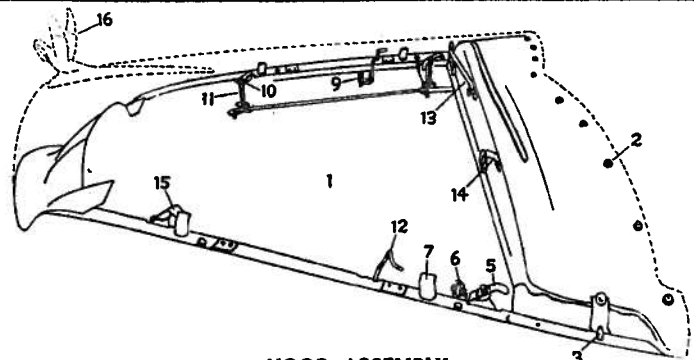
Item Part No.	Description	Price	Item Part No.	Description	Price
393696	Headlamp assy., L. ....	15.40	8		
1 371402	Gasket, fender ....	.28	9		
2 393702	Body assy. ....	3.00	10		
5 339528	Bulb .....	1.30	11		
4 371404	Mount. assy. ....	2.05			
6 354145	Retainer assy. ....	1.85			
410044	Cable assy. ....	2.00			
851167	Junction block ....	.30			
7 394717	Door .....	2.75			
383490	Switch assy., dim. ....	1.15			
311729	Cap, dim. sw. ....	.14			
393563	Sw. assy., hdlp. ....	2.75			
410047	Circuit breaker ....	1.00			
399584	Bracket, Indic. light ..	.70			
403820	Socket & cable ....	.30			



**INSTRUMENT PANEL ASSEMBLY**

Item Part No.	Description	Price	Item Part No.	Description	Price
1 415290	Instrument board assy. ....	N.P.	416153	Seal, sw. knob ident. lamp .....	N.P.
2 411633	Cover, ash rec. ....	1.30	410599	Mask, inst. clus. dial .....	1.20
412931	Trim, center pan. ....	8.00	410539	Case, inst. clus. ga. ....	.80
415541	Glove box assy. ....	2.00	8 415347	Panel assy., less inst. ....	N.P.
3 415265	Panel assy., glove B.D. ....	N.P.	412988	Trim, clus. pan. ....	3.75
4 376199	Hinge assy., G.B.D. ....	N.P.	9 396487	Mold. inst. clus. pan., low. ....	.50
401398	Adapter, handle G.B.D. ....	.50	9 396486	Mold. inst. clus. pan., up. ....	.80
5 401450	Handle, G.B.D. ....	1.50	396485	Trim mold., L. end, chrome .....	.50
385521	Spring, anti-rat. ....	.05	11 411639	Cover, radio, open. ....	1.50
G.B.D. handle .....			10 410014	Speedometer, 2392, 95 .....	10.00
6 385534	Cyl., G.B.D. handle 401434-Latch, G.B.D. handle .....	1.75	10 410013	Speedometer, 2362, 85 .....	12.50
401598	Striker assy., G.B.D. ....	.20	12 416070	Clock .....	19.55
399395	Mold., low. G.B.D. ....	.50			
7 396486	Mold., up. G.B.D. ....	.80			

Item Part No.	Description	Price	Item Part No.	Description	Price
416099	Light assy., L. ....	7.50	11 399329	Door, L. ....	2.80
8 416144	Body & cable assy., L. ....	4.00	393642	Gasket .....	.30
			9 393625	Glass .....	1.00
			10 416155	Gasket, glass .....	.40

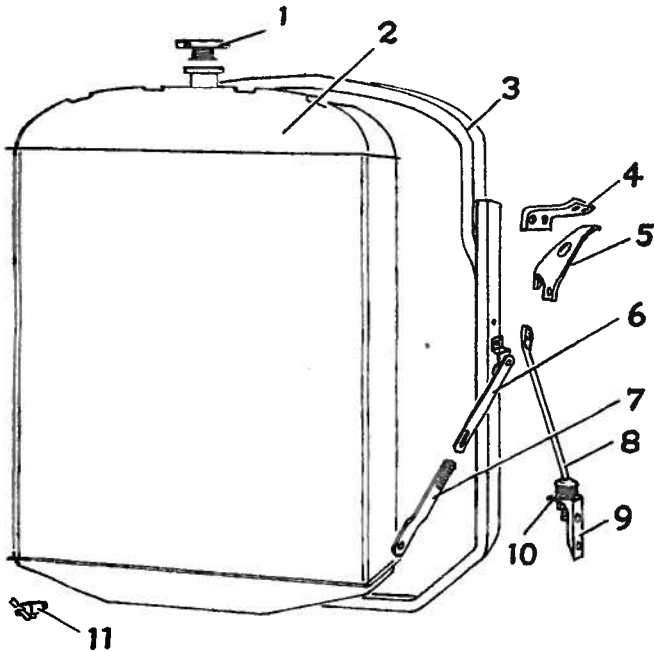


**HOOD ASSEMBLY**

Item Part No.	Description	Price	Item Part No.	Description	Price
1 391906	Hood assy. ....	38.00	10 372331	Pin, lock clamp ...	.10
2 372174	Bumper to cowl ...	.07	11 372450	Spring, lock clamp ...	.10
3 378664	Dowel, rear .....	.20	12 399493	Handle assy., L. ....	N.F.
391757	Pin, guide .....	1.75	399458	Knob, lock handle ..	.50
5 372295	Clamp-lock, L.F. ....	.48	372536	Grommet .....	.20
5 399529	Clamp-lock, L.R. ....	.90	13 396074	Prop .....	.40
6 399527	Roller, clamp .....	.30	14 372463	Rest prop .....	.70
7 372305	Bracket, L., clamp ..	.48	15 370413	Catch assy., L. ....	.70
372338	Rod, lock clamp .....	.48	16 PA407950	Ornament assy. ....	10.00
9 373764	Spring, anti-rattle ..	.05	415850	Wthstp., on cowl. ....	.40

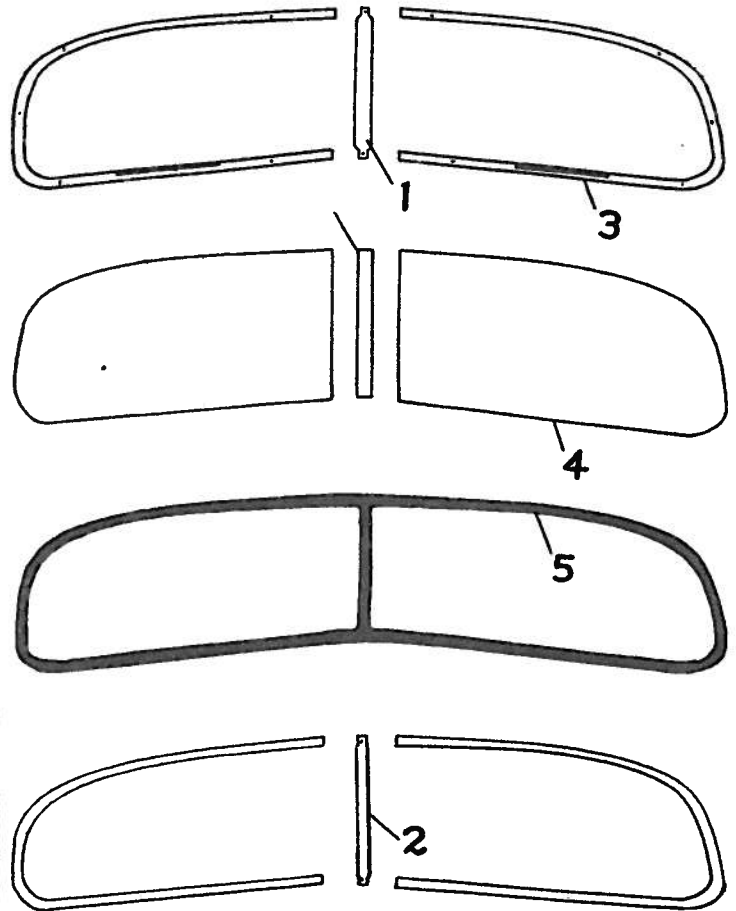
# BODY PARTS 1949 DE LUXE EIGHT PACKARD

## Series 2301. ALL BODY STYLES



### RADIATOR ASSEMBLY

Item Part No.	Description	Price
1 377265	Cap	1.40
2 418784	Core assy.	70.00
3 389850	Cradle assy.	8.25
4 395956	Bracket, L. fender	.90
5 391887	Brace, L. fender	.50
6 391885	Brace, low, fender	.50
7 395828	Brace, up, fender	.50
8 389867	Tie rod	1.00
9 362825	Bracket, tie rod	.46
11 378248	Drain cock	.46
395282	Elbow, out.	1.70
10 202504	Grommet	.15
10 362357	Guide	.02
10 202221	Retainer	.05

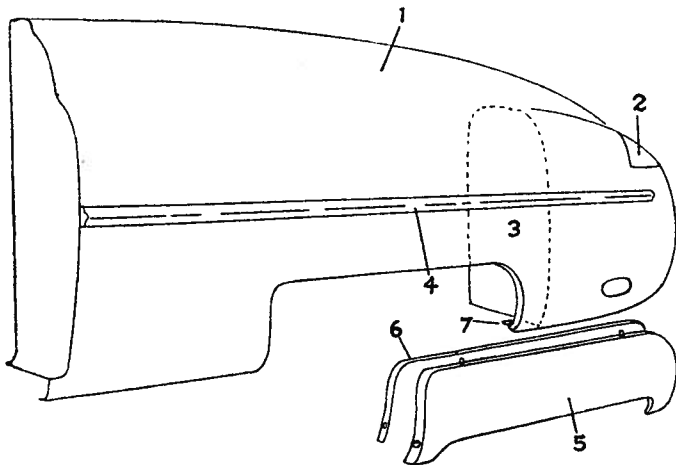


### WINDSHIELD ASSEMBLY

Item Part No.	Description	Price
376065	Reinfmt. assy. div.	1.00
1 415365	Mold. div. fin., in.	.65
2 376695	Mold. div. fin., out.	2.30
3 413324	Mold. fin., in.	4.00
372018	Plug, fin. mold. defroster	.14
995102	Cordwelt, fin. mold.	.60
369435	Rim, L., fin., out.	4.14
4 370168	Glass	11.05
5 370169	Wthstp., glass	6.00

### WINDSHIELD CLEANER

415511	Cable & pivot shft. assy., L.	2.30
415499	Tensioner assy., dr. cable, L.	1.50
413339	Motor assy.	10.25
415536	Cable assy., cl. cont.	1.25
399194	Gasket, con. cable knob	.07
399087	Knob, con. cable	.55
399094	Spacer, pivot shaft	.30
415990	Gasket, spacer p.s.	.07



### REAR FENDER ASSEMBLY

Item Part No.	Description	Price	Item Part No.	Description	Price
1 417171	Fender, L., 2362, 92	N.P.	3 391259	Shield, gravel, L.	1.30
1 417173	Fender, L., 2365, 95	N.P.	4 413215	Mold., L., fender, 2362, 92	1.60
413281	Panel rep., L., 2365, 95	N.P.	4 413219	Mold., L., fender, 2365, 95	2.50
2 396352	Lid assy., gas filler	1.20	5 411481	Shroud assy., R.F.	7.50
357434	Bumper, filler lid	.07	6 399897	Anti-squeak	.30
391145	Pin, lid hinge	.06	7 399941	Bracket, L., fender	.90
357433	Spring, F. lid	.14			
359825	Spring, R. lid	.14			

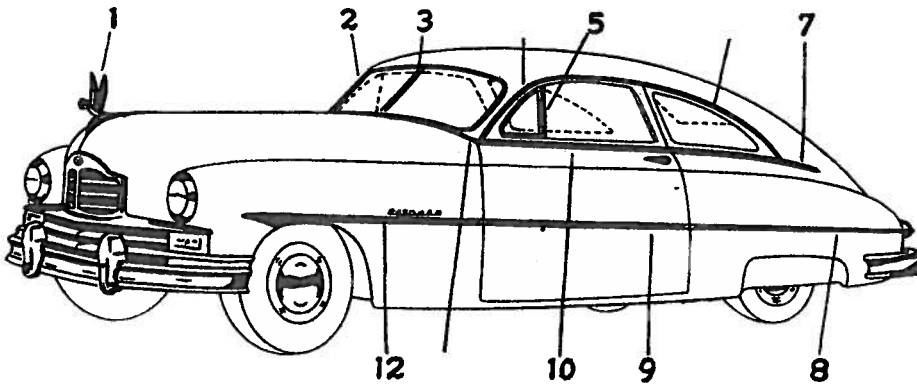
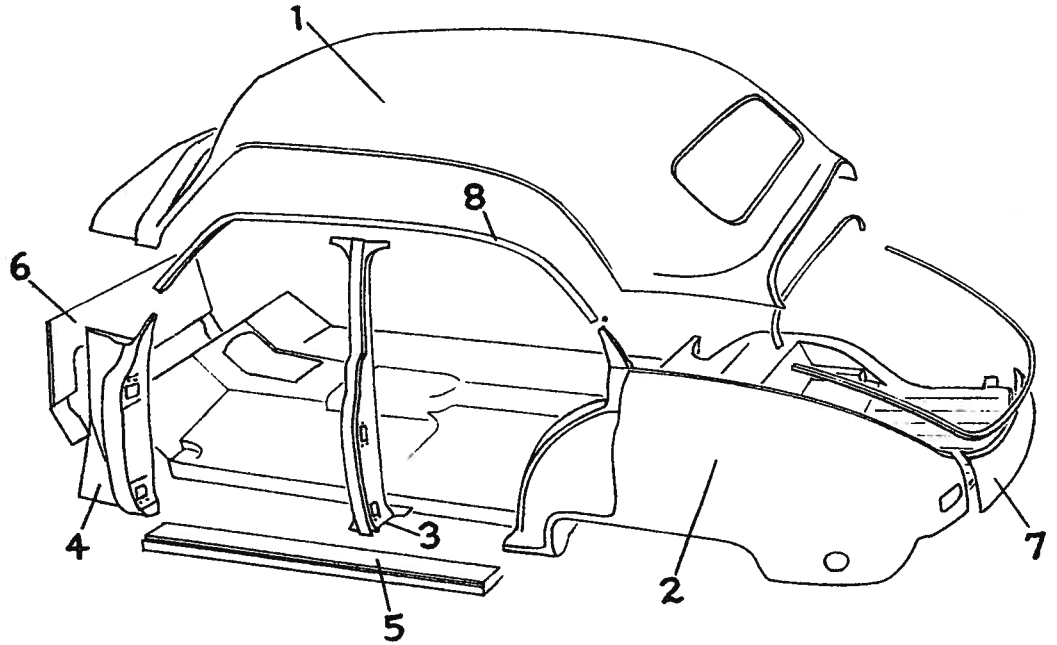
# PACKARD DE LUXE EIGHT 1949 BODY PARTS

## Series 2301. ALL BODY STYLES

### CAR BODY

#### 2 AND 4 DOOR TYPE

Item	Part No.	Description	Price
3	413917	—Pillar, cent. L., 2362, 92	12.00
4	413717	—Panel, L., cowl side	N.P.
6	413883	—Dash pan. assy.	N.P.
7	396416	—Panel, R. end cent., low	N.P.
	385279	—Gutter, up., 2362, 92	N.P.
	385290	—Gutter, up., 2365, 95	1.00
	385015	—Gutter, S. & B., 2362, 92	1.50
	385016	—Gutter, S. & B., 2365, 95	1.50
1	413695	—Roof assy., 2362, 92	75.00
1	413697	—Roof assy., 2365, 95	N.P.
8	413291	—Mold., gutter, 2362, 92	N.P.
8	413383	—Mold., gutter, 2365, 95	N.P.
	396097	—Roof rail, L., 2362, 92	3.30
	391245	—Roof rail, L., 2365, 95	2.00
	391651	—Reinfmt., roof, L., 2362, 92	1.35
	366783	—Reinfmt., roof, L., 2365, 95	.60
	392607	—Panel rep., floor	9.00
5	391921	—Panel assy., sill, L., 2362, 92	2.75
5	391923	—Panel assy., sill, L., 2365, 95	2.75
	403062	—Gas tank assy.	13.80
2	417171	—Fender assy., L., 2362, 92	N.P.
2	417173	—Fender assy., L., 2365, 95	N.P.

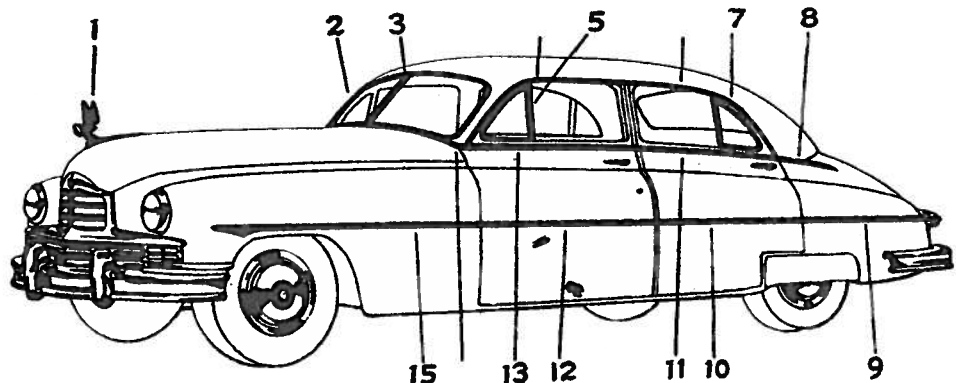


### OUTSIDE MOLDINGS—2 DOOR

Item	Part No.	Description	Price
1	PA407950	—Ornament assy.	12.00
2	369435	—Rim, L., outside fin.	4.14
3	376695	—Mold., L., div. fin.	2.30
5	372775	—Retainer assy., L., front window wing	4.05
7	413187	—Mold., L., rear qtr. belt	...
8	413219	—Mold., L., rear fender	...
9	413208	—Mold., L., door	...
10	413177	—Mold., L., door belt	...
12	413233	—Mold., L., front fender side	...

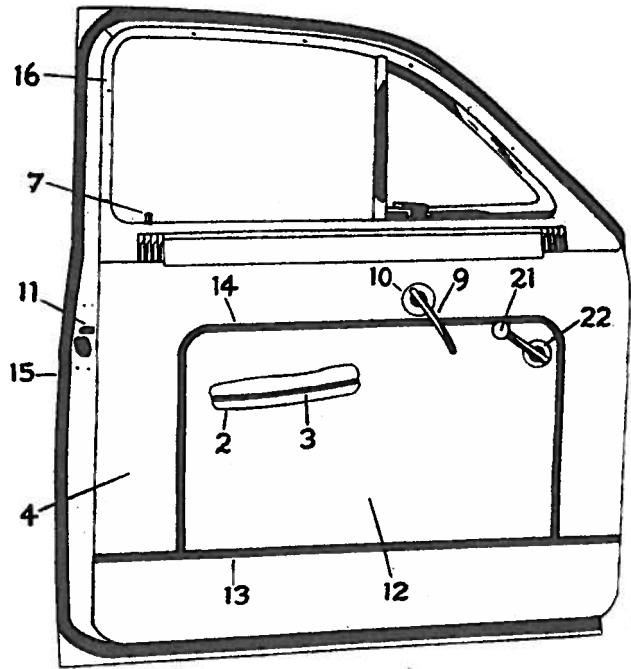
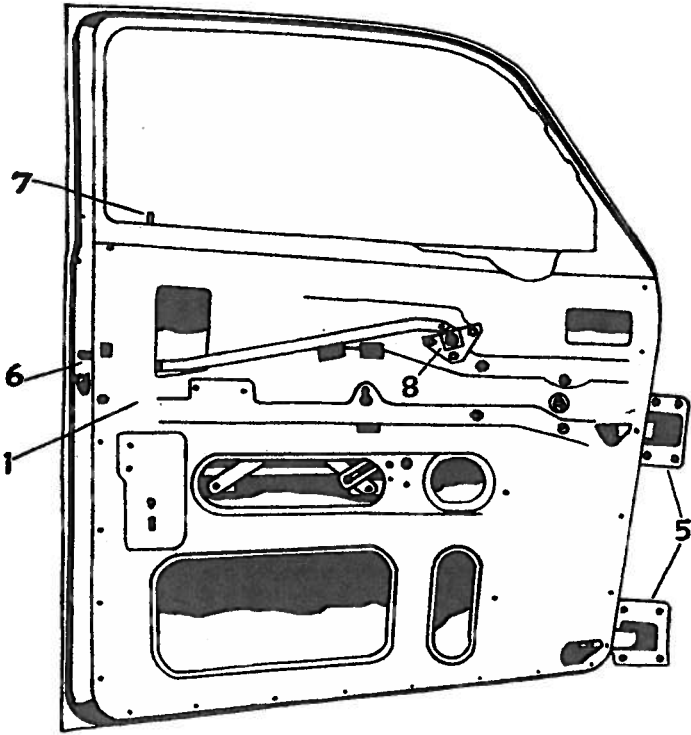
### OUTSIDE MOLDINGS—4 DOOR

Item	Part No.	Description	Price
1	PA407950	—Ornament assy.	12.00
2	369435	—Rim, L., outside fin.	4.14
3	376695	—Mold., out. div. fin.	2.30
5	372775	—Retainer assy., L., window wing, F.	4.05
7	372781	—Retainer, L., rear window wing	...
8	413185	—Mold., L., rear qtr. belt	...
9	413215	—Mold., L., rear fender	...
10	413210	—Mold., L., rear door	...
11	413181	—Mold., L., rear door belt	...
12	413206	—Mold., front door	...
13	413175	—Mold., front door belt, L.	...
15	413233	—Mold., fender side, L.F.	...



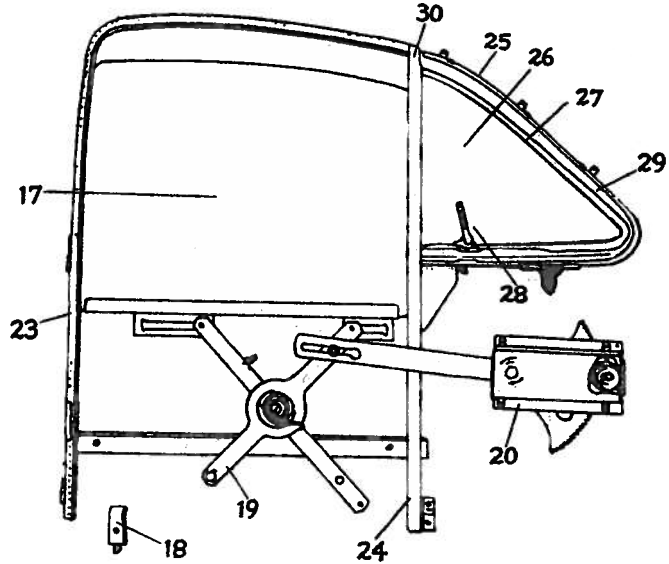
# BODY PARTS 1949 DE LUXE EIGHT PACKARD

## Series 2301. ALL BODY STYLES



### FRONT DOOR ASSEMBLY 2 AND 4 DOOR TYPE

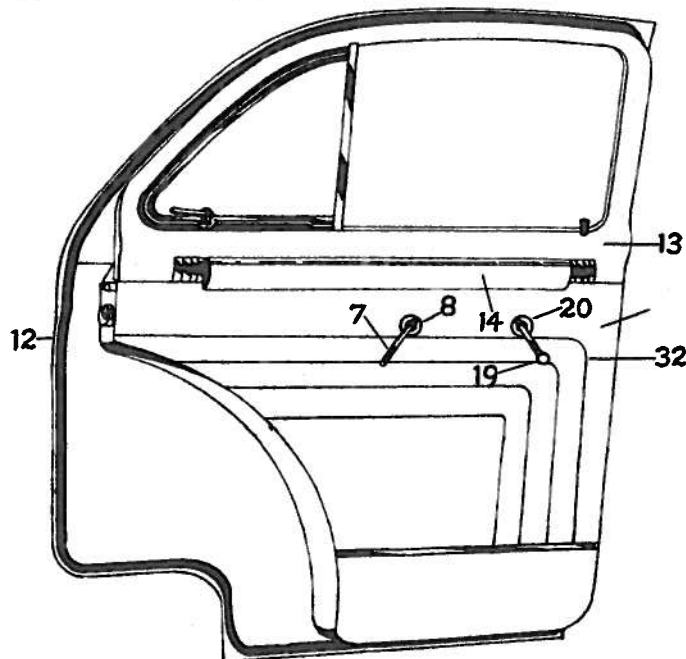
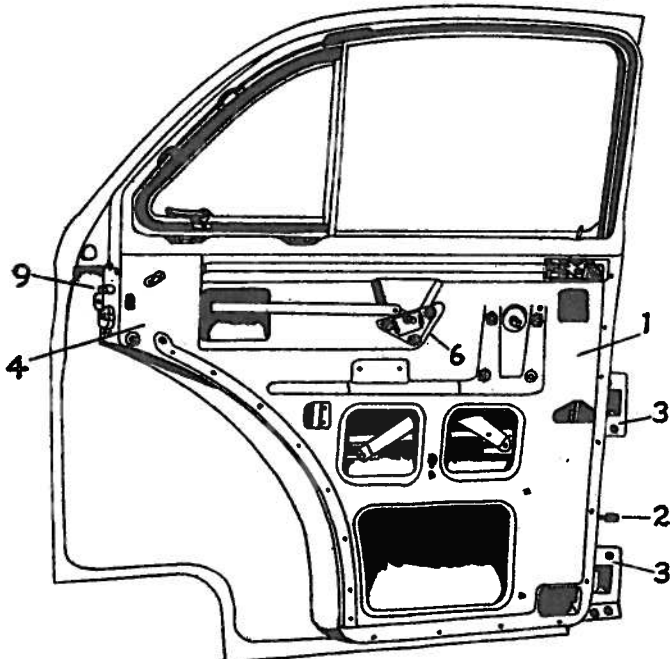
Item Part No.	Description	Price	Item Part No.	Description	Price
1 413805	Door, stripped, 2362, 92	45.00	15 391625	Wthstp., L., low. door, 2365, 95	2.50
1 413811	Door, stripped, 2365, 95	45.00	251032	Wdcord., L., cloth, 2362, 92	N.P.
411529	Panel, rep., out. L.	13.20	251988	Wdcord., L., 2365, 95	N.P.
2 257707	Arm rest, L., cloth, 2362, 92	N.P.	376583	Seal, window, out. L., 2362	.70
2 256957	Arm rest, L., 2365, 95	N.P.	375157	Seal, window, out. L., 2365	.90
3 405359	Mold, rest, 2362, 92	N.P.	372209	Seal, window, out. L., 2392	.60
4 257857	Trim, rest, cloth, 2362, 92	N.P.	375155	Seal, window, out. L., 2395	.60
4 256955	Trim, rest, 2365, 95	N.P.	16 413643	Mold., L., 2362	6.00
413206	Mold., bottom, 2362, 92	1.60	16 413645	Mold., L., 2365	N.P.
413208	Mold., bottom, 2365, 95	1.75	16 413649	Mold., L., 2392	N.P.
372341	Bumper, F. pillar	.14	16 413501	Mold., L., 2395	N.P.
372652	Bumper, cent. pillar	.28	417016	Mold., L., 2362	N.P.
372249	Arm assy., check	.41	417019	Trim strip, 2365	N.P.
370405	Bracket, check	.41	415674	Plate, L.F., strip end	N.P.
370406	Retainer assy.	.46	415675	Plate, L.F., strip end	N.P.
5 411279	Hinge assy., low. L.	3.40	17 389651	Glass, 2362, 92	4.45
5 411273	Hinge assy., up. L.	3.40	17 374654	Glass, 2365, 95	6.25
372040	Pin, hinge	.18	18 411591	Stop, window glass	.14
6 396061	Lock assy.	3.50	19 370425	Lifter assy., L., 2362, 92	.80
410434	Cyl., uncut	.50	19 385685	Lifter assy., L., 2395	2.75
391617	Case assy.	1.50	314805	Cushion, .070 x 1 1/4"	.12
401375	Handle, L., out. lock	3.50	20 370271	Regltr., L., reg. assy.	2.05
401444	Gasket, lock, out.	.03	20 383269	Regltr., L., reg. assy.	1.50
7 399712	Knob, lock rod	.10	372349	Arm & pivot, L.	1.40
8 372357	R. cont. assy., 2362, 92, L.	.85	370420	Plate, roller	.28
8 374293	R. cont. assy., 2365, 95, L.	.85	21 396480	Handle, reg. ex., 2392	1.00
9 396478	Handle, R.C., in.	.90	22 399096	Plate, handle ex., 2392	.50
0 399096	Plate, R.C., 2362, 65	.50	133264	Spring, reg.	.07
133264	Spring, R.C., plate	.07	385695	Runway & ret., L., 2365	2.30
1 372899	Striker assy., L.	.60	385695	Runway & ret., L., 2395	1.75
3 406502	Mold., low., 2362, 92	N.P.	23 376567	Runway, rear L., 2362	3.20
3 414310	Mold., low., 2365, 95	N.P.	23 372649	Runway, rear L., 2392	2.00
5 391443	Wthstp., L., hinge pillar	3.00			
5 391619	Wthstp., L., lock side & up., 2362, 92	1.80			
5 391623	Wthstp., L., lock side & up., 2365, 95	1.70			
5 391643	Wthstp., L., low., 2362, 92	2.50			



Item Part No.	Description	Price	Item Part No.	Description	Price
24 372637	Runway, F.L., 2362, 92	1.40	372775	Retainer assy., L.	4.05
24 385690	Runway, F.L., 2365, 95	.80	372959	Striker plate	.28
380555	Retainer, L.R. runway, 2362, 92	.60	28 396571	Handle, L. vent.	.70
372053	Retainer, L.F. runway, 2362, 92	2.90	372999	Shaft, vent. handle	.35
385689	Retainer, L.F. runway, 2365, 95	2.70	372843	Pivot, L., female	N.P.
25 405367	Vent. assy., L., 2362, 92	14.00	372703	Washer, up. pivot sprg.	.12
25 405365	Vent. assy., L., 2365, 95	15.00	380430	Washer, low. pivot sprg.	.03
26 370166	Glass, vent.	2.00	29 370401	Wthstp., L. vent., F.	1.50
311439	Cushion, .070 x 1 1/4"	N.P.	30 372027	Wthstp., L. vent., R.	.60
353194	Cushion, .080 x 1 1/4"	N.P.	380497	Retainer assy., L., 2362, 92	4.60
27 376633	Glass & ret., L.	5.75	392807	Retainer assy., L., 2365, 95	3.50

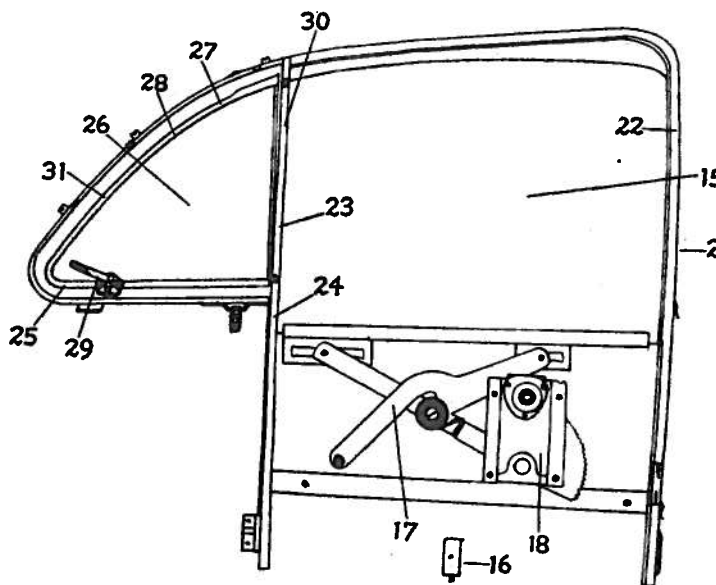
# PACKARD DE LUXE EIGHT 1949 BODY PARTS

## Series 2301. ALL BODY STYLES



### REAR DOOR ASSEMBLY

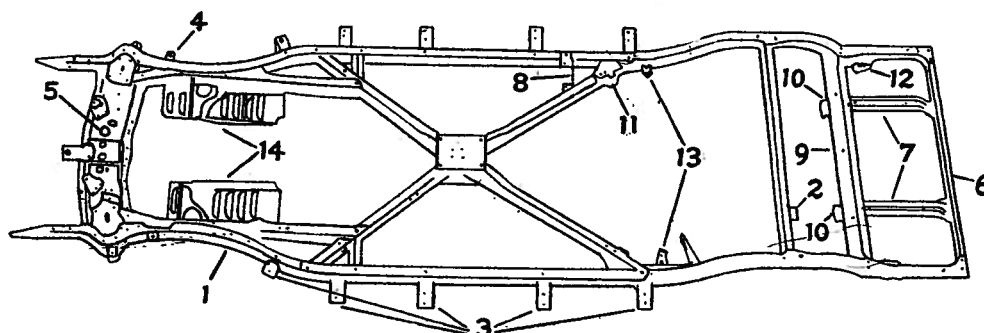
Item	Part No.	Description	Price	Item	Part No.	Description	Price
1	413791	Door, stripped, L...	33.00	415674	Plate, trim strip, R.R. & L.F.	N.P.	
	411331	Panel, rep., out., 2382, 92	N.P.	415675	Plate, trim strip, L.R. & R.F.	N.P.	
	413210	Mold, bottom, out.	1.50	15	370041	Glass	4.45
	372341	Bumper	.14	16	411591	Stop, glass	.14
2	372190	Check arm assy.	.41	17	370437	Lifter assy., L.	.85
	370405	Bracket, check arm	.41	18	370273	Regltr. assy.	2.70
	370406	Retainer assy.	.46	19	395480	Handle, reg.	1.00
3	391473	Hinge, L., low.	1.80	20	395096	Escutcheon plate	.50
3	391355	Hinge, L., up.	1.70	133264	Spring, escutcheon	.07	
4	396065	Lock assy.	3.00	21	376601	Runway, window, F.	2.00
	401375	Handle, L., out.	3.50	372666	Clip, rear runway	.03	
	401444	Gasket, lock, out.	.03	22	380554	Retainer, L. runway, F.	.60
	391559	Control assy., L.	.90	24	372638	Runway, window, R.	1.75
5	399712	Knob, lock rod	.10	23	376271	Retainer, L. window, R.R.	4.15
6	396073	Remote con., L.	.80	25	405369	Vent. assy., L.	14.00
7	396478	Handle, R.C., in.	.90	413637	Deflector, L. vent.	N.P.	
9	399141	Striker, lock	.40	372921	Grommet, up. L. deflector	.14	
32	408503	Mold, trim pan., low.	N.P.	372797	Bracket, vent. deflector	.14	
32	408505	Mold, trim pan., up. L.	N.P.	26	370396	Glass, vent.	2.00
11	391803	Wthstp., L., hinge side	2.00	27	376635	Glass & retainer assy., vent.	5.75
11	396245	Wthstp., L., lock & up. sides	1.50	28	372781	Retainer, vent. glass	4.15
11	391559	Wthstp., L., low.	2.00	29	396571	Handle, L., vent. lock	.70
12	252947	Wdcord, L.	1.70	372999	Shaft, vent. lock handle	.35	
	376725	Seal, window, L., in.	.90	372959	Plate, striker	.28	
	376893	Seal, window, L., out.	.60	30	372037	Wthstp., L. vent., F.	.46
18	413647	Mold, finish, L., 2382	N.P.				
13	413505	Mold, finish, L., 2392	N.P.				
14	417014	Trim strip	N.P.				



Item	Part No.	Description	Price	Item	Part No.	Description	Price
	31	370403	Wthstp., L. vent., R.		380499	Retainer assy., L. vent. wthstp.	3.8

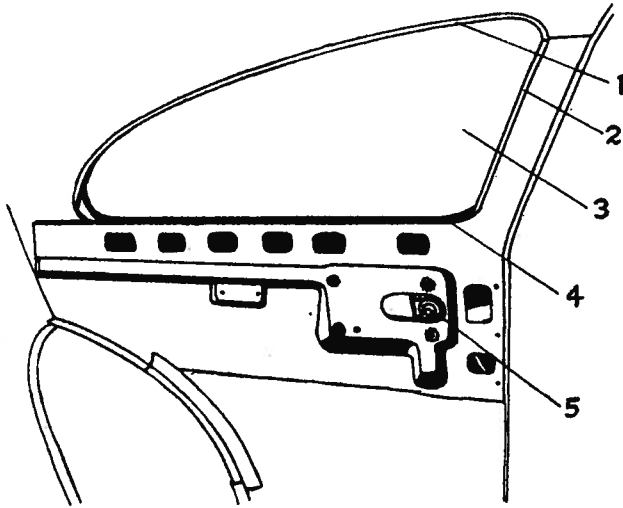
### FRAME ASSEMBLY

Item	Part No.	Description	Price
1	418330	Frame	82.6
2	418345	Bracket, stab. lat.	N.F.
3	371854	Bracket, #1	.5
3	371853	Bracket, #2	.7
3	371852	Bracket, #3 & 4	.7
3	373116	Bracket, L., #5	.6
4	341937	Bracket, front brake hose	.6
4	371179	Bracket, rear brake hose	.4
5	395936	Chan. assy., F.	20.0
6	371037	Sup., gas tank	1.0
7	373018	Channel, tank sup.	3.4
8	371919	Bracket, muff. sup.	.3
9	367024	Chan., rear	N.F.
10	348573	Bracket, shock, rear	.4
11	367935	Bracket, F.L. sprg., R.	1.4
12	367202	Bracket, L.R. sprg. shackle	2.7
13	373220	Bracket, R. brake cable	N.F.



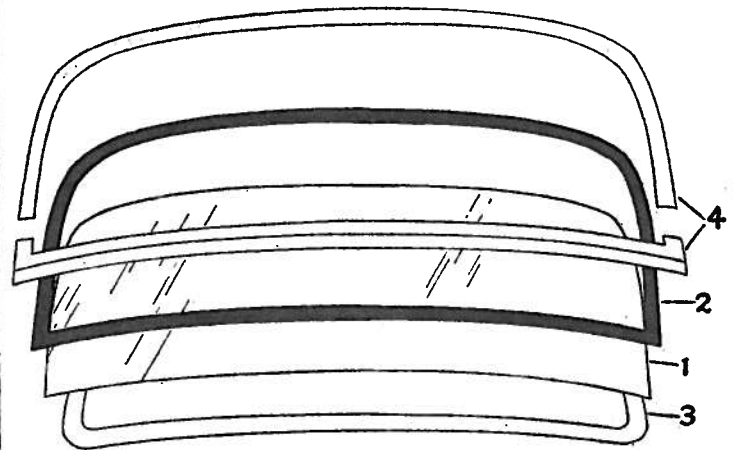
# BODY PARTS 1949 DE LUXE EIGHT PACKARD

## Series 2301. ALL BODY STYLES



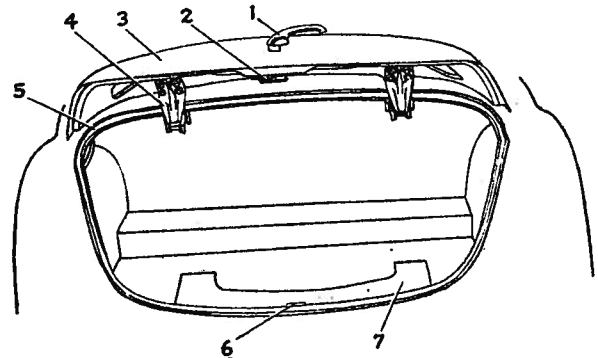
### REAR QUARTER WINDOW

Item Part No.	Description	Price	Item Part No.	Description	Price
375031	Seal, dust, out. L., 2365	1.15	396480	Handle, reg.	1.00
375033	Seal, dust, out. L., 2395	1.15	399098	Plate, handle escut.	.50
374403	Seal, dust, in. L., 2365	1.15	133264	Spring, R.H. escut. plate	.07
374405	Seal, dust, in. L., 2395	1.15	375027	Runway assy., L.F., low.	.60
1 413849	Mold., L., fin., 2365	N.P.	375025	Runway assy., L., up. & rear, 2365	2.30
1 413523	Mold., L., fin., 2395	N.P.	375023	Runway assy., L., up. & rear, 2395	2.30
2 417015	Trim strip, 2365	N.P.	385359	Retainer, runway, L.F.	.90
4 374223	Wthstp., glass, low.	N.P.	385355	Retainer, runway, L.R.	.90
3 374883	Glass	N.P.			
374317	Lifter assy.	1.15			
5 374425	Regtr. assy., L.	4.85			



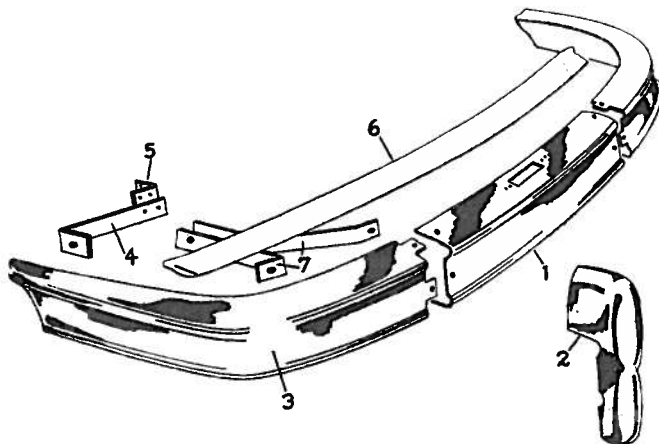
### REAR WINDOW ASSEMBLY

Item Part No.	Description	Price	Item Part No.	Description	Price
1 413994	Glass, 2362, 92	17.00	3 413834	Mold. fin., 2365, 95.	N.P.
1 374222	Glass, 2365, 95	20.15	4 417255	Rim, fin., up., 2362, 92	1.50
2 417028	Wthstp., glass, 2362, 92	3.00	4 417251	Rim, fin., low., 2362, 92	N.P.
2 374223	Wthstp., glass, 2365, 95	2.90	4 374908	Rim, fin., 2365, 95.	4.15



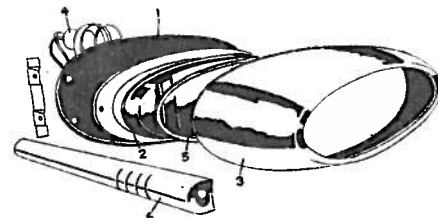
### DECK LIDS

Item Part No.	Description	Price	Item Part No.	Description	Price
7 397118	Insulation	3.00	1 396641	Handle assy.	3.00
3 396654	Lid assy., 2362, 92.	27.00	399137	Gasket, handle	.10
3 396652	Lid assy., 2365, 95.	18.00	6 372575	Striker, lock	.60
4 385326	Hinge assy., 2362, 92	3.50	6 392621	Bracket, striker	1.00
4 385327	Hinge assy., 2365, 95	3.50	6 372493	Plate, striker	.09
2 372343	Lock assy.	2.75	396697	Script plate	2.75
410435	Cyl., uncut	.50	5 380263	Wthstp., lid, 2362, 92	4.15
396924	Cyl. & case	1.10	5 385296	Wthstp., lid, 2365, 95	6.95



### REAR BUMPER ASSEMBLY

Item Part No.	Description	Price
412868	Bumper assy.	80.00
1 395346	Bar, face, rear	24.20
2 412785	Guard, L.	
3 395548	Guard, fender, L.	33.00
4 395568	Bar, fender sup.	1.65
5 403019	Bracket, R.F. sup.	.44
6 401839	Shield, stone	4.00
391600	Seal, stone shd.	.80
7 387889	Bar, in. sup.	2.00
7 395570	Bar, out. sup.	1.65



### REAR LAMPS

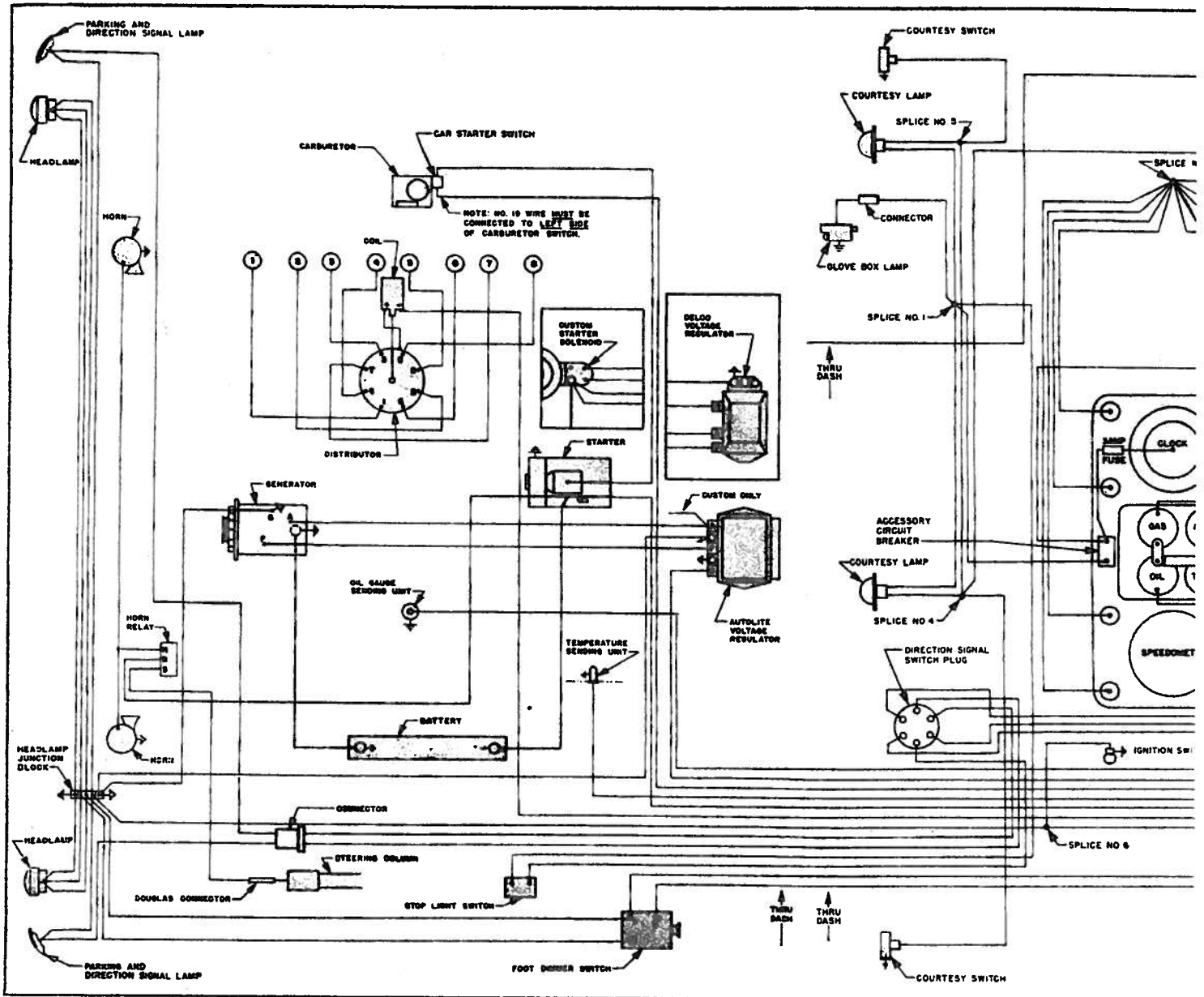
Item Part No.	Description	Price	Item Part No.	Description	Price
412990	Tail & stop assy., L.	7.50	5 410620	Glass	1.00
1 416071	Gasket, L.	.40	6 416048	Mold.	2.50
413401	Reinfmt., L.	.25			
2 410619	Body, in.	N.P.			
3 410618	Body, out. L.	N.P.			
4 410624	Cable & socket, L.	N.P.			
410625	Seal, cable	N.P.			

DIRECTIONAL SIGNAL		Price
416023	Switch & cable	3.00
416069	Flasher	1.50
416051	Connector	.20
416058	Bracket, flasher	.10
416064	Spacer, flasher	N.P.

# PACKARD DE LUXE EIGHT 1949 WIRING

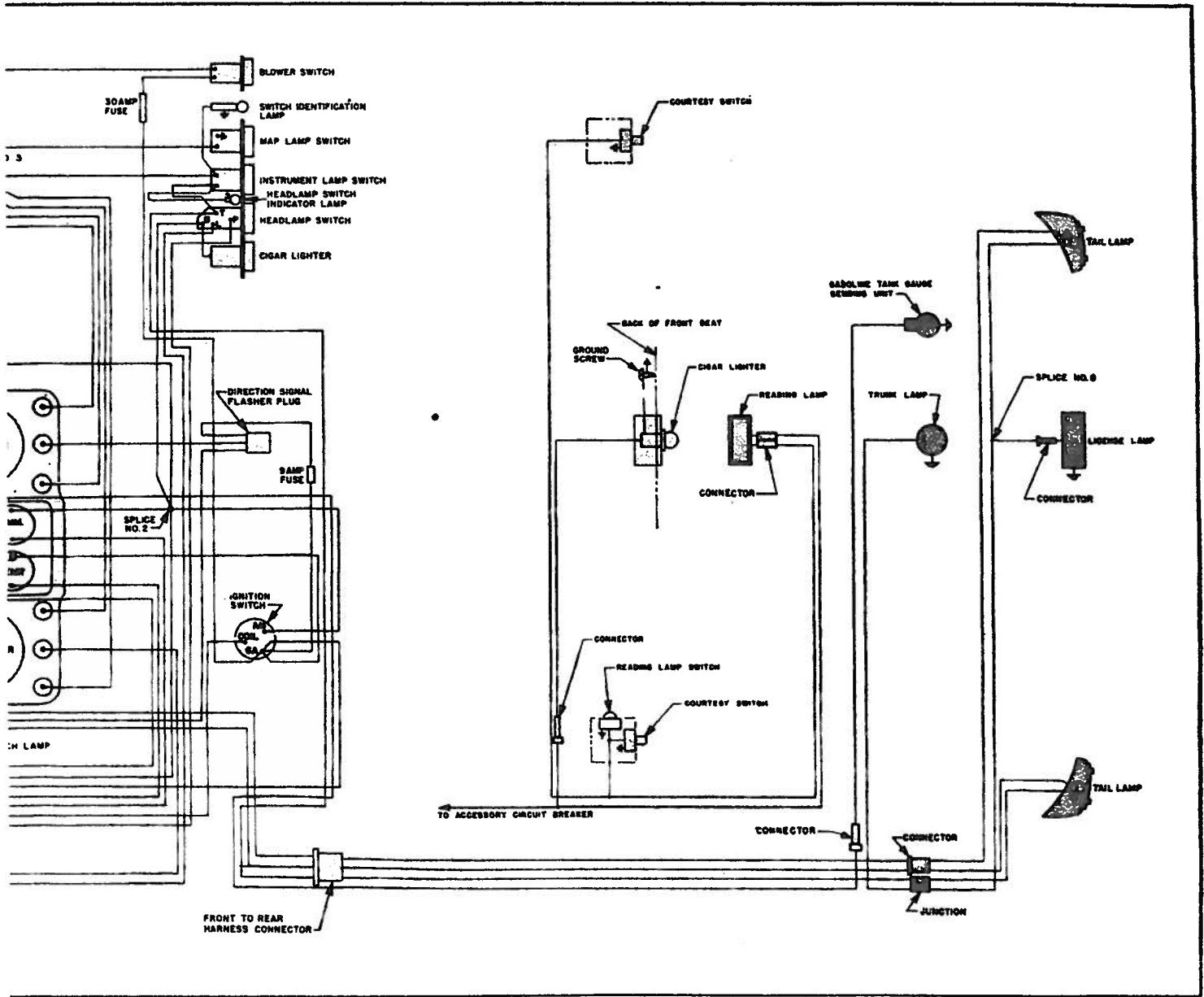
## Series 2301. ALL BODY STYLES



Wiring Diagram—

# WIRING 1949 DE LUXE EIGHT PACKARD

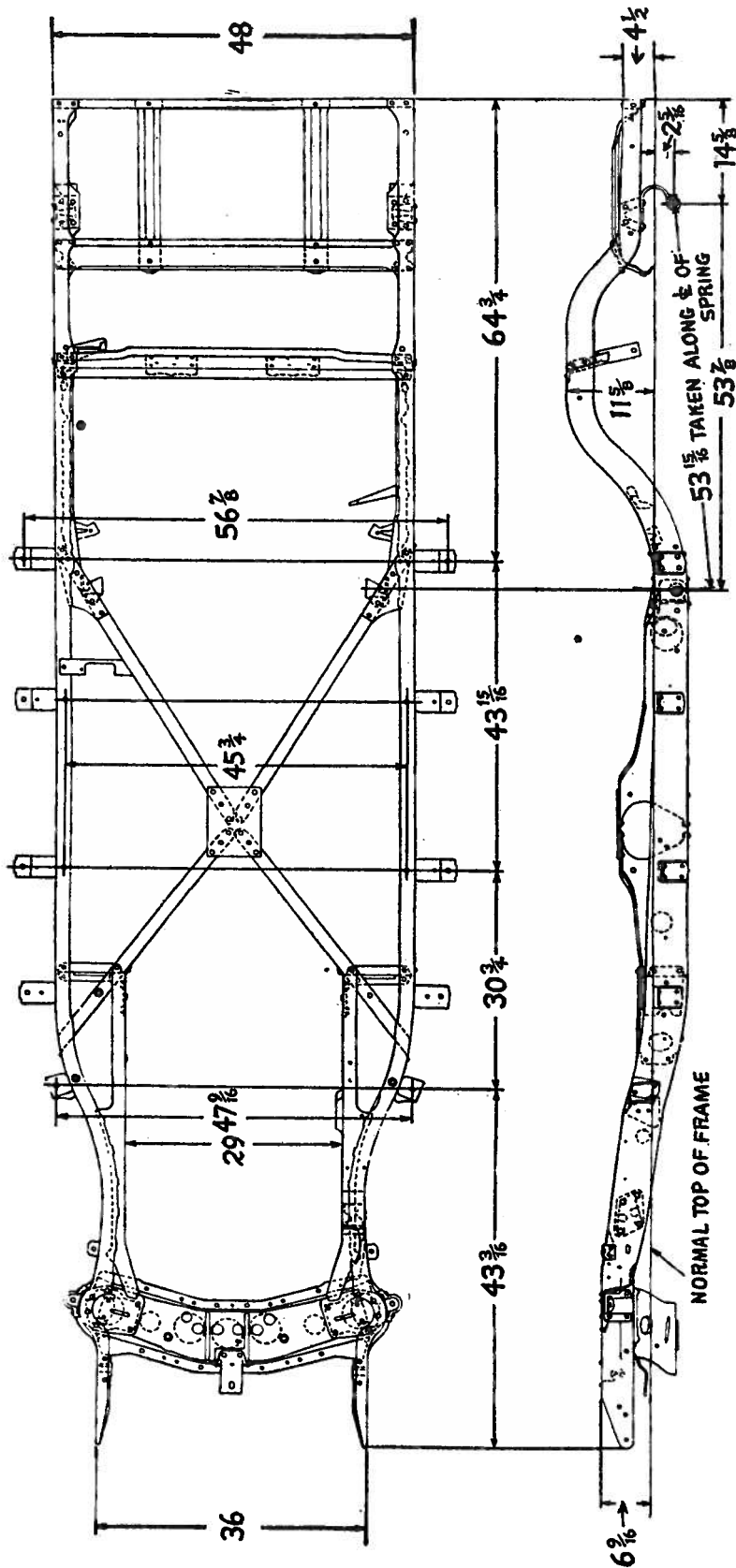
## Series 2301. ALL BODY STYLES





# PACKARD DE LUXE EIGHT 1949 FRAME

Series 2301. ALL BODY STYLES



Frame Dimensions—Series 2301

# FLAT RATE 1949 DE LUXE EIGHT PACKARD

## Series 2301. ALL BODY STYLES

Chilton Job No.	Chilton Labor Price	Chilton Job No.	Chilton Labor Price	Chilton Job No.	Chilton Labor Price	Chilton Job No.	Chilton Labor Price	Chilton Job No.	Chilton Labor Price	Chilton Job No.	Chilton Labor Price	Chilton Job No.	Chilton Labor Price	Chilton Job No.	Chilton Labor Price	Chilton Job No.	Chilton Labor Price		
<b>A</b>		<b>A-continued</b>		<b>A-continued</b>		<b>B-continued</b>		<b>C-continued</b>		<b>D</b>		<b>E-continued</b>		<b>E-continued</b>		<b>F-continued</b>		<b>G</b>	
1	3.50	6	15.00	20	7.20	9	2.50	3	22.60	1	3.50	2	27.00	12	27.00	2	1.00	1	1.00
1a	3.00	7	2.00	20x	12.00	10	2.50	4	2.00	1a	3.00	3	26.60	13	26.60	3	1.00	2	1.00
2	3.00	8	1.50			11	2.50	5	3.00	2	2.50	4	26.60	14	140.00	4	1.00	3	1.00
3	18.50	9	4.00			12	2.00	6	2.00	3	12.00	5	30.00	15		5	1.00	4	1.00
4	18.50	10				13	2.50	7	2.50	4	12.00	6	28.00	16		6	1.00	5	1.00
4a		11	3.00			14	2.00	8	3.00	5	110.00	7	110.00	17		7	1.00	6x	1.00
4b	2.00	12				15	1.50	9		6	110.00	7x	110.00	18		8	1.00	7	1.00
4c	4.50	13						10		7	13.00	8		19		8	1.00	7x	1.00
4d	10.00	14						11	2.50	8	4.00	9	65.00			9	1.00	8	1.00
5	3.00	15						12		9		10	70.00			10	1.00	9	1.00
5a	6.00	16	2.00					13		10		11				11	1.00	10	1.00
5b	4.00	17	1.50					14	2.00	11		12				12	1.00	11	1.00
5c	4.00	18	10.00					15	1.50			13				13	1.00	12	1.00
5d	7.50											14				14	1.00	13	1.00
																		14	1.00

### STEERING GEOMETRY

**CASTER:** 1 1/2 to 1/2 degree negative.

**CAMBER:** 1/4 degree negative to 1/4 degree positive.

**TOE-IN:** Zero to 1/16 inches.

**KING PIN INCLINATION:** 5 degrees 50 minutes.

#### ADJUSTMENT

**CASTER** is controlled by full turns of the upper eccentric pin.

**CAMBER** is controlled by eccentric upper pin and full range is obtained in one-half turn.

**TOE-IN** should be adjusted at both tie-rods to centralize steering.

