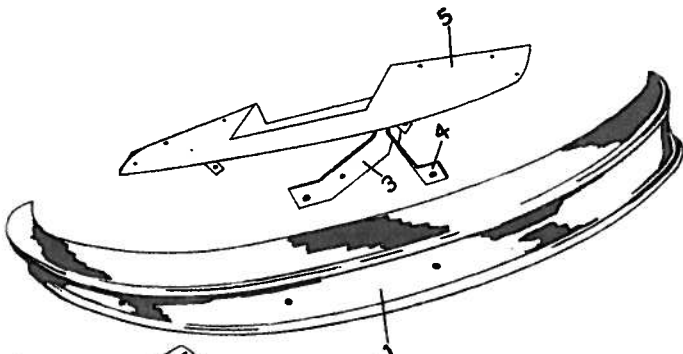


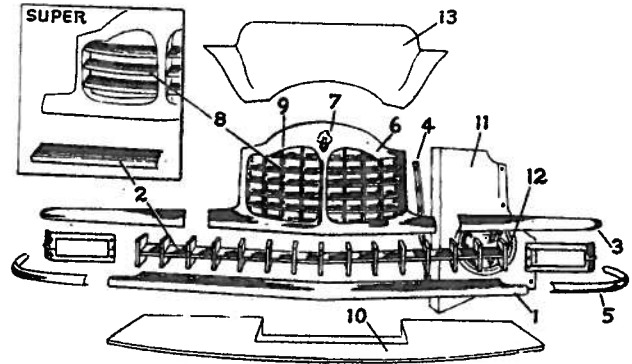
PACKARD SUPER and CUSTOM 1949 BODY PARTS

Series 2302, 2306. ALL BODY STYLES



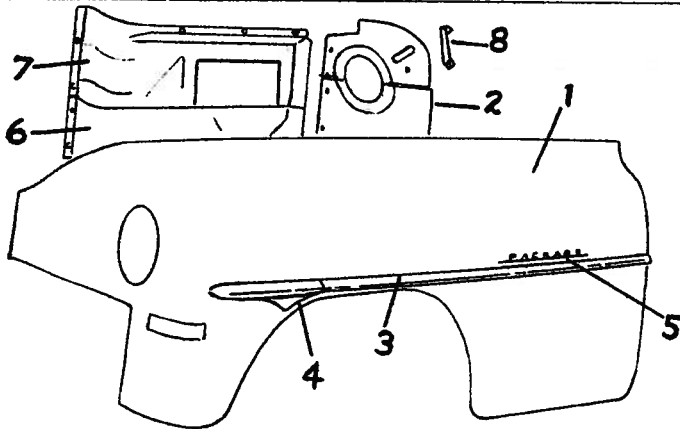
FRONT BUMPER ASSEMBLY

Item Part No.	Description	Price
412782	Bumper, front, 2302	65.00
412783	Bumper, front, 2306	70.00
1 412788	Bar, face	35.00
2 412785	Guard, F., 2302, L.	10.00
4 412787	Guard, F., 2306, L.	15.00
3 412793	Bar, F. sup., in. L.	2.00
4 412795	Bar, F. sup., out. L.	2.00
5 415890	Stone shield	N.P.



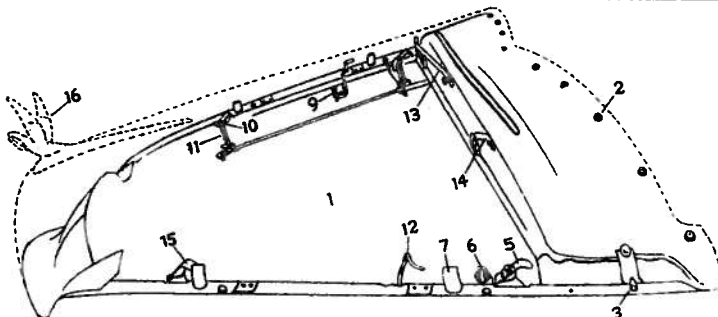
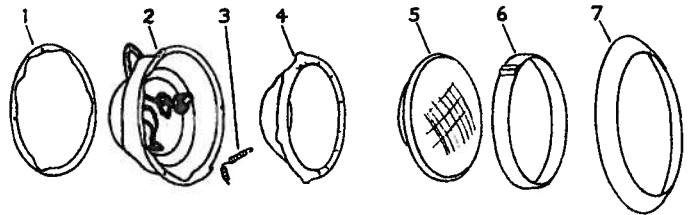
GRILLE ASSEMBLY

Item Part No.	Description	Price	Item Part No.	Description	Price
1 396378	Mold., low., 2352	17.50	8 396701	Fin, up. L., hor., 2352	1.54
1 415237	Mold., low., 2372, 5, 82, 5	15.00	9 396713	Fin, cent. L., vert., 2352	1.82
2 415034	Mold., center ex., 2352	20.00	9 394735	Fin, in. L., vert., 2352	1.82
3 415238	Mold., up. L., 2352	6.00	9 396715	Fin, out. L., vert., 2352	1.82
4 396385	Reinfmt., L., 2352	.80	396719	Retainer, fin assy., 2352	.34
4 415029	Reinfmt, ex., L., 2352	N.P.	396721	Retainer, fin assy., 2352	.34
5 391213	Mold., L., fender side	3.00	399015	Bar, rad. div., hor. L., 2352	6.04
6 396361	Grille, less fins, 2352	33.00	399057	Spacer, rad. grille cent., vert., 2352	.91
6 415240	Grille, less bars, ex., 2352	38.00	399059	Spacer, in. L., 2352	.91
7 391374	Emblem, rad. grille	2.00	399061	Spacer, out. L., 2352	.91
415307	Bar, grille cent., low. L.	2.25	10 415873	Splasher, rad., low., 2352	N.P.
415309	Bar, grille, up. L.	2.25	10 415890	Splasher, rad., low., ex., 2352	N.P.
415318	Retainer, grille bar, L. cent.	.20	375077	Bumper, splasher, low.	.0
415321	Retainer, grille bar, L. out.	.20	11 415345	Splasher, rad. side, L., 2352	6.0
396383	Fin. assy., grille, L., 2352	16.00	12 396446	Screen, air duct	.9
8 396705	Fin, rad., L. cent., hor., 2352	1.85	13 394630	Splasher, rad. top, 2352	4.5
8 396709	Fin, low. L., hor., 2352	1.85	13 415036	Splasher, rad. top, ex., 2352	5.0
8 396707	Fin, L., low. cent., hor., 2352	1.85			



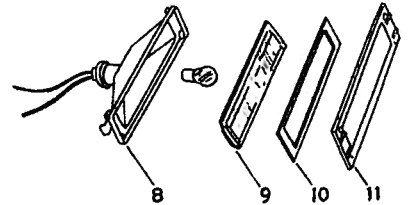
FRONT FENDER ASSEMBLY

Item Part No.	Description	Price	Item Part No.	Description	Price
1 415251	Fender assy.	50.00	5 415670	Plate, F.F. script.	1.25
415982	Seal, F. fender	N.P.	415672	Seal, F.F. script plate stud	.02
372449	Bracket, shield, L.	.41	6 396323	Splasher assy., L.F., low.	5.00
2 415067	Shield, gravel, L.	N.P.	7 407856	Splasher assy., L.F., up.	3.60
8 391197	Brace, shield, L.	.30			
3 413235	Mold., fender side, L.	1.60			
4 413241	Plate, fender side, L.	1.50			



HOOD ASSEMBLY

Item Part No.	Description	Price	Item Part No.	Description	Price
1 415209	Hood assy.	40.00	11 372450	Spring, lock clamp.	.12
2 372174	Bumper, to cowl	.07	12 399453	Handle assy., L.	N.P.
3 378664	Dowel, rear	.20	399458	Knob, lock handle.	.50
391757	Pin, guide	.30	372536	Grommet	.28
5 399530	Clamp-lock, R.R.	1.30	13 396074	Prop	.40
6 399527	Roller, clamp	.30	14 372463	Rest, prop	.35
7 372305	Bracket, L., clamp	.48	15 370413	Catch assy.	.70
391719	Rod, lock clamp	.70	16 PA407949	Ornament assy.	12.00
9 373764	Spring, anti-rat.	.05	415850	Wthstp., on cowl	.45
10 372331	Pin, lock clamp	.16			



HEADLAMP ASSEMBLY

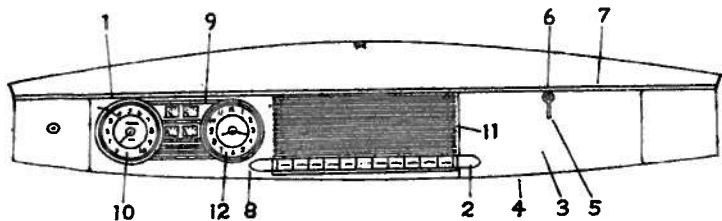
Item Part No.	Description	Price	Item Part No.	Description	Price
393696	Hdimp. assy., L.	15.40	410047	Circuit breaker, hdimp.	1.0
1 371402	Gasket, fender	.28	399564	Bracket assy., ind. light	.7
2 363702	Body assy.	3.00			
5 335528	Bulb, sealed B.	1.30			
4 371404	Mount. assy., bulb.	2.05			
6 354145	Retainer, bulb	1.85			
410044	Cable assy., L.	2.00			
410046	Connector, cable	N.P.			
351167	Junction block assy.	.30			
7 394717	Door, lamp	2.75			
383490	Switch assy., dim.	1.15			
311729	Cap, dim. sw.	.14			
393563	Sw. assy., hdimp.	2.75			

PARKING LAMP ASSEMBLY

Item Part No.	Description	Price
416097	Lamp assy., L.	10.0
8 416128	Body & cable assy.	4.0
416083	Connector, cable	N.P.
11 399329	Door, L. lamp	2.8
399326	Gasket	.7
9 399332	Glass	.7
10 416156	Gasket, glass	.8

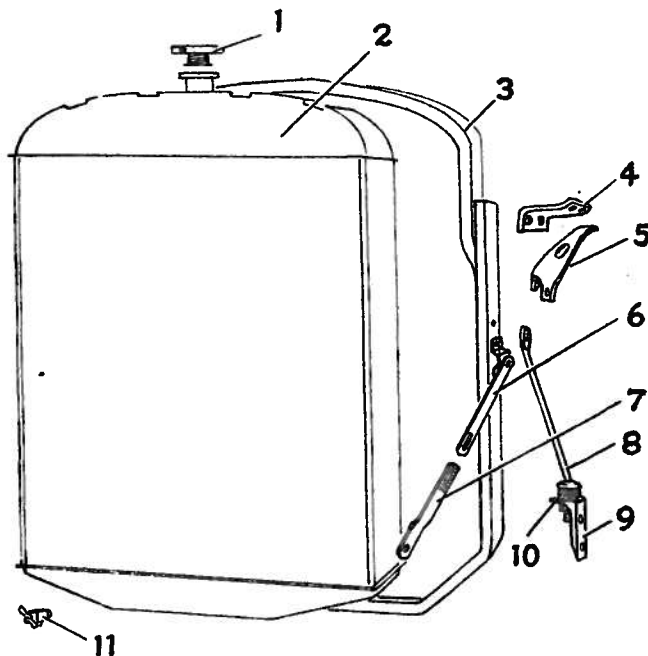
BODY PARTS 1949 SUPER and CUSTOM PACKARD

Series 2302, 2306. ALL BODY STYLES



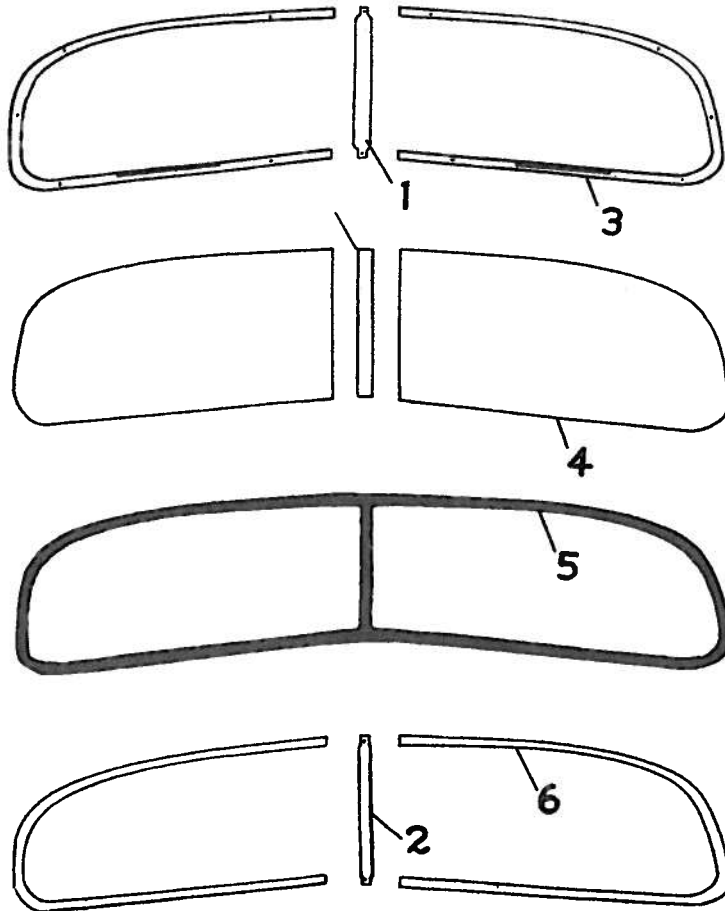
INSTRUMENT PANEL ASSEMBLY

Item	Part No.	Description	Price	Item	Part No.	Description	Price	
1	415290	Panel, less parts	N.P.	7	396486	Mold., glove door, up.	.80	
2	411633	Cover, ash rec.	1.30		416153	Seal, identi. light	N.P.	
3	412931	Trim, center panel	8.00		410599	Mask, inst. cluster dial	1.20	
4	415541	Box assy., glove door	2.00		410539	Case, inst. cluster gauge	.80	
5	412665	Panel assy., glove door	N.P.	8	415347	Panel assy. (less inst.)	N.P.	
6	376199	Hinge assy., glove door	N.P.		412988	Trim, cluster panel	3.75	
7	401398	Adapter, glove door	.50	9	396487	Mold., inst. panel trim, low.	.50	
8	401450	Handle, glove door	1.50		9	396486	Mold., inst. panel trim, up.	.80
9	385521	Spring, anti-rat., glove door	.05		396485	Trim mold., L. end, chrome	.50	
10	385534	Cyl., glove box door	1.75	11	411638	Cover, radio open.	1.50	
11	401434	Latch, glove box door handle	.20	10	410013	Speedometer	12.50	
12	401598	Striker, latch	.10	12	416070	Clock	19.55	
	7	399395	Mold., glove door, low.					



RADIATOR ASSEMBLY

Item	Part No.	Description	Price	
1	377265	Cap	1.40	
2	418395	Core assy., 2302	N.P.	
3	418826	Core assy., 2306	N.P.	
4	412419	Cradle assy.	N.P.	
5	391885	Bracket, L., cradle, 2302	N.P.	
6	391887	Brace, L.		
7	395828	Brace, crad. to F.L.	.70	
8	395822	Bracket, brace sup. L.	.60	
9	403749	Brace, crad. to grille, low.	1.50	
10	403747	Brace, crad. to grille, up.	1.50	
11	202504	Grommet	.15	
	10	362357	Guide	.02
	10	202221	Retainer	.05
	11	378248	Drain cock	.46



WINDSHIELD ASSEMBLY

Item	Part No.	Description	Price	Item	Part No.	Description	Price
	376065	Reinfmt. assy. div.	1.00		415499	Tensioner assy.	1.50
1	380314	Mold. div., in., 2352	3.00		413339	Motor assy. cleaner	10.25
1	415365	Mold. div., in., ex., 2352	.65		415536	Cable assy. cleaner knob	1.25
2	376695	Mold. dv., out.	2.30		399194	Gasket, cleaner	.07
3	374952	Mold. fin., in., 2352	17.25		399087	Knob, cleaner cable	.55
3	413324	Mold. fin., in., ex., 2352	4.00		415909	Spacer, L., 2352, 72, 75	.65
	372018	Plug, fin. mold. defroster	.14		399094	Spacer, pivot shaft, 2382, 85	.30
	995102	Cordwelt, fin. mold.	.60		415912	Gasket, spacer, 2352, 72, 75	.07
6	369435	Rim, fin., L., out.	4.14		415990	Gasket, spacer, 2382, 85	.07
4	370168	Glass	11.05		395820	Tube, to low. hose, 2352	.70
5	370169	Wthstp., glass	6.00		398287	Tube, to low. hose, ex., 2352	.50

WINDSHIELD CLEANER ASSY.

415511	Cable & pivot shaft, L.	2.30
--------	-------------------------	------

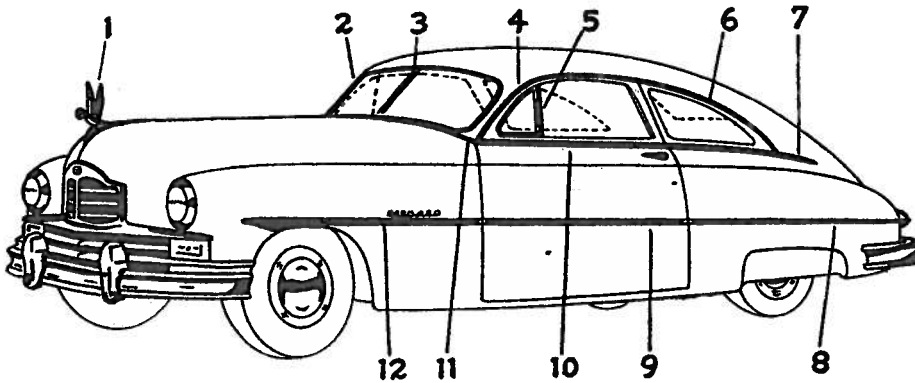
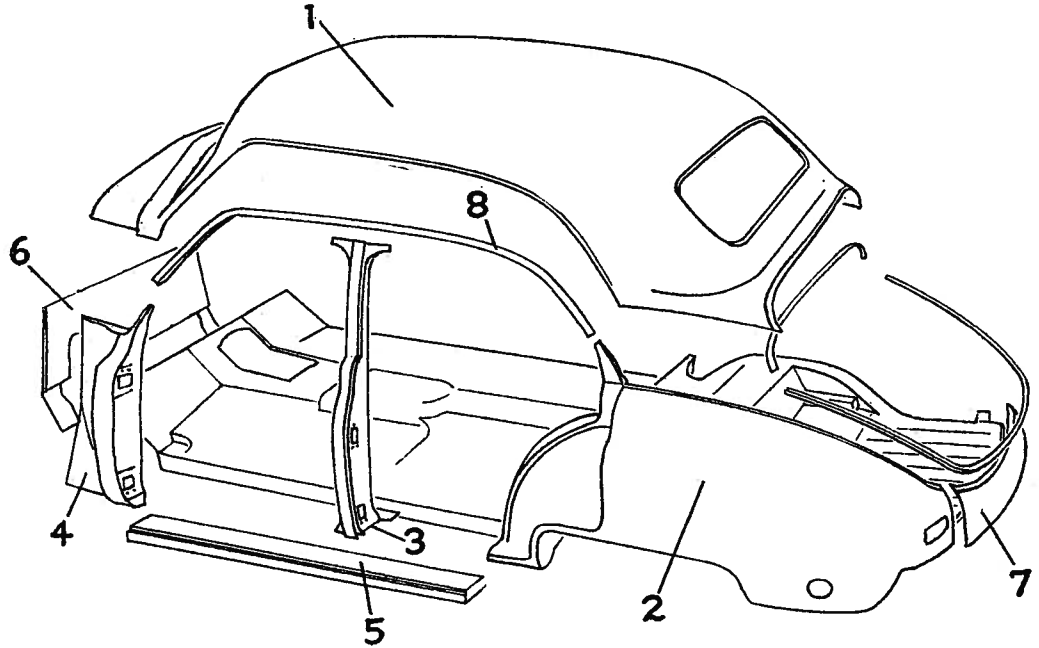
PACKARD SUPER and CUSTOM 1949 BODY PARTS

Series 2302, 2306. ALL BODY STYLES

CAR BODY

2 AND 4 DOOR TYPE

Item	Part No.	Description	Price
3	413017	Pillar, cent. L.	12.00
4	413717	Panel, cowl side, L.	N.P.
6	413883	Panel, dash	N.P.
7	396416	Panel, rear cent., low	N.P.
	385279	Gutter, rear end, up., 2352, 72, 82	1.00
	385290	Gutter, rear end, up., 2375, 85	1.00
	385015	Gutter, side & bot., 2352, 72, 82	1.50
	385016	Gutter, side & bot., 2375, 85	1.50
1	413885	Roof assy., 2352, 72, 82	75.00
1	413697	Roof assy., 2375, 85	N.P.
8	413291	Mold., gutter, L., 2352, 72, 82	N.P.
8	413389	Mold., gutter, L., 2375, 85	N.P.
	396097	Roof rail assy., L., 2352, 72, 82	3.30
	391245	Roof rail assy., L., 2375, 85	2.00
	391651	Reinfmt., roof rail, L., 2352, 72, 82	1.35
	366783	Reinfmt., roof rail, L., 2375, 85	.60
	392607	Panel, rep. floor, rear	9.00
5	391921	Panel assy., side sill, L., 2352, 72, 82	2.75
5	391923	Panel assy., side sill, L., 2375, 85	2.75
2	417171	Fender & whhouse, L., 2352, 72, 82	N.P.
2	417173	Fender & whhouse, L., 2375, 85	N.P.
	403063	Gas tank assy.	13.80

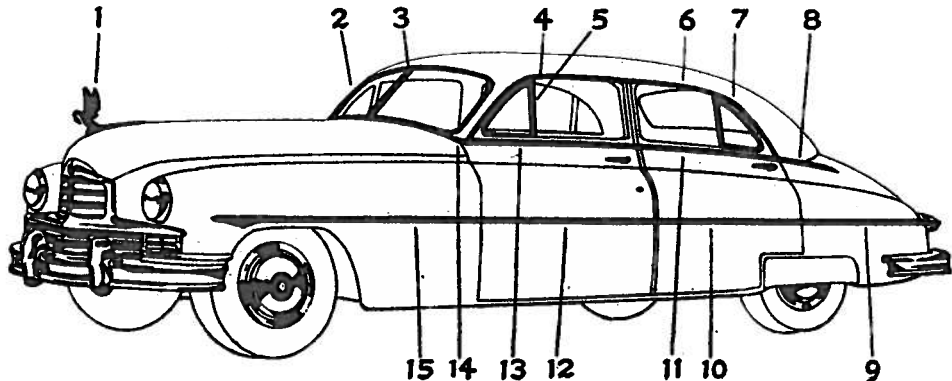


OUTSIDE MOLDINGS—2 DOOR

Item	Part No.	Description	Price
1	PA407949	Ornament assy.	12.00
2	369435	Rim, L., outside fin.	4.14
3	413324	Mold., L. out. div. fin.
4	413645	Mold. assy., L., window fin., front
5	372775	Retainer assy., L., window wing	4.05
6	413649	Mold., L., rear qtr. window fin.
7	413187	Mold., L., rear qtr. belt
8	413221	Mold., L. rear fender	2.25
9	413208	Mold., front door
10	413177	Mold., door belt
11	413247	Mold., L., cowl side belt
12	413235	Mold., L. front fender	1.60

OUTSIDE MOLDINGS—4 DOOR

Item	Part No.	Description	Price
1	PA407949	Ornament assy.	12.00
2	369435	Rim, L., outside fin.	4.14
3	376895	Mold., out. div. fin.	2.30
4	413643	Mold. assy., L., window fin., front
5	372775	Retainer assy., L., window wing	4.05
6	413647	Mold. assy., L., window fin., rear
7	380499	Retainer assy., L.	3.60
8	413185	Mold., L. rear qtr. belt
9	413217	Mold., L. rear fender
10	413210	Mold., rear door
11	413181	Mold., L. rear door belt
12	413208	Mold., front door
13	413175	Mold., L. front door belt
14	413247	Mold., L., cowl side belt
15	413235	Mold., L. front fender	1.60

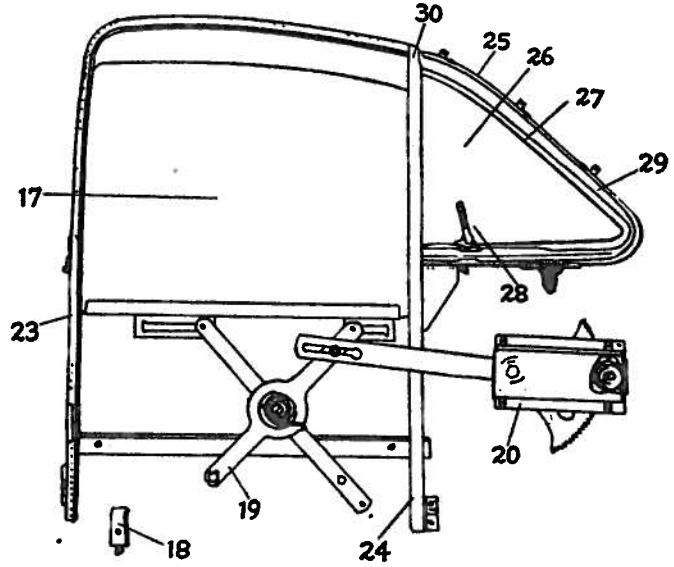


BODY PARTS 1949 SUPER and CUSTOM PACKARD

Series 2302, 2306. ALL BODY STYLES

FRONT DOOR ASSEMBLY 2 AND 4 DOOR TYPE

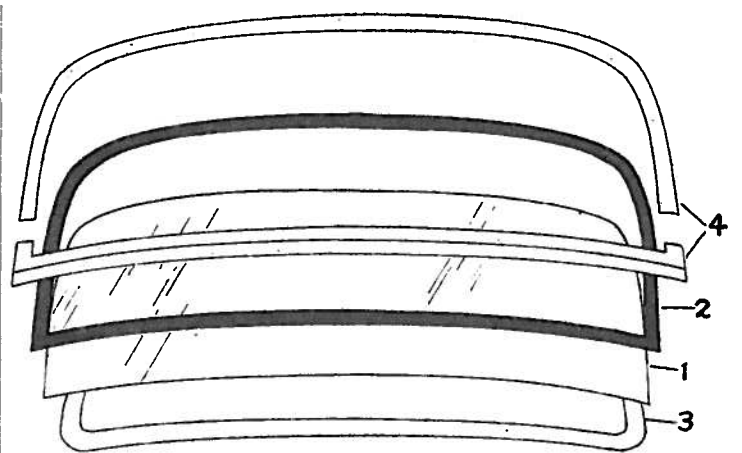
Item Part No.	Description	Price	Item Part No.	Description	Price
376889	Seal, window, in. L., 2352, 72, 82	.70	396481	Handle, reg., 2352..	1.90
375153	Seal, window, in. L., 2375, 85	.90	396480	Handle, reg., ex., 2352	1.00
376583	Seal, window, out. L., 2352, 72, 82	.70	405332	Plate, reg. escut., in., 2352	.20
375157	Seal, window, out. L., 2375, 85	.90	405301	Plate, reg. escut., out., 2352	.20
413643	Mold. assy., L., 2372, 82	6.00	399096	Plate, reg. escut., ex., 2352	.50
417365	Mold. assy., L., 2352	N.P.	405373	Spring, plate, 2352..	.01
413645	Mold. assy., 2375, 85	N.P.	133264	Spring, plate, ex., 2352	.07
417259	Trim strip, window, 2352	N.P.	388917	Rim, window fin., L., 2352	1.30
417016	Trim strip, 2372, 82	N.P.	413867	Rim, window fin., L., 2372, 82	1.00
417019	Trim strip, L., 2375, 85	N.P.	413871	Rim, window fin., L., 2375, 85	N.P.
417263	Plate, trim strip, L.R. & R.F., 2352	N.P.	385695	Runway & ret., L., 2375, 85	2.30
415875	Plate, trim strip, L.R. & R.F., ex., 2352	N.P.	23 376567	Runway, rear, 2352, 72	3.20
17 369651	Glass, 2352, 72, 82..	4.45	24 372837	Runway, front, 2352, 72, 82	1.40
17 374654	Glass, 2375, 85	6.25	24 385690	Runway, front, 2375, 85	.80
18 411591	Stop, window glass	.14	380555	Retainer, runway, L., 2352, 72, 82, rear	.60
19 370425	Lifter assy., L., 2352, 72, 82	.80	372053	Retainer, runway, L., 2352, 72, 82, front	2.90
19 385685	Lifter assy., L., 2375, 85	2.75	385689	Retainer, runway, L., 2375, 85, front	2.70
314805	Cushion, lifter, .070 x 1 3/4"	.12	25 405367	Vent. assy., L., 2352, 72, 82	14.00
20 405393	Regitr. assy., L., 2352	2.00	25 405365	Vent. assy., L., 2375, 85	15.00
20 370271	Regitr. assy., L., 2372, 82	2.05	26 370166	Glass, vent.	2.00
20 383269	Regitr. assy., L., 2375, 85	1.50	311439	Cushion, vent., .070 x 1 1/4"	N.P.
372349	Arm & pivot, rgitr., L.	1.40	353194	Cushion, vent., .080 x 1 1/4"	N.P.
391939	Retainer assy., roller brkt., 2352, 72	.70	27 376633	Glass & ret., L.	5.75
370420	Plate, reg. roller guide	.28			



Item Part No.	Description	Price	Item Part No.	Description	Price
372775	Ret. assy, L. vent.	4.05	29 370401	Wthstp., L. vent., F.	1.50
372959	Striker plate, vent.	.28	30 372027	Wthstp., L. vent., R.	.80
28 396571	Handle, L. vent.	.70	380497	Retain. assy., vent. wthstp., L., 2352, 72, 82..	4.60
372989	Shaft, vent. handle	.35	392807	Retain. assy., vent. wthstp., L., 2375, 85	3.50
372843	Pivot, up. L., female	N.P.			
380430	Washer, low. pivot sprg.	.03			
372703	Washer, low. pivot sprg.	.12			

HYDRAULIC WINDOW ASSEMBLY FRONT DOOR Not illustrated

Item Part No.	Description	Price
385099	Cyl. & regitr., L.	15.00
391767	Cyl. assy.	9.00
416169	Cable assy., L.	N.P.
391765	Clip, cyl. to reg.	.06
409325	Hose assy.	N.P.
396966	Conduit, hose	1.80
396982	Clamp, hose conduit	N.P.
399305	Tube assy., L., cowl side	.50
409599	Tube assy., cyl. to cowl side	.40
396081	Regitr. assy., L.	5.00

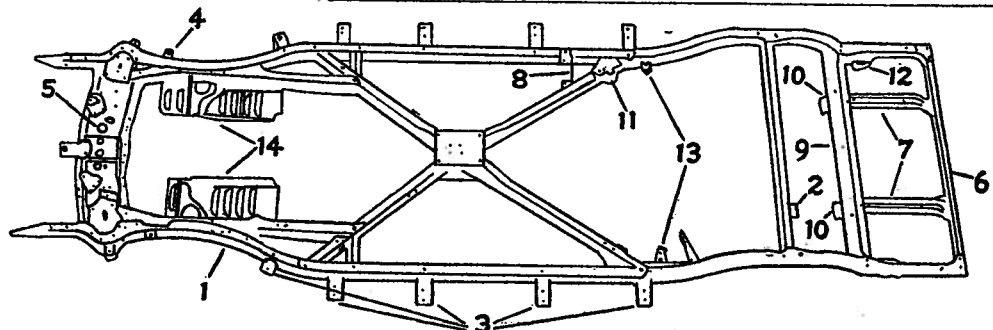


REAR WINDOW ASSEMBLY

Item Part No.	Description	Price	Item Part No.	Description	Price
1 413994	Glass, 2352, 72, 82..	17.00	3 413334	Mold., fin., 2375, 85.	N.P.
1 374222	Glass, 2375, 85	20.15	4 417255	Rim, fin., up., 2352, 72, 82	1.50
2 417028	Wthstp., glass, 2352, 72, 82	3.00	4 417251	Rim, fin., low., 2352, 72, 82	N.P.
2 374223	Wthstp., glass, 2375, 85	2.90	4 374906	Rim, fin., 2375, 85	4.15

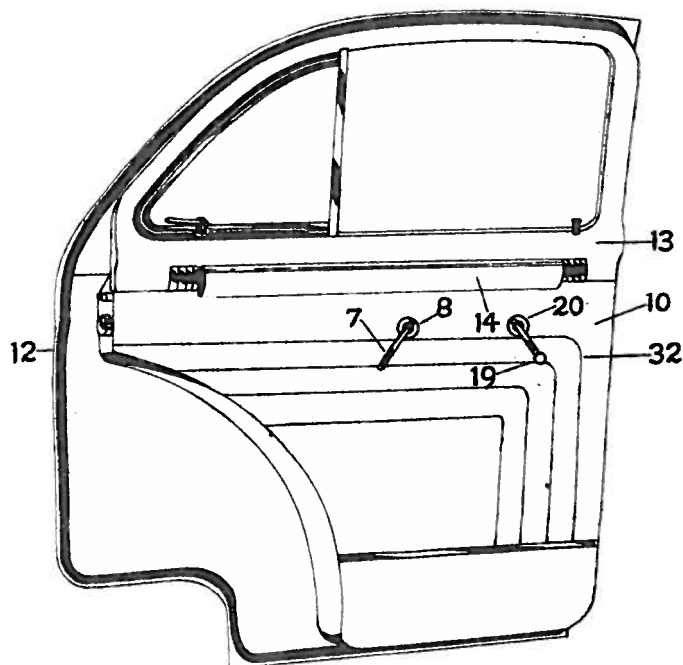
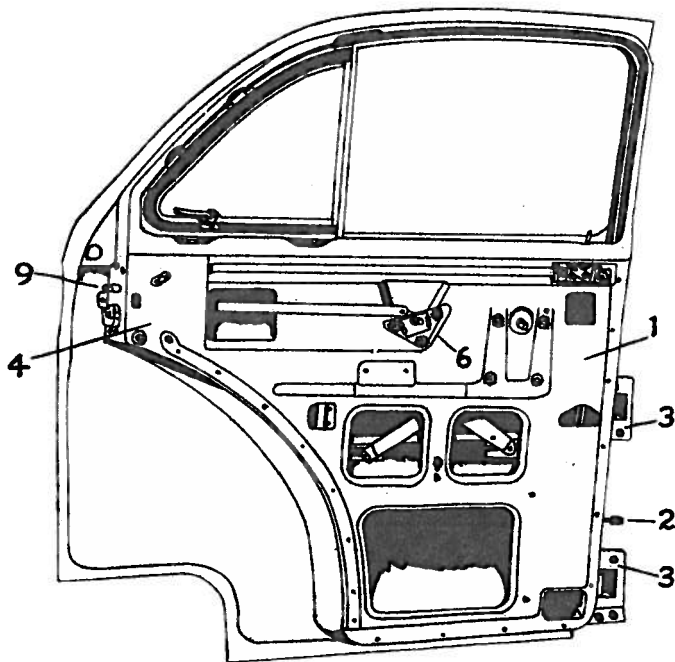
FRAME ASSEMBLY

Item Part No.	Description	Price
1 412334	Frame	85.00
2 418366	Bracket, stab. lat.	N.P.
3 371854	Bracket, #1	.50
3 371853	Bracket, #2	.70
3 371852	Bracket, #3 & 4	.70
3 373116	Bracket, L., #3	.85
4 341937	Bracket, front hose	.08
4 371179	Bracket, front hose	.41
5 389586	Channel assy., F., 2302	20.00
5 389587	Channel assy., F., 2306	20.00
6 371037	Support, L., tank	1.00
7 373018	Channel, tank sup.	3.45
8 371919	Bracket, muf. sup., 2302	.30
8 373851	Bracket, muf. sup., 2306	.60
9 367024	Channel, rear	N.P.
10 348573	Bracket, shock, rear	.45
11 367935	Bracket, F.L., rear sprg.	1.40
12 367202	Bracket, L., rear sprg. shackle	2.75
13 373220	Bracket, L.R. brake cable	N.P.
14 377515	Splasher, L., frame to case	2.00



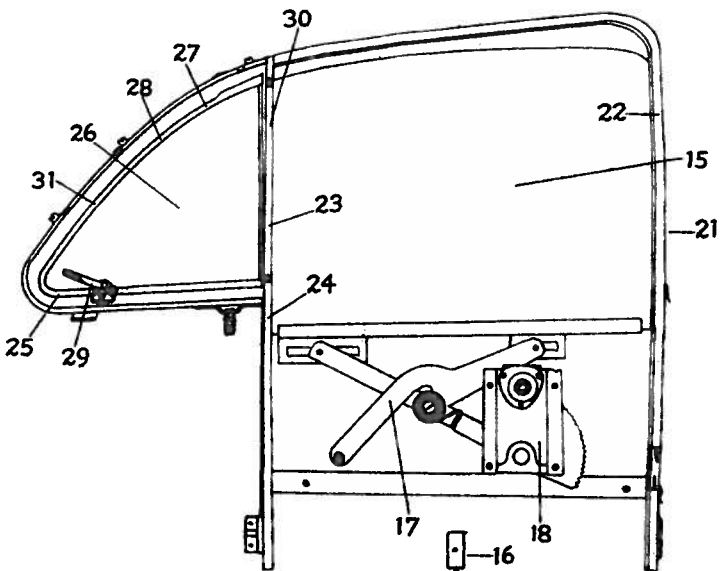
PACKARD SUPER and CUSTOM 1949 BODY PARTS

Series 2302, 2306. ALL BODY STYLES



REAR DOOR ASSEMBLY

Item	Part No.	Description	Price	Item	Part No.	Description	Price
1	413791	Door Assy., L. (untrim.), 2352, 72, 82	33.00				
	411531	Panel, rep., out. L.	10.20				
	413210	Mold., bottom, out.	1.50				
	372341	Bumper	.14				
2	372190	Check arm Assy.	.41				
	370405	Bracket, check arm	.41				
	370406	Retainer Assy., chk. arm	.48				
3	391473	Hinge Assy., L., low	1.80				
3	391355	Hinge Assy., L., up	1.70				
	372002	Pin, hinge	.18				
4	396067	Lock Assy., L., 2352	10.00				
4	396065	Lock Assy., L., ex., 2352	3.00				
	401373	Handle, out. L.	3.50				
	401444	Gasket, handle, out.	.03				
	391559	Control Assy., lock rod	.90				
5	399712	Knob, lock rod	.10				
6	405385	Remote control, L., 2352	.90				
6	396073	Remote control, ex. L., 2352	.80				
7	396478	Handle, R.C., in.	.90				
9	399203	Striker, lock, L., 2352	2.00				
9	399141	Striker, lock, L., ex., 2352	.40				
32	406503	Mold., trim panel, low, 2352	.40				
32	414338	Mold., trim panel, low, 2352	N.P.				
32	406503	Mold., trim panel, low, 2372, 82	.40				
32	414331	Mold., trim panel, up, L., 2352	N.P.				
32	406505	Mold., trim panel, up, L., 2372	N.P.				
10	414305	Panel, trim fin., 2352	N.P.				
11	391603	Wthstp., L., hinge side	2.00				
11	398245	Wthstp., L., lock side & up	1.50				
11	391553	Wthstp., L., low	2.00				
12	252947	Windcord Assy., L., 376725	1.70				
	376693	Seal, dust, L., in.	.90				
	376693	Seal, dust, L., out.	.60				
13	417367	Mold., wind. fin., L., 2352	N.P.				
13	413647	Mold., wind. fin., L., 2372, 82	N.P.				
14	417260	Trim strip, 2352	N.P.				
14	417014	Trim strip, 2372, 82	N.P.				
	417263	Plate, trim strip, L.R. & R.F., 2352	N.P.				
	415675	Plate, trim strip, L.R. & R.F., ex., 2352	N.P.				
15	370041	Glass, window	4.45				
16	411591	Stop, glass	.14				
17	370437	Lifter Assy., L.	.85				
	314805	Cushion, .070 x 1 1/2"	.12				
18	405395	Regltr. Assy., L., 2352	2.80				
18	370273	Regltr. Assy., L., ex., 2352	2.70				
18	396081	Regltr., hyd., L., 2352, 72	5.00				
19	396481	Handle, reg., 2352	1.90				
19	396480	Handle, reg., ex., 2352	1.00				
20	405332	Escutcheon, reg. handle, in., 2352	.20				
20	405301	Escutcheon, reg. handle, out., 2352	.20				
20	399096	Escutcheon, reg. handle, ex., 2352	.50				
	405373	Spring, escutcheon plate, 2352	.01				
	133284	Spring, escutcheon plate, ex., 2352	.07				
21	376601	Runway, L. wind., F.	2.00				
	372666	Clip, runway, rear	.03				
22	380554	Retainer, L., runway, F.	.60				
24	372638	Runway, wind., rear	1.75				
23	376271	Retainer, L. runway, rear	4.15				
25	405399	Vent. Assy., L.	14.00				
	413639	Deflector, vent., 2352	N.P.				
	413637	Deflector, vent., 2372, 82	N.P.				
	372918	Grommet, vent., low	.14				
	372921	Grommet, vent., L., up	.14				
	372797	Bracket, vent. deflector	1.40				
26	370396	Glass, vent.	2.00				
27	376635	Glass & ret., L. vent.	5.75				
28	372781	Retainer, L., vent. glass	4.15				
29	396571	Handle, vent.	.70				
	372999	Shaft, vent. handle	.35				
	372959	Plate, vent. striker	.28				
30	372037	Wthstp., L. vent., F.	.46				
31	370402	Wthstp., L. vent., R.	1.50				
	380499	Retainer, L. wthstp.	3.80				



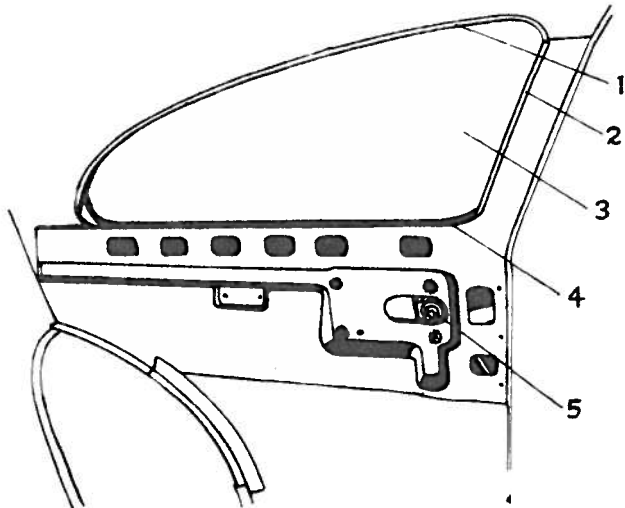
HYDRAULIC REAR DOOR WINDOW

Not illustrated

Part No.	Description	Price
385099	Cyl. & regltr., L.	15.00
391767	Cyl. Assy.	9.00
391765	Clip, cyl. to reg.	.06
411055	Hose Assy.	3.50
409324	Conduit, cyl. hose	N.P.
396862	Clamp, hose conduit	N.P.
396081	Regltr., L.	5.00

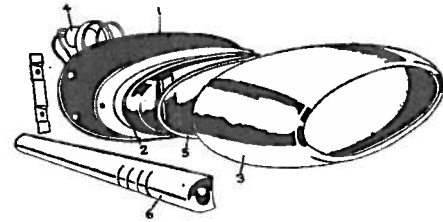
BODY PARTS 1949 SUPER and CUSTOM PACKARD

Series 2302, 2306. ALL BODY STYLES



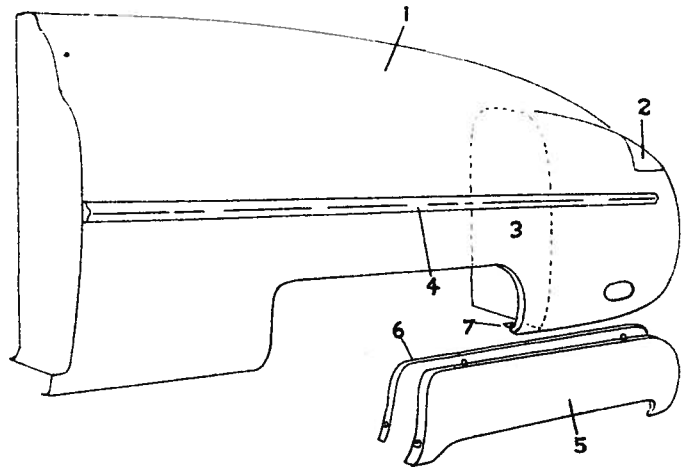
REAR QUARTER WINDOW ASSEMBLY

Item Part No.	Description	Price	Item Part No.	Description	Price
375031	Seal, dust, out. L., 2375, 85	1.15	396480	Handle, registr.	1.00
374403	Seal, dust, in. L.	1.15	399096	Plate, escutcheon	.30
1 413849	Mold. assy., L., fin.	N.P.	133264	Spring, escutcheon plate	.07
2 417015	Trim strip, fin. mold.	N.P.	375027	Runway assy., L.F., low.	.60
415675	End plate, trim strip, L.	N.P.	375025	Runway assy., L., up & rear	2.30
4 374223	Wthstp., glass, low.	N.P.	385353	Retainer, runway, L.F.	.90
3 374883	Glass	6.65	385355	Retainer, runway, L.R.	.90
374317	Lifter assy., L.	1.15			
5 374425	Registr. assy., L.	4.85			



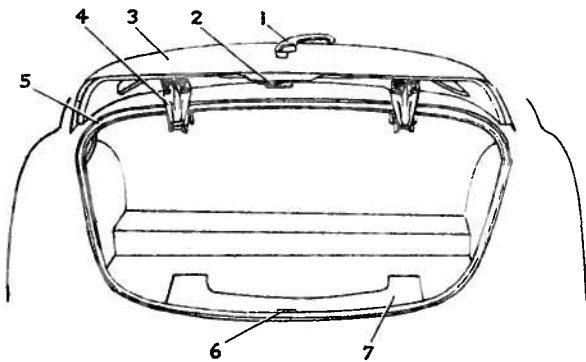
REAR LAMP ASSEMBLY

Item Part No.	Description	Price	Item Part No.	Description	Price
416045	Tail & stop light assy., L.	7.50	6 416048	Extension mold., L.	2.50
1 416071	Gasket, L., body	.40	416006	Button, exten. ref.	N.P.
413401	Reinfmt., fender	.25	413453	Retainer, exten.	N.P.
2 410619	Body, in. T.L.	N.P.	DIRECTIONAL LAMP		
3 410616	Body, out. L.T.L.	N.P.	416023	Switch & cable	5.00
4 410624	Cable & socket, L.	N.P.	416069	Flasher	1.50
410625	Seal, cable to body	N.P.	416051	Connector, flasher	.20
5 410621	Glass	1.00	416058	Bracket, connector	.10
410622	Gasket, glass	.30	416064	Spacer, flasher con.	N.P.



REAR FENDER ASSEMBLY

Item Part No.	Description	Price	Item Part No.	Description	Price
1 417171	Fender & whhouse, L., 2352, 72, 82	N.P.	3 391259	Gravel shield, R.F.	1.30
1 417173	Fender & whhouse, L., 2375, 85	N.P.	4 413217	Mold., R.F. bottom, 2352, 72, 82	1.25
413281	Panel, rep., L., 2375, 85	N.P.	4 413221	Mold., R.F. bottom, 2375, 85	2.25
2 396352	Lid, R.F., gas filler	1.20	5 411481	Shroud assy., L., rear, F.	7.50
357434	Bumper, filler lid	.07	6 399897	Anti-squeak, shroud	.30
391145	Pin, filler lid	.06	7 399659	Bracket, L., shroud	.16
357433	Spring, front filler lid	.14	7 399941	Bracket, L., fender	.90
359625	Spring, rear filler lid	.14			



DECK LIDS

Item Part No.	Description	Price	Item Part No.	Description	Price
7 397118	Insulation, trunk floor, ex., 2352	3.00	1 396641	Handle assy.	3.00
3 396654	Lid assy., 2352, 72, 82	27.00	399137	Gasket, handle	.10
3 396652	Lid assy., 2375, 85	18.00	6 372575	Striker, lid lock	.60
4 385326	Hinge assy., 2352, 72, 82	3.50	6 392621	Bracket, striker sup.	1.00
4 385327	Hinge assy., 2375, 85	3.50	6 372493	Plate, striker	.09
2 372343	Lock assy., lid	2.75	396697	Script plate, lid	2.75
410435	Cyl., uncut, lid lock	.50	5 380263	Wthstp., lid, 2352, 72, 82	4.15
396924	Cyl. & case, lid lock	1.10	5 385296	Wthstp., lid, 2375, 85	6.95
405716	Gasket, cyl.	.02			

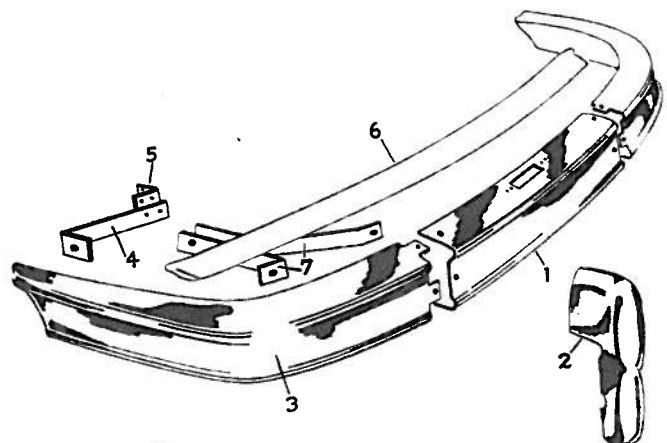
LICENSE LIGHT ASSEMBLY

Not illustrated

Part No.	Description	Price
403862	Light assy.	4.00
389287	Gasket	.30
371692	Door	2.10
371693	Glass	.80
335855	Gasket	.06
403861	Body & socket	2.00
410241	Cable	.40

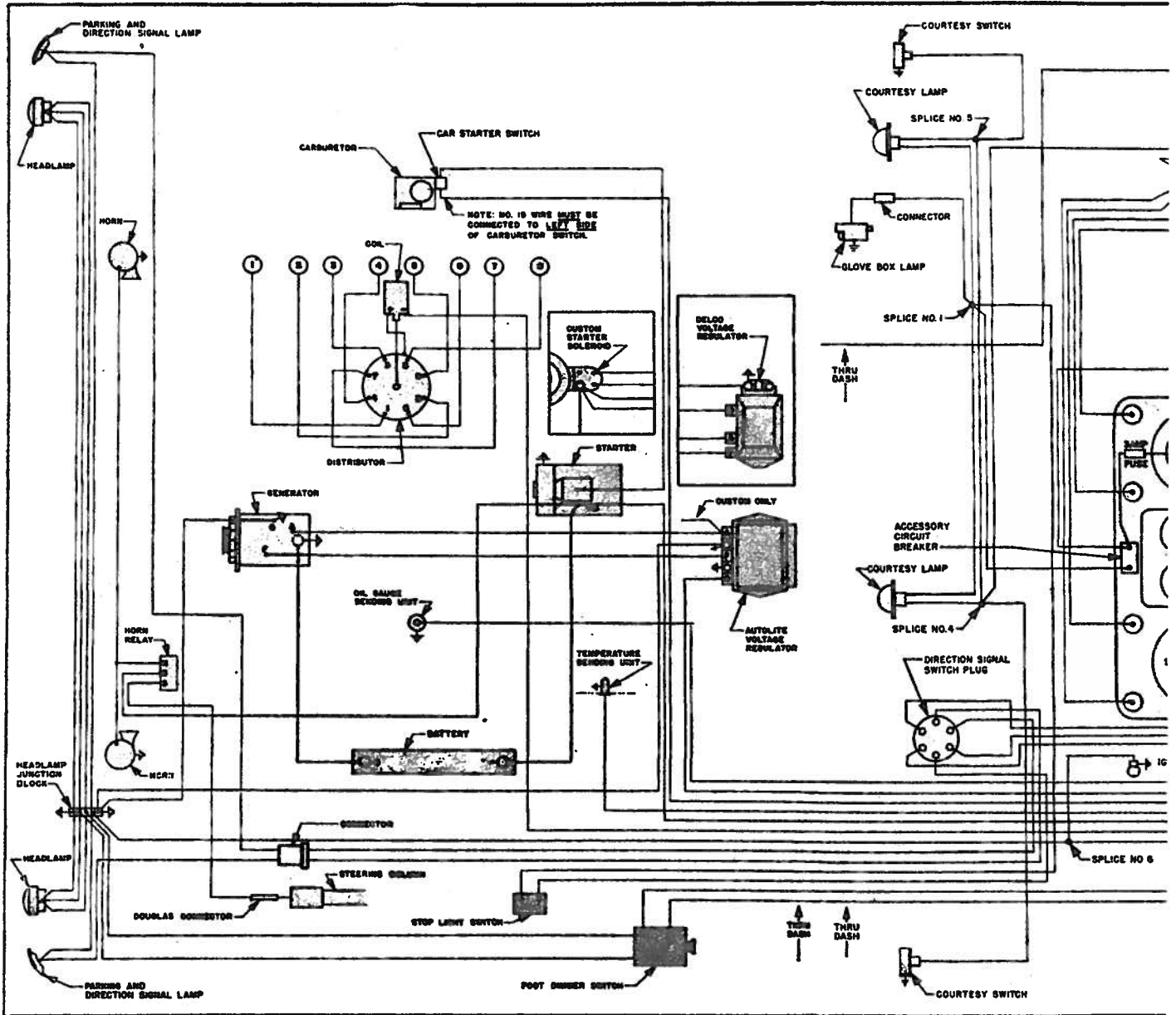
REAR BUMPER ASSEMBLY

Item Part No.	Description	Price
412868	Bumper assy., 2302	80.00
419307	Bumper assy., 2306	75.00
1 395346	Bar, face	24.20
2 412785	Guard, L.	N.P.
3 395548	Guard, L., fender	33.00
4 395568	Bar, R.F. guard sup.	1.65
5 403012	Bracket, bar to frame	.30
6 401839	Stone shield	4.00
7 418948	Bar, sup., in. L., 2306	1.80
7 418948	Bar, sup., out. L., 2306	1.50



PACKARD SUPER and CUSTOM 1949 WIRING

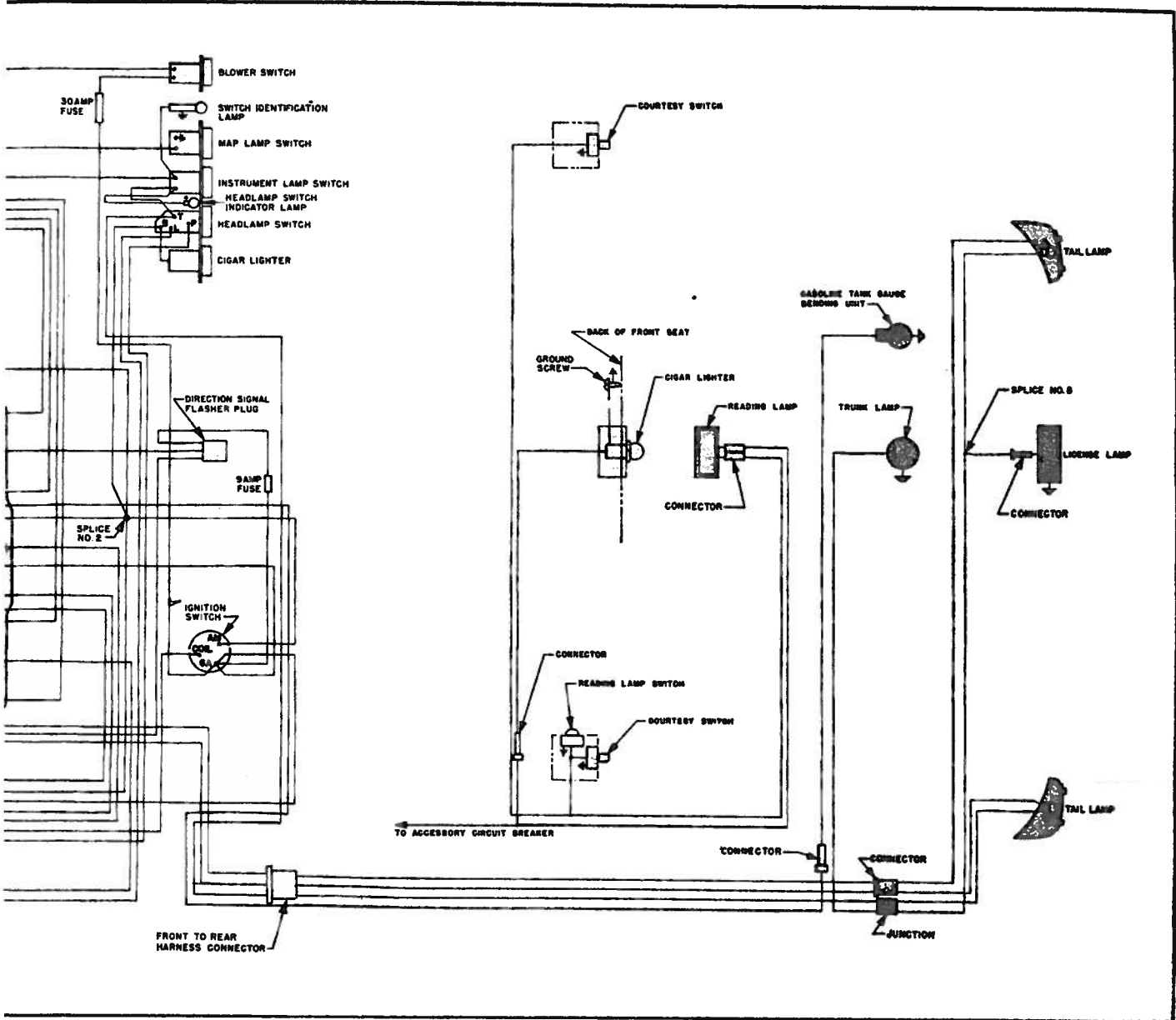
Series 2302, 2306. ALL BODY STYLES



Wiring Diagram

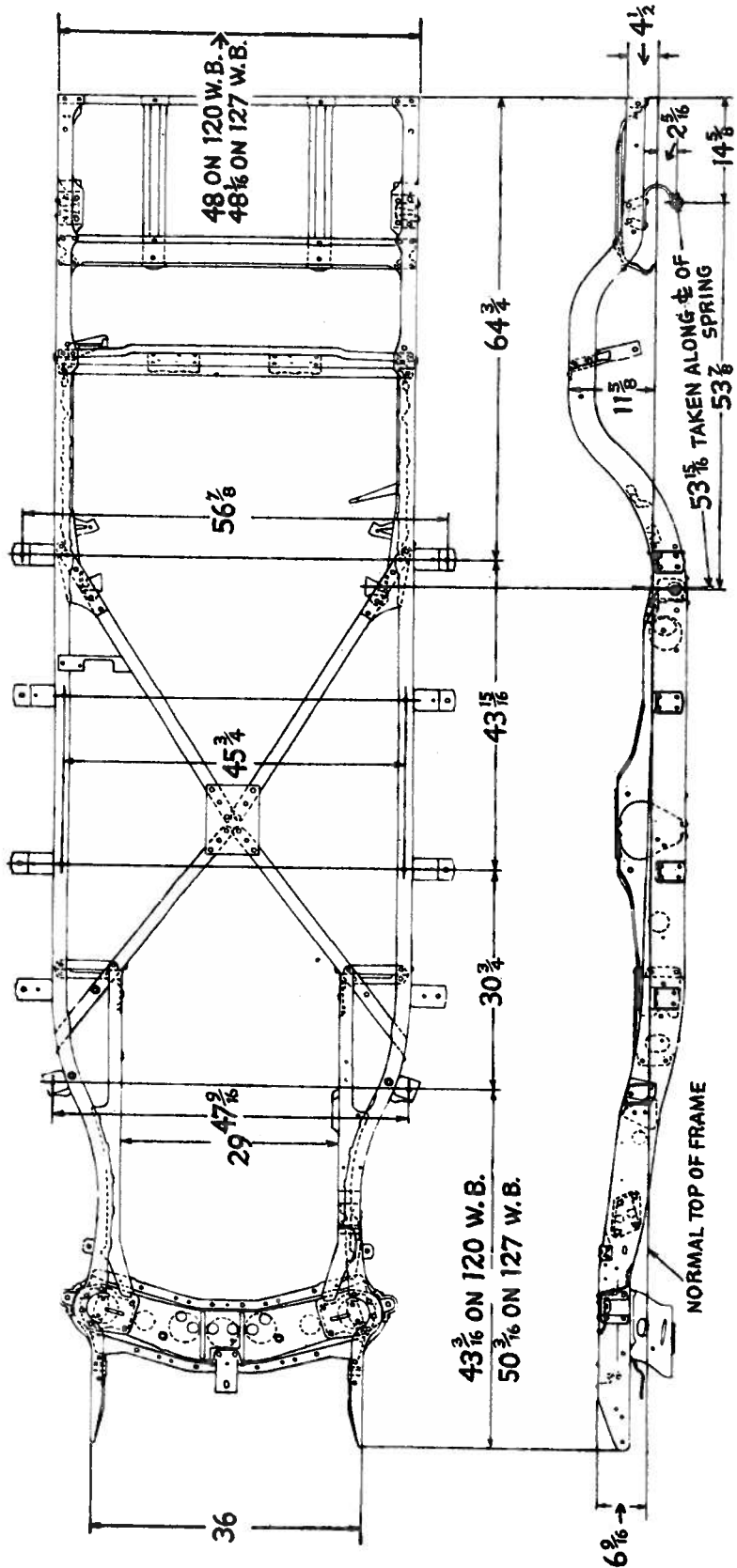
WIRING 1949 SUPER and CUSTOM PACKARD

Series 2302, 2306. ALL BODY STYLES



PACKARD SUPER and CUSTOM 1949 FRAME

Series 2302, 2306. ALL BODY STYLES



Frame Dimensions—Series 2302, 2306

FLAT RATE 1949 SUPER and CUSTOM PACKARD Series 2302, 2306. ALL BODY STYLES

Chilton Job No.	Chilton Labor Price	Chilton Job No.	Chilton Labor Price	Chilton Job No.	Chilton Labor Price	Chilton Job No.	Chilton Labor Price	Chilton Job No.	Chilton Labor Price	Chilton Job No.	Chilton Labor Price	Chilton Job No.	Chilton Labor Price	Chilton Job No.	Chilton Labor Price	Chilton Job No.	Chilton Labor Price		
A		A-continued		A-continued		B-continued		C-continued		D		E-continued		E-continued		F-continued		G	
1	3.50	6	15.00	29	7.20	9		3	22.60	1	3.50	2	27.00	12		2		1	
1a		7	2.00	20x	12.00	10		4	2.00	1a	3.00	3	28.60	13		3		2	
2	3.00	8	1.50			11	2.50	5	3.00	2	2.50	4	28.60	14	140.00	4		3	
3		9	4.00			12		6	2.00	3		5	30.00	15		5		5	
4	18.50	10		1	7.00	13		7	2.50	4	12.00	6	28.00	16		6		7	
4a		11	3.00	1a	6.00	14	2.00	8	3.00	7		7		17		7		7x	
4b	2.00	12		2	15.50	15	1.50	9		7x	110.00	8	110.00	18	20.00	8		8	
4c	4.50	13		3	22.60			10		19	13.00	8		19	12.00	9		9	
5	10.00	14		4	2.00			11	2.50	20	4.00	9	65.00			10		10	
5a	3.00	15		5	3.50			12				9x	70.00			11		11	
5b	6.00	16	2.00	6	1.50	1	7.00	13				10				12		12	
5c	4.00	17	1.50	7	2.50	1a	6.00	14	2.00			11				13		13	
5d	7.50	18	10.00	8	3.00	2	15.00	15	1.50	1	110.00	10				14		14	
												11				1a			

STEERING GEOMETRY

CASTER: Series 2302, 1 1/2 to 1/2 degree negative, Series 2306, 2 1/2 to 1 1/2 degree negative.

CAMBER: 1/4 degree negative to 1/4 degree positive.

TOE-IN: Zero to 1/16 inches.

KING PIN INCLINATION: 5 degrees 50 minutes.

ADJUSTMENT

CASTER is controlled by full turns of the upper eccentric pin.

CAMBER is controlled by eccentric upper pin and full range is obtained in one-half turn.

TOE-IN should be adjusted at both tie-rods to centralize steering.

