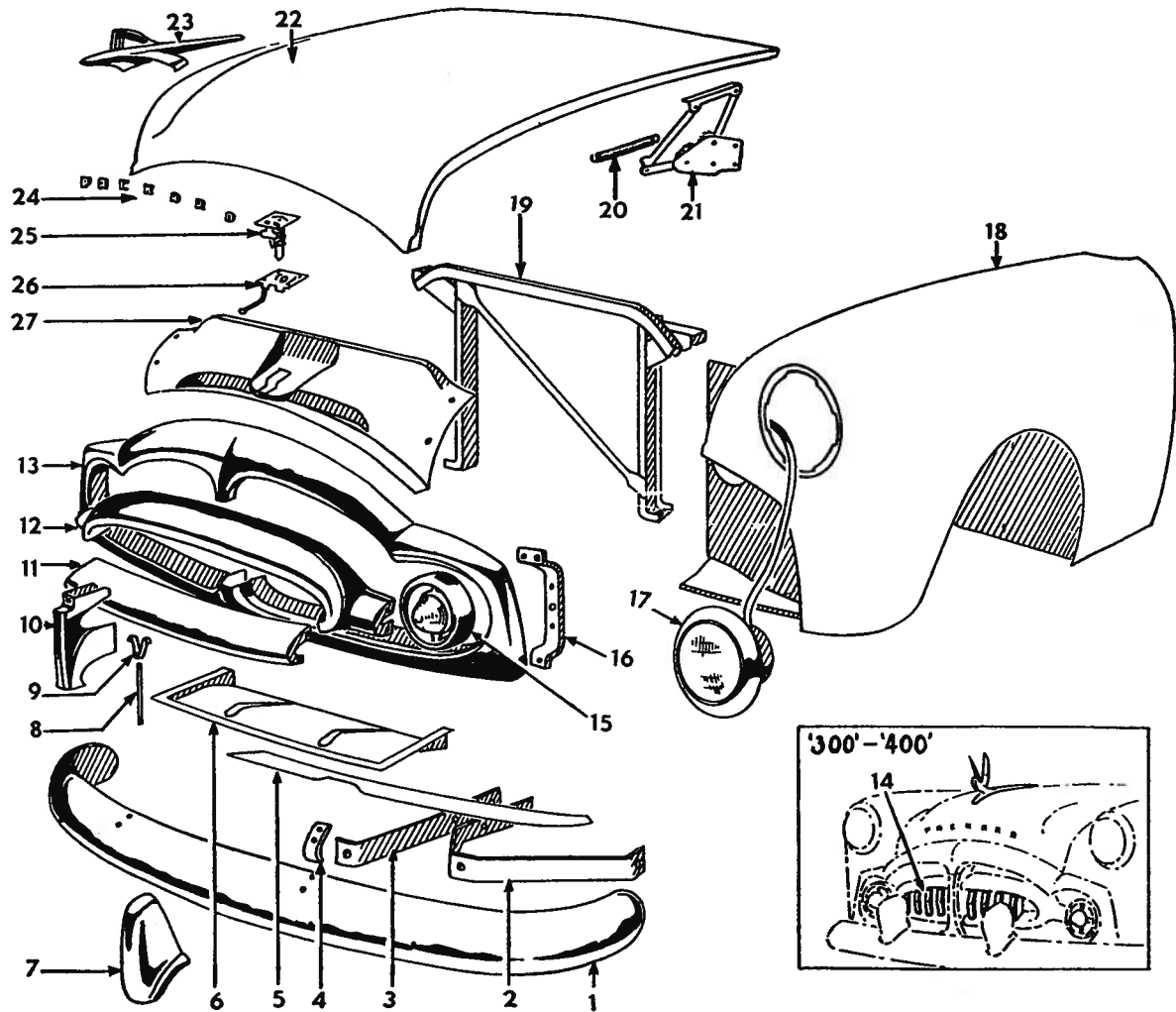


PACKARD 1951 thru 1953 BODY PARTS

24th, 25th & 26th Series. ALL BODY STYLES



1951-52

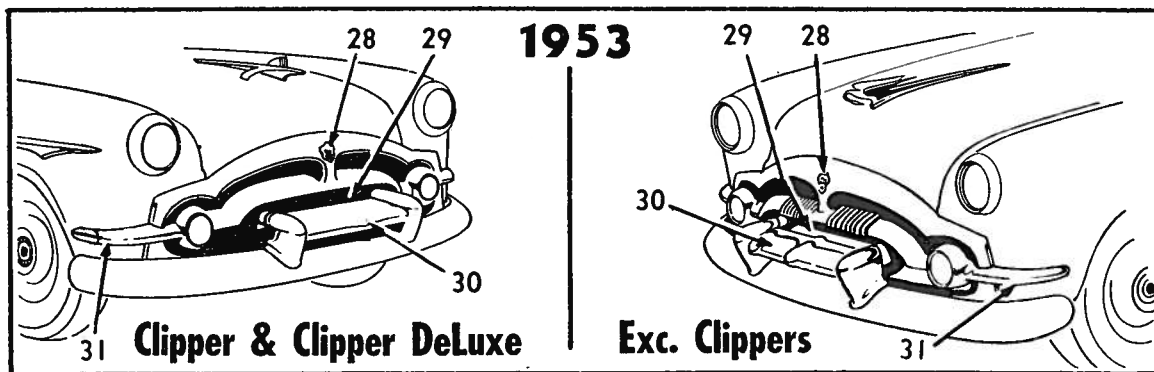


Fig. 1—Front End

BODY PARTS 1951 thru 1953 PACKARD

24th, 25th and 26th Series. ALL BODY STYLES

Front End

See Fig. 1

1 FACE BAR		15 PARKING AND DIRECTIONAL LIGHT		20 HOOD HINGE SPRING ASSEMBLY	
426288—All 24th & 25th	37.45	L416303—All 24th	12.84	42244275
443555—2601-11-33	36.43	L439077—All 25th	9.83	21 HOOD HINGE ASSEMBLY	
443995—Upper (2602-06-13-26-31) (right*)	10.10	L439207—All 26th (right*) ..	11.40	422266	3.75
443556—Lower (2602-06-13-2631)	36.43	LIGHT CABLE CONNECTOR		HOOD HINGE TO COWL PANEL SEAL	
2 OUTER SUPPORT BAR		416083—(4 wire)38	42268905
426906—2401-02-06, 2501-02-06-31, 2601-02-06-11-26-31	2.94	416081—(2 wire)11	22 HOOD ASSEMBLY	
432116—2413, 2513, 2613-33 ..	6.42	PARKING AND DIRECTIONAL LIGHT LENS		422288—All 24th	59.92
3 INNER SUPPORT BAR		410929—All 24th54	437273—All 25th, 26th (exc. body No. 2678)	65.00
426261—2401-02-06, 2501-02-06-31, 2601-02-06-11-26-31 ..	1.34	439078—All 25th51	436803—2631 (Body No. 2678) ..	167.50
433122—2413, 2513, 2613-33 (left*)	6.42	439177—All 26th95	HOOD BUMPER	
4 BUMPER GUARD REINFORCEMENT		16 MOUNTING BRACKET		422290—(To fender)05
426349—All 24th & 25th43	422298—All 24th & 25th86	422391—(To rad. grille) All 24th05
443557—26th46	17 HEADLIGHT		391463—(To rad. grille) All 25th & 26th05
5 STONE DEFLECTOR		416308	17.12	23 HOOD ORNAMENT ASSEMBLY	
442392—(right*)	17.00	HEADLIGHT TO FENDER GASKET		L422445—2401 (Body No. 62-65-92-95-98), 2501, 2601-11-33 ..	11.77
6 STONE SHIELD LINER		37140232	PA422783—2401 (Body No 67-69), 2402-06-13	12.00
437845—25th & 26th04	HEADLIGHT BODY		437270—2502-06-13-31	11.77
7 BUMPER GUARD		416248	4.28	PA444978—2602-06-13-26-31 ..	12.00
426333—2401 (Body No. 2462, 65, 92, 95, 98) (left*)	5.35	HEADLIGHT BULB		24 HOOD NAME PLATE AND EMBLEM	
426401—2401 (Body No. 2467, 69) 2402-06-13, all 25th (left*)	9.63	339528	1.40	422270—P All 24th43
446184—All 26th (left*)	9.00	BULB MOUNTING ASSEMBLY		422271—A All 24th43
8 CENTER GRILLE STUD		416247	2.46	422272—C All 24th43
422833—All 24th & 25th38	BULB RETAINER		422273—K All 24th43
9 CENTER GRILLE NUT		416059	1.93	422274—R All 24th43
G120375—All 24th & 25th05	CABLE ASSEMBLY		422275—D All 24th43
10 GRILLE VERTICAL CENTER		410956	3.21	25 UPPER HOOD LOCK ASSEMBLY	
422386—All 24th & 25th	6.42	CABLE BULB CONNECTOR		422208—(Upper)	2.68
L444291—2613-50-51-52-72-77-78-79	30.00	35816175	UPPER CATCH AND PLATE ASSEMBLY	
444292—2633-62-65-92-95-97 ..	30.00	CABLE JUNCTION BLOCK ASSEMBLY		437105	1.87
11 INNER LOWER GRILLE BAR		35116732	UPPER LOCK ASSEMBLY SPRING	
422390—2413-52-67-69-72, 2513-52-62-65-72-77-79	10.32	CABLE TO SIDE SPLASHER GROMMET		42242421
422184—2462-65-92-95-98, 2592-95	8.35	416342—All 24th & 25th05	UPPER SPRING CUP	
12 INNER UPPER GRILLE BAR		HEADLIGHT DOOR		422425—27
422178—24th & 25th	22.92	L416297—All 24th & 25th	2.94	26 LOWER HOOD LOCK ASSEMBLY	
13 OUTER GRILLE		439092—All 26th	4.00	422209	1.28
436419—24th	57.72	18 FRONT FENDER ASSEMBLY		27 TOP RADIATOR SPLASHER	
436419—25th	57.72	436526—All 24th & 25th (right*)	53.50	422378	5.76
444323—26th	52.57	436526—All 26th (right*)	53.50	28 GRILLE EMBLEM	
14 INNER LOWER GRILLE BAR		FENDER ANTI-SQUEAK		437473—All 25th	2.09
L422498—2413-52-67-69-72, 2513-52-62-65-72-77-79	3.53	42268711	444894—All 26th	1.57
L422496—(Outer) 2413-52-67-69-72, 2513-52-62-65-72-77-79 (right*)	3.21	FENDER SPLASHER ASSEMBLY		29 EXTENSION	
		422885—(Lower) All 24th & 25th (right*)	4.71	444296—All 26th (right)	1.93
		444121—(Lower) All 26th (right*)	2.05	444297—All 26th (left)	1.93
		410932—(Upper) All 24th & 25th (left*)	17.12	30 FRONT GUARD CROSS BAR	
		436424—(Upper) All 26th (left*)	10.95	443544—All 26th	10.50
		19 RADIATOR CRADLE ASSEMBLY		31 MOLDING	
		426322	7.49	444294—All 26th (right)	4.22
				444295—All 26th (left)	4.22

* Opposite side one part number higher

PACKARD 1951 thru 1953 BODY PARTS

24th, 25th and 26th Series. ALL BODY STYLES

Body Sheet Metal

2-Door Models

See Fig. 2

1 GASOLINE TANK ASSY.		4 FLOOR WHEELHOUSE		424184—2465-95-98, 2565-95, 2665-95-97 (outer) (right*)	4.82
426259—2401-02-06	21.40	424526—24th, 25th, 2650-51-65-77-78-95-97 (outer) (right*)	7.06	432292—2467-69, 2577-79, 2677-78-79 (outer) (right*)	5.35
443145—2501-02-06-31, 2601-02-06-11-26-31	21.40	424524—2465-95-98, 2565-95, 2650-51-95-97 (inner) (right*)	4.69	7 REAR FENDER SHROUD ASSY.	
403064—2413, 2513, 2613-33	16.05	424528—2469, 2579, 2679 (inner) (right*)	3.77	422760—All 24th, 25th & 26th (right*)	7.06
GASOLINE TANK INLET CAP ASSY.		5 LOWER INNER REAR QUARTER PANEL		REAR FENDER SHROUD ANTI-SQUEAK	
433189—2401, 2501, 260154	432950—2465-95-98, 2565-95 (right*)	7.49	425978—All 24th, 25th & 26th21
GASOLINE TANK INLET HOSE		441362—2467, 2577, 2677 (right*)	5.47	REAR FENDER SHROUD ATTACHING BRACKET	
426235—2401, 2501 (½ in. I.D. vent)38	435690—2469, 2579, 2679 (right*)	13.05	425110—All 24th, 25th & 26th (on shroud) (right*)21
443138—2501, 2601 (¾ in. I.D. vent)54	447166—2655-95-97 (right*)	5.44	425808—All 24th, 25th & 26th (on fender) (right*)54
2 REAR FENDER GASOLINE FILLER NECK TUNNEL		6 FLOOR SIDE SILL PANEL ASSY.		8 REAR FENDER ASSY.	
425873—All 24th, 25th & 26th	1.50	424192—2465-95-98, 2565-95, 2665-77-95-97 (inner) (right*)	1.61	424030—2465-95-98; 2565-95 (right*)	58.85
3 REAR FENDER GRAVEL SHIELD		432482—2469, 2579, 2678-79 (inner) (right*)	7.18	447178—2665-95 (right*)	58.85
432329—All 24th & 25th (left)21			447192—2677 (right)	87.00
				447190—2679 (right*)	87.00

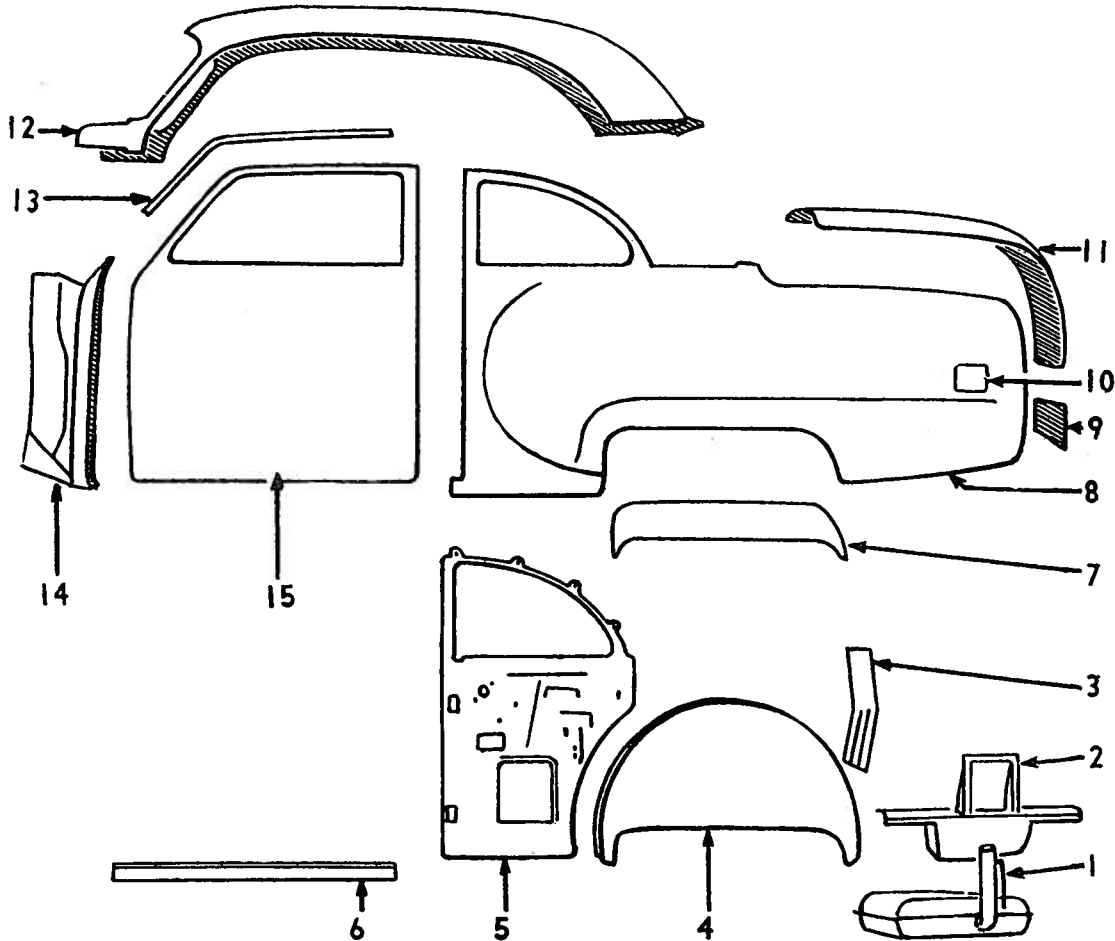


Fig. 2—Body Sheet Metal—2 Door

* Opposite side one part number higher

BODY PARTS 1951 thru 1953 PACKARD

24th, 25th and 26th Series. ALL BODY STYLES

9 LOWER REAR END CENTER	
424170—2465-95-98; 2565-95; 2650-51-95-97	2.73
REAR END CENTER LOWER PANEL SUPPORT	
424315—All 24th, 25th & 26th	.16
10 REAR FENDER GASOLINE FILLER LID ASSY.	
425567—2465-95-98; 2565-95; 2665-65-77-79-97	1.66
REAR FENDER GASOLINE FILLER LID BUMPER	
437007—All 24th, 25th & 26th	.02
REAR FENDER GASOLINE FILLER LID HINGE PIN	
425076—All 24th, 25th & 26th	.02
REAR FENDER GASOLINE FILLER LID SPRING	
424789—All 24th, 25th & 26th	.05
11 TRUNK LID ASSY.	
424168—2465-95-98	37.45
441194—2565-95	43.07
441698—2650-51-77	40.93
447324—2665-95-97	37.45
12 ROOF ASSY.	
432824—2465-95-98; 2565-95 ..	80.25
435794—2467, 2577, 2677.....	82.24
447169—2665-95-97	67.60
ROOF RAIN GUTTER MOLDING	
424240—2465-95-98; 2565-95 (right*)	2.57
441564—2665-95-97 (right*) ..	.70
441766—All 26th (front).....	.70
ROOF RAIL ASSY.	
432184—2465-95-98; 2565-95 (right*)	4.12
441938—2665-95-97 (right*) ..	4.13
ROOF RAIL REINFORCEMENT ASSY.	
424204—2465-95-98; 2565-95 (right*)64
441608—2665-95-97 (right*) ..	.35
13 ROOF RAIN GUTTER MOLDING	
424240—2465-95-98; 2465-95 (right*)	2.57
441564—2665-95-97 (right*)..	.70
14 COWL TOP PANEL ASSY.	
424443—2465-95-98; 2565-95; 2665-95-97	8.15
COWL TOP & WINDSHIELD PANEL ASSY.	
435697—2465-95-98; 2565-95 ..	23.44
441849—2665-95-97	21.35
COWL TOP PANEL WATER DAM	
422710—All 24th & 25th.....	.54
COWL SIDE PANEL ASSY.	
424148—2465-95-98; 2565-95; 2665-95-97 (right*)	23.54

435410—2467, 2577, 2677 (right*)	21.03
432994—2469, 2579, 2679 (right*)	12.71
15 FRONT DOOR ASSY.	
432248—2465-95-98; 2565-95 (right*)	64.20
447076—2665-95-97 (right*)..	64.20
447268—2677-78-79 (right*) ..	69.00
FRONT DOOR OUTER REPAIR PANEL	
424948—2465-95-98; 2565-95; 2665-95-97 (right*)	17.68

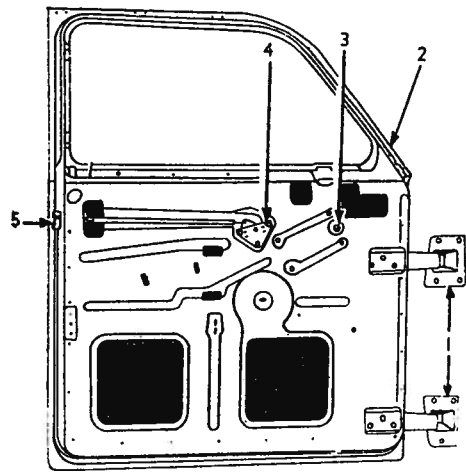


Fig. 3—Front Door

Front Door

4-Door Models

See Fig. 3

1 HINGE ASSY.	
424882—All 24th, 25th & 26th lower (right*)	3.75
424880—All 24th, 25th & 26th upper (right*)	4.01
2 FRONT DOOR ASSY.	
432246—2452-62-72-92; 2552-62- 72-92 (right*)	64.20
447126—2652-62-72-92 (right*)	64.20
OUTER REPAIR PANEL	
424798—All 24th, 25th & 26th (right*)	14.12
INNER PANEL OPENING COVER	
425411—All 24th, 25th & 26th	.46
CHECK ARM ASSY.	
424706—All 24th, 25th & 26th	.48
CHECK ARM BRACKET	
370405—All 24th, 25th & 26th	.44
3 WINDOW REGULATOR ASSY.	
425004—All 24th, 25th & 26th (right*)	3.32

396080—All 24th, 25th & 26th (use with hydraulic win- dows) (right*)	5.35
WINDOW REGULATOR ATTACHING BRACKET	
425926—All 24th, 25th & 26th (use with hydraulic win- dows)75
4 REMOTE CONTROL LOCK ASSY.	
424844—All 24th, 25th & 26th (right*)70
5 LOCK ASSY.	
424840—All 24th, 25th & 26th (right*)	3.75

Rear Door Assembly

All Models

See Fig. 4

1 HINGE ASSY.	
424886—All 24th, 25th & 26th (lower) (right*)	2.03
424884—All 24th, 25th & 26th (upper) (right*)	2.03
2 DOOR ASSY.	
432252—2452-72; 2552-72; 2652- 72 (right*)	64.20
432250—2462-92; 2562-92; 2662- 92 (right*)	61.53
OUTER REPAIR PANEL	
425508—2452-72; 2552-72; 2652- 72 (right*)	16.08
425104—2462-92; 2562-92; 2662- 92 (right*)	17.58
REAR DOOR INNER PANEL OPENING COVER	
437447—All 24th & 25th	1.20
441431—All 26th	N.P.
CHECK ARM ASSY.	
424704—All 24th, 25th & 26th	.48

continued

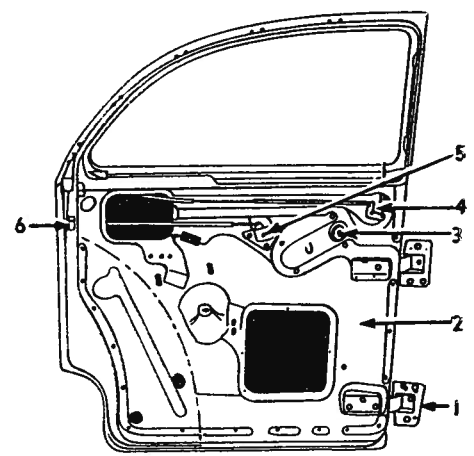


Fig. 4—Rear Door
Dotted Line—"200" Series

* Opposite side one part number higher

PACKARD 1951 thru 1953 BODY PARTS

24th, 25th and 26th Series. ALL BODY STYLES

Rear Door—continued

CHECK ARM BRACKET 370405—All 24th, 25th & 26th	.44
3 WINDOW REGULATOR ASSY. 425000—All 24th, 25th & 26th (right*)	4.01
417590—All 24th, 25th & 26th (used with hydraulic win- dows) (right*)	6.21
WINDOW REGULATOR ATTACHING BRACKET 425926—All 24th, 25th & 26th (used with hydraulic win- dows)	.75
4 LOCK LOCKING ROD 425752—All 24th	.05
441254—All 25th & 26th	.05
LOCK LOCKING ROD LEVER 424764—All 24th, 25th & 26th	.05
LOCK LOCKING ROD LEVER TO REMOTE CONTROL ROD 424779—All 24th, 25th & 26th	.05
5 REMOTE CONTROL LOCK ASSY. 424844—All 24th, 25th & 26th (right*)	.70
6 LOCK ASSY. 424848—All 24th, 25th & 26th (right*)	3.64

Body Sheet Metal

*4-Door Models
See Fig. 5*

1 GASOLINE TANK ASSY. 426259—2401-02-06	21.40
443145—2501-02-06; 2601-02- 06-11-26	21.40
GASOLINE INLET CAP ASSY. 433189—All 24th, 25th & 26th	.54
GASOLINE INLET HOSE 426235—2401-02-06; 2501-02-06 ($\frac{1}{2}$ " I. D. vent)	.38
443138—2501-02-06; 2601-02-06- 11-26 ($\frac{3}{4}$ " I. D. vent)	.54
GASOLINE MAIN TUBE ASSY. 426248—2401, 2462, 2501, 2601-11	3.21
426249—2402-06; 2502-06; 2602-06	3.21
2 REAR FENDER GASOLINE FILLER NECK TUNNEL 425873—All 24th, 25th & 26th	1.50
3 REAR FENDER GRAVEL SHIELD 432329—All 24th & 25th (left)	.21
4 REAR FENDER SHROUD ASSY. 422760—All 24th, 25th & 26th (right*)	7.06

REAR FENDER SHROUD ANTI-SQUEAK

425978—All 24th, 25th & 26th	.21
REAR FENDER SHROUD ATTACHING BRACKET 425110—All 24th, 25th & 26th (on shroud) (right*)	.21
425808—All 24th, 25th & 26th (on fender) (right*)	.54
5 REAR END CENTER PANEL 424170—2452-62-72-92; 2552- 62-72-92; 2652-62-72-92	2.73
425455—2452-72; 2552-72; 2652- 72 (upper)	7.49
REAR END CENTER LOWER PANEL SUPPORT 424315—All 24th, 25th & 26th	.16
REAR END PANEL DRAIN 424216—All 24th, 25th & 26th (upper)	.70
424218—All 24th, 25th & 26th (right*)	1.23
6 TRUNK LID ASSY. 424168—2452-62-72-92	37.45
441194—2552-62-72-92	43.67
441698—2652-72	40.93
447324—2662-92	37.45

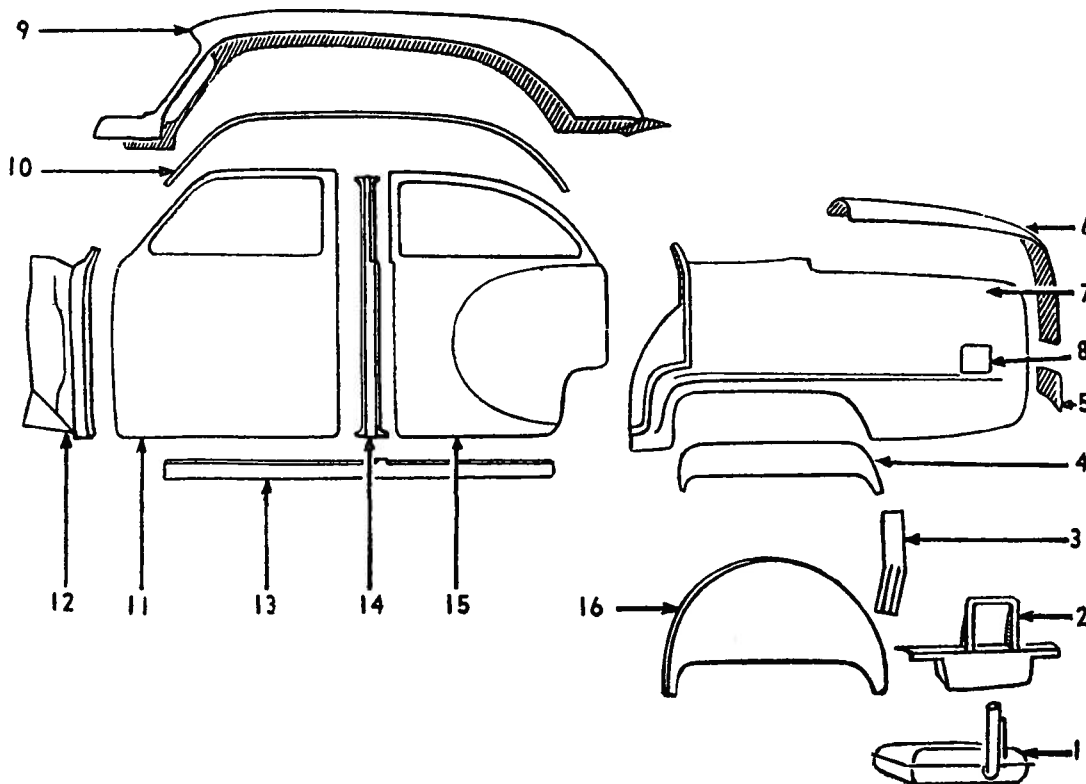


Fig. 5—Body Sheet Metal—4 Door

** Opposite side one part number higher*

BODY PARTS 1951 thru 1953 PACKARD

24th, 25th and 26th Series. ALL BODY STYLES

7 REAR FENDER ASSY.	
425760—2462-92; 2562-92 (right*)	42.30
425924—2452; 2552-72 (right*)	53.45
424780—2472 (right*)	60.64
447226—2652-72 (right*)	62.80
441928—2662-92 (right*)	42.80
8 REAR FENDER GASOLINE FILLER LID ASSY.	
425567—2462-92; 2562-92; 2662-92	1.66
425798—2452-72; 2552-72; 2652-72	1.61
REAR FENDER GASOLINE FILLER LID BUMPER	
437007—All 24th, 25th & 26th	.02
REAR FENDER GASOLINE FILLER LID HINGE PIN	
425076—All 24th, 25th & 26th	.02
REAR FENDER GASOLINE FILLER LID SPRING	
424789—All 24th, 25th & 26th	.05
TAIL LIGHT EXTENSION ASSEMBLY	
422472—2402-04; 2502-06	3.50
444208—2602-06	9.00
9 ROOF ASSY.	
432822—2452-72, 2552-72	71.73
432824—2462-92, 2562-92	80.25
441824—2652-72	85.00
447169—2662-92	67.00
ROOF RAIN GUTTER MOULDING	
424240—2452-62-72-92, 2552- 62-72-92 (right*)	2.57
441564—2652-62-72-92 (right*)	.70
ROOF RAIL ASSY.	
424290—2452-62-72-92; 2552-62-72-92 (front) (right*)	2.14
441600—2652-62-72-92 (front) (right*)	1.60
424292—2462-92; 2565-92 (rear) (right*)	1.93
432170—2452-72; 2552-72; 2652-72 (rear) (right*)	2.62
441604—2662-92 (rear) (right*)	1.30
ROOF RAIL REINFORCEMENT ASSY.	
424200—2452-62-72-92; 2552- 62-72-92 (front) (right*) ..	.48
441608—2652-62-72-92 (front) (right*)35
424202—2462-92; 2562-92 (rear) (right*)	1.02
432180—2452-72; 2552-72 (rear) (right*)	1.28
441610—2662-92 (rear) (right*)	1.05
432164—2452-72; 2552-72; 2652-72 (rear ext.) (right*)	.71
10 ROOF RAIN GUTTER MOULDING	
424240—2452-62-72-92; 2552-62-72-92 (right*)	2.57

441766—All 26th (front)70
441564—2652-62-72-92 (right*)	.70
11 FRONT DOOR ASSY.	
432246—2452-62-72-92; 2552-62-72-92 (right*)	64.20
447126—2652-62-72-92 (right*)	64.20
FRONT DOOR OUTER REPAIR PANEL	
424798—All 24th, 25th & 26th (right*)	14.12
12 COWL TOP PANEL ASSY.	
424443—All 24th, 25th & 26th	8.15
COWL TOP & WINDSHIELD PANEL ASSY.	
435697—2452-62-72-92; 2552-62-72-92	23.44
441849—2652-62-72-92	21.35
COWL TOP PANEL WATER DAM	
422710—All 24th & 25th54
COWL SIDE PANEL ASSY.	
424148—All 24th, 25th & 26th (right*)	23.54
13 FLOOR SIDE SILL PANEL ASSY.	
424192—2462-92; 2562-92; 2662-92 (inner) (right*) ..	1.61
424194—2452-72; 2552-72; 2652-72 (inner) (right*) ...	2.03
424182—2452-72; 2552-72; 2652-72 (outer) (right*) ...	4.82
14 CENTER PILLAR ASSY.	
424110—All 24th, 25th & 26th (right*)	20.65
CENTER PILLAR WINDOW FINISHING RIM	
425238—2452-62-72; 2552-62-7221
441548—All 26th43
15 REAR DOOR ASSY.	
432250—2662-92; 2562-92; 2662-92 (right*)	61.53
432252—2452-72; 2552-72; 2652-72 (right*)	64.20
REAR DOOR OUTSIDE REPAIR PANEL	
425104—2462-92; 2562-92; 2662-92 (right*)	17.58
425508—2452-72; 2552-72; 2652-72 (right*)	16.08
16 FLOOR WHEELHOUSE	
424526—All 24th, 25th; 2662-92 (outer) (right*) ...	7.06
441778—2652-72 (outer) (right*)	6.48
424524—All 24th, 25th & 26th (inner) (right*)	4.69

Door Assembly

2-Door Models

See Fig. 6

1 LOCK ASSY.	
435694—2467-69; 2577-79; 2677-78-79 (right*)	4.30
424840—2465-95-98; 2565-95; 2665-95-97 (right*)	3.75
2 REMOTE CONTROL LOCK ASSY.	
424844—All 24th, 25th & 26th (right*)70
3 WINDOW REGULATOR ASSY.	
396080—2467-69; 2577-79; 2677- 78-79 (use with hyd. win- dows) (right*)	5.35
435340—2467-69; 2577-79; 2677-78-79 (right)	6.62
425006—2465-95-98; 2565-95; 2665-95-97 (right*)	5.35
4 HINGE ASSY.	
424882—All 24th, 25th & 26th, lower (right*)	3.75
424880—All 24th, 25th & 26th, upper (right*)	4.01
5 FRONT DOOR ASSY.	
432248—2465-95; 2565-95 (right*)	64.20
435090—2467-69 (right*)	64.84
441420—2577-79 (right*)	64.84
447076—2665-95-97 (right*) ..	64.20
447268—2677-78-79 (right*) ..	69.00
OUTER REPAIR PANEL	
424948—All 24th, 25th & 26th (right*)	17.68
CHECK ARM ASSY.	
424706—All 24th, 25th & 26th	.48

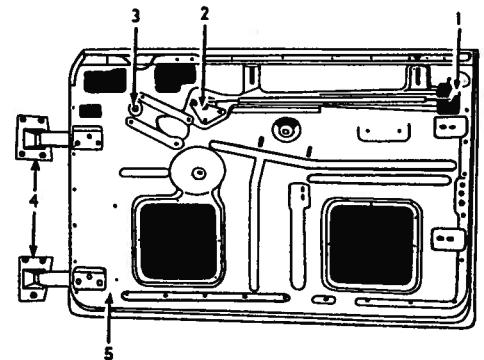


Fig. 6

CHECK ARM BRACKET	
370405—All 24th, 25th & 26th	.44
CHECK ARM RETAINER ASSY.	
417688—All 24th, 25th & 26th	.06

* Opposite side one part number higher

PACKARD 1951 thru 1953 BODY PARTS

24th, 25th and 26th Series. ALL BODY STYLES

Body Sheet Metal

*Convertible & Mayfair Models
See Fig. 7*

<p>1 GASOLINE TANK ASSY. 426259—2401 21.40 443145—2531; 2631 21.40</p> <p>GASOLINE INLET CAP ASSY. 433189—2401; 2531; 2631..... .54</p> <p>GASOLINE INLET HOSE 426235—2401; 2531 (½ in. I.D. vent)38 443138—2531; 2631 (¾ in. I.D. vent)54</p> <p>GASOLINE MAIN TUBE ASSY. 433640—2401 (2467-69); 2531; 2631 3.21</p> <p>2 REAR FENDER GASOLINE NECK TUNNEL 425873—All 24th, 25th & 26th 1.50</p>	<p>3 FLOOR WHEELHOUSE 424526—All 24th, 25th; 2677-79 (outer) (right*) 7.06 424524—2467; 2577; 2677 (inner) (right*) 4.69 424528—2469; 2579; 2679 (inner) (right) 3.77</p> <p>4 REAR FENDER GRAVEL SHIELD 432329—All 24th & 25th (left) .21</p> <p>5 REAR QUARTER LOWER INNER PANEL 441362—2467; 2577; 2677 (right*) 5.47 435690—2469; 2579; 2679 (right*) 13.05</p> <p>6 FLOOR SIDE SILL PANEL ASSY. 424192—2467; 2577; 2677 (inner) (right*) 1.61 432482—2469; 2579; 2679 (inner) (right*) 7.18 432292—2467-69; 2577-79; 2677-79 (outer) (right*).... 5.35</p>	<p>7 REAR FENDER SHROUD ASSY. 422760—All 24th, 25th & 26th (right*) 7.06</p> <p>REAR FENDER SHROUD ANTI-SQUEAK 425978—All 24th, 25th & 26th .21</p> <p>REAR FENDER SHROUD ATTACHING BRACKET 425110—All 24th, 25th & 26th on shroud (right*)..... .21 425808—All 24th, 25th & 26th on fender (right*)..... .54</p> <p>8 LOWER REAR END CENTER PANEL 424170—2467-69; 2577-79; 2677-79 2.73</p> <p>LOWER REAR END CENTER PANEL SUPPORT 424315—All 24th, 25th & 26th .16</p> <p>9 REAR FENDER ASSY. 435406—2467 (right*) 76.43 435004—2469 (right*) 83.10 441032—2577 (right*) 83.33</p>
--	---	--

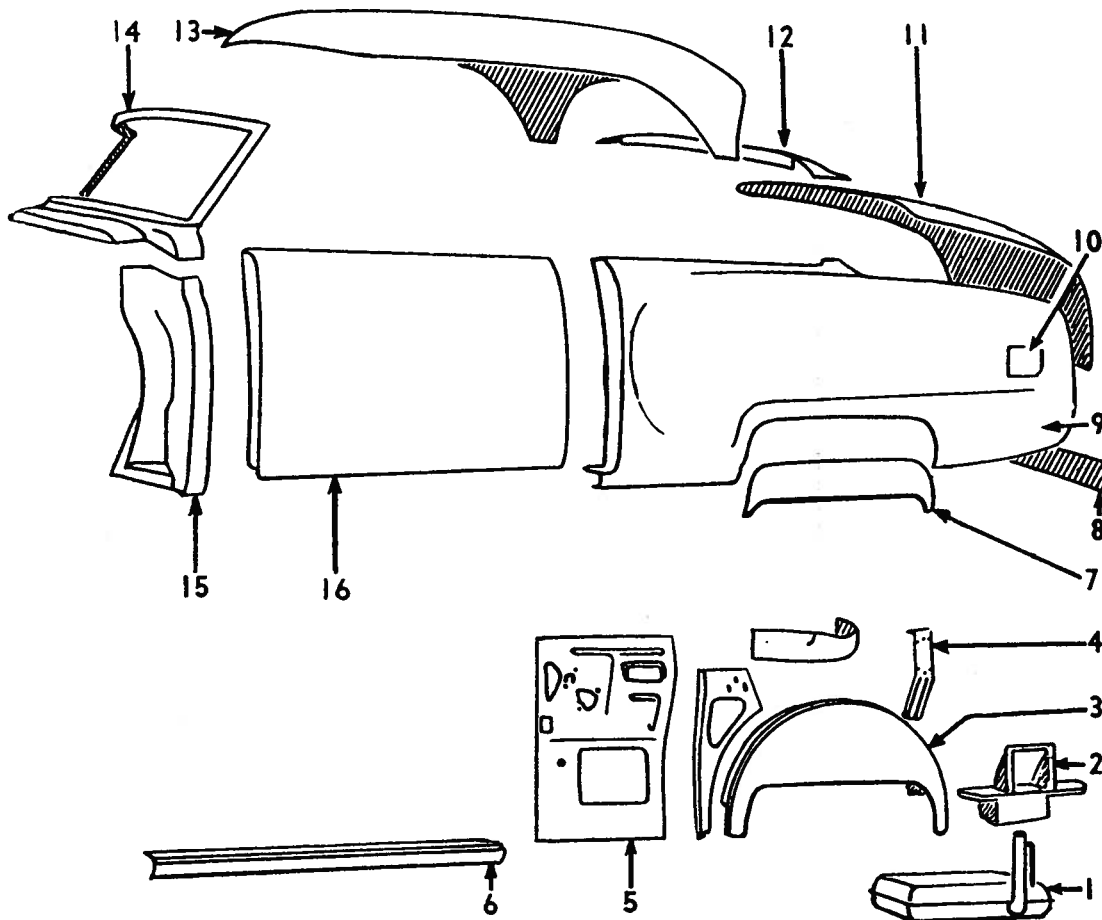


Fig. 7—Body Sheet Metal—Convertible

** Opposite side one part number higher*

BODY PARTS 1951 thru 1953 PACKARD

24th, 25th and 26th Series. ALL BODY STYLES

441034—2579 (right*)	76.94	437159—2467; 2577, 2677 (front) (left)	1.76
447192—2677 (right*)	87.00		
447190—2679 (right*)	87.00		
REAR FENDER OUTER REPAIR PANEL			
435316—2467, 2577 (right*)...	46.26	ROOF RAIL ASSY.	
424026—2469, 2579 (right*) ..	53.96	435550—2467; 2577, 2677 (right*)	10.58
441746—2677 (right*)	46.00		
441744—2679 (right*)	53.00	ROOF RAIL FRONT EXTENSION	
		435770—2467; 2577, 2677 (right*)	2.20
10 REAR FENDER GASOLINE FILLER LID ASSY.			
425567—2467-69; 2577-79; 2677-79	1.66	14 COWL TOP & WINDSHIELD PANEL ASSY.	
		435468—2467; 2577, 2677.....	50.00
11 TRUNK LID ASSY.		435374—2469; 2579, 2679	50.10
424168—2467	37.45		
424177—2469	62.06	COWL TOP PANEL WATER DAM	
441194—2577	43.67	422710—All 24th & 25th.....	.54
441193—2579	45.84		
441698—2677	40.93	15 COWL SIDE PANEL ASSY.	
441699—2679	66.00	435410—2467; 2577, 2677 (right*)	21.03
12 UPPER REAR END CENTER PANEL		432994—2469; 2579, 2679 (less inner panel) (right*)	12.71
435378—2467; 2577, 2677.....	5.59	432958—2469 (less inner panel, use with hydraulic windows) (right*)	N.P.
424173—2469; 2579, 2679.....	21.40	435411—2467 (use with hy- draulic windows) (left).....	21.03
13 ROOF ASSY.			
435794—2467; 2577, 2677.....	82.24	COWL SIDE INNER PANEL	
		435008—2469; 2579, 2679 (right*)	7.88
ROOF BOW			
435517—2467; 2577	1.09	16 FRONT DOOR ASSY.	
		435090—2467-69 (right*).....	64.84
ROOF RAIN GUTTER MOLDING		441420—2577-79 (right*).....	64.84
435080—2467; 2577, 2677 (side) (right*)	1.73	447268—2677-79 (right*)	69.00
435188—2467; 2577, 2677 (front)	2.25		
		FRONT DOOR OUTER REPAIR PANEL	
ROOF RAIN GUTTER MOLDING COVER		424948—2467-69; 2577-79, 2677-79 (right*)	17.68
435368—2467; 2577, 2677 (front) (right)	1.76		
435608—2467; 2577, 2677 (side) (right*)	2.24		

Body Moldings

4-Door Sedan

See Fig. 8

1 NAME PLATE	
422270—All 24th (P)43
422271—All 24th (A)43
422272—All 24th (C)43
422273—All 24th (K)43
422274—All 24th (R)43
422275—All 24th (D)43
RADIATOR EMBLEM	
437473—All 25th	2.09
444894—All 26th	1.57
2 ORNAMENT ASSY.	
L422445—2401 (2462-92); 2501; 2601-11-33	11.77
PA422783—2402-06	12.00
437270—2502-06	11.77
PA444978—2602-06	12.00
3 FRONT FENDER SIDE MOLDING FRONT PLATE "BARB"	
422464—All 24th & 25th (right*)	2.14
4 FINISHING OUTSIDE RIM	
425658—Lower center, all 24th, 25th & 26th	1.50
425662—2452-62-72-92; 2552- 62-72-92 (lower) (right*) ..	1.02
441796—All 26th (lower) (right*)	1.05
441524—All 26th (side) (right*)	1.29
5 WINDSHIELD GLASS	
424570—2452-62-72-92; 2552- 62-72-92	48.15
437928—2552-62-72-92 (heat absorption type with light filter)	53.75

continued

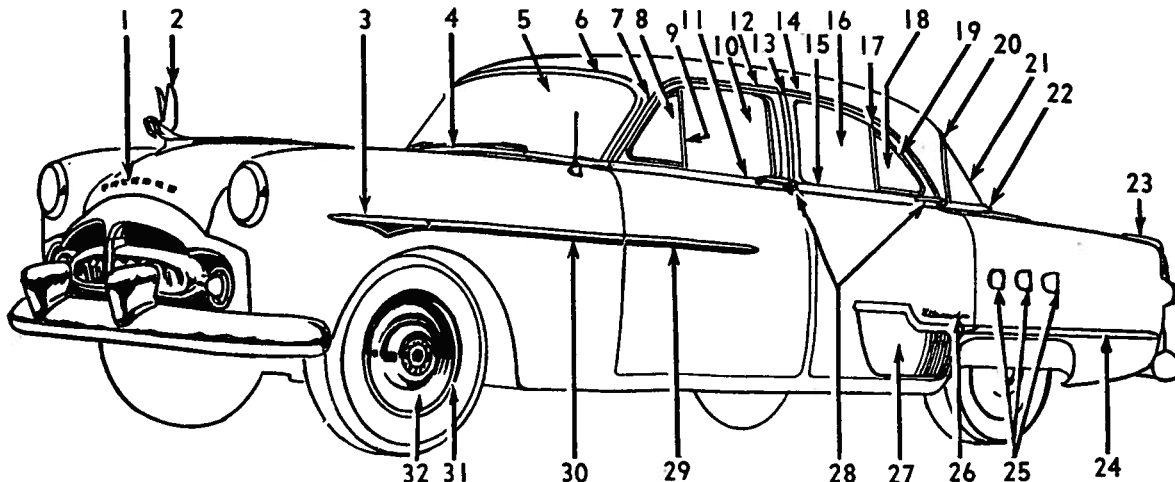


Fig. 8—Body Moldings—4 Door

** Opposite side one part number higher*

PACKARD 1951 thru 1953 BODY PARTS**24th, 25th and 26th Series. ALL BODY STYLES****Body Moldings—continued**

444758—All 26th	60.65	424299—2492 (rear)	4.28	25 REAR FENDER TRIM LOUVRE	
6 FINISHING OUTSIDE RIM		437935—All 25th & 26th (heat absorption type)	7.47	425598—2452	2.45
425666—2452-62-72-92; 2552- 62-72-92 (upper) (right*) ..	1.61			PA 437490—2552-62	1.21
447170—All 26th (up. cor.) (right*)	1.41	17 WINDOW WING WEATHERSTRIP RETAINER ASSY.		26 REAR DOOR SCRIPT PLATE	
441552—All 26th (upper)	1.60	424628—All 24th, 25th & 26th (right*)	3.21	422432—2452	1.20
7 WINDOW WING GLASS RETAINER ASSY.				444895—2662	1.27
425730—All 24th, 25th & 26th (right*)	3.21	18 REAR WINDOW WING GLASS		27 REAR DOOR STONE SHIELD	
8 FRONT WINDOW WING GLASS		424587—All 24th, 25th & 26th	3.75	L425754—2452; 2552 (right*)	18.17
424583—All 24th, 25th & 26th	3.75	437939—All 25th & 26th (heat absorption type)	3.72	444658—2662 (right*)	13.90
437938—All 25th & 26th (heat absorption type)	3.72	19 WINDOW WING GLASS RETAINER		28 OUTSIDE LOCK HANDLE	
9 WINDOW WING WEATHERSTRIP RETAINER ASSY.		425732—All 24th, 25th & 26th (right*)	2.89	425744—All 24th, 25th & 26th (right*)	4.23
425550—All 24th, 25th & 26th (right*)	3.21	20 UPPER OUTSIDE FINISHING RIM		29 BOTTOM OUTSIDE MOLDING	
10 FRONT DOOR WINDOW GLASS		432208—2452-72; 2552-72; 2652- 72 (division) (right*)	2.33	425648—All 24th (front door)	1.45
424580—All 24th, 25th & 26th	7.49	432271—2452-72; 2552-72; 2652- 72 (center)	1.50	437654—All 25th (front door)	2.22
437937—All 25th & 26th (heat absorption type)	7.37	432224—2452-72; 2552-72; 2652- 72 (side) (right*)	1.02	441636—2652-72 (front door) (right*)	2.83
11 FRONT DOOR BELT MOLDING		447118—2662-92 (side) (right*)	3.45	441538—2662 (front door) (right*)	5.75
425202—All 24th, 25th & 26th (right*)	1.82	425660—2462-92; 2562-92 (right*)	1.55	441532—2692 (front door) (right*)	2.31
12 FRONT WINDOW FINISHING RIM		441526—2662-92 (right*)	1.51	437808—2472; 2572 (rear door)	2.18
425640—2452-62-72; 2552-62-72 (right*)	1.66	21 REAR WINDOW GLASS		441638—2652-72 (rear door) (right*)	3.27
441534—All 26th (right*) ..	1.42	424281—2452-72; 2552-72; 2652- 72 (center)	26.75	447130—2662 (rear door) (right frt.*)	6.00
13 CENTER PILLAR WINDOW FINISHING RIM		425938—2452-72; 2552-72; 2652-72 (side) (right*)	12.84	441544—2662 (rear door) (right rear*)	1.27
425238—2452-62-72; 2552-62-72	.21	424280—2462-92; 2562-92	32.10	441652—2692 (rear door) (right*)	1.75
441548—All 26th (right*)43	437931—2552-72; 2652-72 (cen- ter) (heat absorption type)	21.72	30 FRONT FENDER SIDE MOLDING	
14 REAR WINDOW FINISHING RIM		437940—2552-72; 2652-72 (side) (heat absorption type) (right*)	12.42	422466—All 24th & 25th	1.61
425642—2452-62-72; 2552-62-72 (right*)	1.66	444771—2662-92	38.00	441642—2652-72 (upper)	3.58
441546—All 26th (right*)	1.56	22 LOWER OUTSIDE FINISHING RIM		441670—2652-72 (center) (right*)	5.00
15 REAR DOOR BELT MOLDING		432267—2452-72; 2552-72; 2652-72 (center)	1.98	441644—2652-72 (lower) (right*)	1.31
425200—All 24th, 25th & 26th (right*)	1.82	425214—2452-72; 2552-72; 2652-72 (right*)	1.93	44186—2662-92 (right*)	1.91
16 REAR DOOR WINDOW GLASS		425722—2462-92; 2562-92	2.35	31 WHEEL ASSY.	
424586—2452-62-72; All 25th & 26th	7.49	441832—2662-92 (right*)	426835—2401 (2462-92); 2501; 2601-11 (5.50)	13.91
424586—2492 (front)	7.49	23 EXTENSION ASSY.		426834—2402-06; 2502-06; 2602-06 (6.00)	13.91
		422472—2402-06; 2502-06	3.50	446280—2601-02-06 (6.00) (wire)	89.00
		444208—2602-06	9.00	32 WHEEL HUB SHELL "HUB CAP" COVER	
		24 REAR FENDER BOTTOM MOLDING		419954—2401 (2462-92); 2501; 2601-11	2.41
		425656—2452; 2552 (right*) ..	3.16	426064—2401-02-06; 2501-02-06	5.89
		441648—2652-72 (right*)	3.39	446304—2602-06	5.67
		441554—2662-92 (right*)	2.52	426064—2402-06; 2501	5.89
				443238—2501; 2502-06	8.87
				446304—2602-06	5.67

* Opposite side one part number higher

BODY PARTS 1951 thru 1953 PACKARD

24th, 25th and 26th Series. ALL BODY STYLES

Body Moldings

2-door (S), & Coupes

See Fig. 9

1 NAME PLATE

422270—All 24th (P).....	.43
422271—All 24th (A).....	.43
422272—All 24th (C).....	.43
422273—All 24th (K).....	.43
422274—All 24th (R).....	.43
422275—All 24th (D).....	.43

2 ORNAMENT ASSY.

L422445—2401 (2465-95-98); 2501; 2601-11	11.77
PA422783—2467-69; 2402-06 ..	12.00
437270—2502-06	11.77
PA444978—2602-06	12.00

3 FRONT FENDER SIDE MOLDING FRONT PLATE "BARB"

422464—All 24th & 25th (right*)	2.14
--	------

4 OUTSIDE FINISHING RIM

425658—All 24th, 25th & 26th (lower center)	1.50
425662—2465-95-98; 2565-95 (lower) (right*)	1.02
435064—2678 (lower) (right*) ..	3.02
441524—All 26th (side) (right*)	1.29

5 WINDSHIELD GLASS

424570—2465-95-98; 2565-95 ..	48.15
432433—2678	48.15
437928—2565-95 (heat absorption with light filter).....	53.75
444758—All 26th	60.65

6 UPPER OUTSIDE FINISHING RIM

425666—2465-95; 2565-95 (upper) (right*)	1.61
---	------

435630—2678 (right*)	7.14
441522—All 26th	2.57
447170—All 26th (cor.) (right*)	1.41

7 WING WINDOW GLASS RETAINER ASSY.

425730—2465-95-98; 2565-95; 2665-95-97 (right*)	3.21
432602—2678 (right*)

8 FRONT WING WINDOW GLASS

424583—2465-95-98; 2565-95; 2665-95-97	3.75
437938—All 25th & 26th (heat absorption type)	3.72
444015—2678	3.72

9 WING WINDOW WEATHER-STRIP RETAINER ASSY.

425550—All 24th, 25th & 26th (right*)	3.21
--	------

10 DOOR WINDOW GLASS

424581—2465-95-98; 2565-95; 2665-95-97	10.70
437936—2565-95; 2665-95-97 (heat absorption type).....	10.67

11 FRONT DOOR BELT MOLDING

425204—All 24th, 25th & 26th (right*)	2.09
--	------

12 WINDOW FINISHING RIM

425644—2465; 2565 (right*) ..	1.77
441536—2665-95-97 (right*) ..	1.64

13 QUARTER WINDOW FINISHING RIM

425646—2465; 2565 (right*) ..	1.55
441552—2665-95-97 (right*) ..	1.60

14 REAR QUARTER BELT MOLDING

425210—2465-95-98; 2565-95 (right*)	1.87
--	------

15 QUARTER WINDOW GLASS

424800—2465-95; 2565-95; 2665-95-97	9.63
432437—2498	10.06
437934—2565-95; 2665-95-97 (heat absorption type).....	9.22

16 OUTER LOCK HANDLE

425744—All 24th, 25th & 26th (right*)	4.23
--	------

17 OUTSIDE BOTTOM MOLDING

425648—All 24th	1.45
437654—All 25th	2.22
441540—2665 (right*)	5.50
441532—2695 (right*)	2.31

18 FRONT FENDER SIDE MOLDING

422466—All 24th & 25th.....	1.61
444186—2665-95-97 (right*)..	1.91

19 WHEEL ASSY.

426835—2401 (2465-95-98); 2501; 2601-11 (5.50).....	13.91
426834—2402-06; 2502-06; 2602-06 (6.00)	13.91
446280—2602-06 (6.00) (wire)	89.00

20 WHEEL HUB SHELL "HUB CAP" COVER

419954—2401 (2465-95-98); 2501; 2601-11	2.41
426064—2402-06; 2501-02-06 ..	5.89
446304—2602-06	5.67

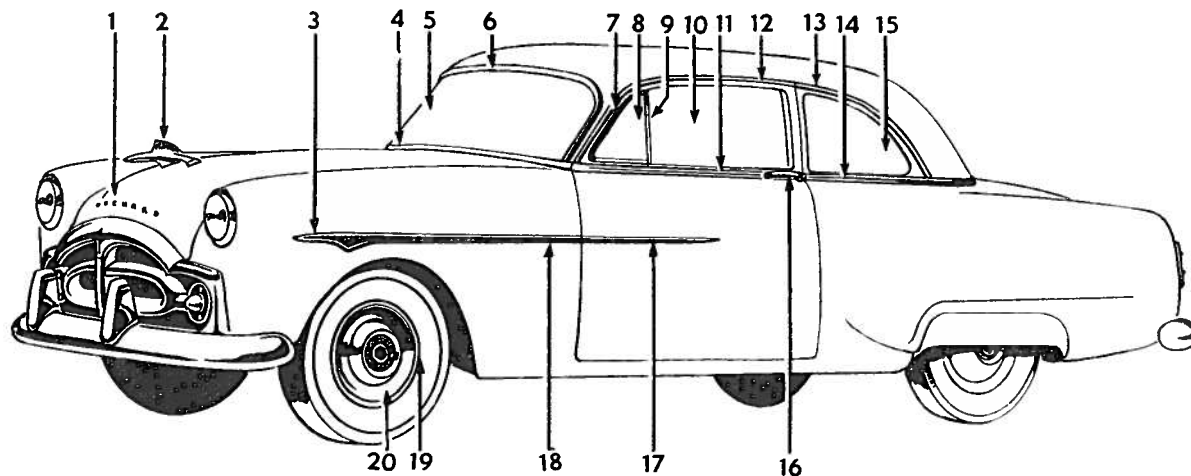


Fig. 9—Body Moldings—2 Door

* Opposite side one part number higher

PACKARD 1951 thru 1953 BODY PARTS

24th, 25th and 26th Series. ALL BODY STYLES

Body Moldings

Convertible and Mayfair—Body Styles

See Fig. 10

1 NAME PLATE

422270—All 24th (P).....	.43
422271—All 24th (A).....	.43
422272—All 24th (C).....	.43
422273—All 24th (K).....	.43
422274—All 24th (R).....	.43
422275—All 24th (D).....	.43

RADIATOR EMBLEM

437473—All 25th	2.09
444894—All 26th	1.57

2 ORNAMENT ASSY.

L422445—2501; 2601-11	11.77
437270—2502-06	11.77
PA422783—2467-69; 2402-06 ..	12.00
PA444978—2602-06	12.00

3 FRONT FENDER SIDE MOLDING FRONT PLATE "BARB"

422464—All 24th & 25th (right*)	2.14
---------------------------------------	------

4 LOWER OUTSIDE FINISHING RIM

435064—All 24th, 25th & 26th (right*)	3.02
---	------

5 CENTER OUTSIDE FINISHING RIM

425658—All 24th, 25th & 26th	1.50
------------------------------------	------

6 UPPER OUTSIDE FINISHING RIM

435630—All 24th, 25th & 26th (right*)	7.14
---	------

7 WINDSHIELD GLASS

432433—All 24th, 25th & 26th	48.15
437942—2577-79; 2677-79 (heat absorption type with light filter)	56.64
437942—2577-79 (heat absorption type)	56.64

8 FRONT ROOF RAIN GUTTER MOLDING

435188—2467; 2577; 2677	2.25
------------------------------	------

9 WING WINDOW GLASS RETAINER ASSY.

432602—All 24th, 25th & 26th (right*)	5.66
---	------

10 FRONT WING WINDOW GLASS

432612—All 24th, 25th & 26th	3.75
444015—2577-79; 2677-79 (heat absorption type)	3.72

11 SIDE ROOF RAIN GUTTER MOLDING

435080—2467; 2577; 2677 (right*)	1.73
--	------

12 DOOR WINDOW GLASS

424582—All 24th, 25th & 26th	10.70
444016—2577-79; 2677-79 (heat absorption type)	10.23

13 FRONT DOOR BELT MOLDING

425206—All 24th, 25th & 26th (right*)	2.14
---	------

14 WINDOW GLASS FRAME ASSY.

432518—All 24th, 25th & 26th (right*)	17.50
444954—2677-79 (2nd type)..	N.P.

15 GLASS & RETAINER ASSY.

432380—2467-69 (right*)	33.03
437712—2577-79; 2677-79 (right*)	30.00
437714—All 24th, 25th & 26th (use with hydraulic windows) (right*)	33.37
444034—2577-79; 2677-79 (with heat absorption glass) (right)	49.33
444036—2577-79; 2677-79 (with heat absorption glass, use with hydraulic windows) (right*)	N.P.

16 QUARTER WINDOW GLASS

432327—All 24th, 25th & 26th	8.35
444009—2577-79; 2677-79 (heat absorption glass)	8.22

17 REAR QUARTER BELT MOLDING

435036—2469; 2579; 2679 (front) (right*)	1.20
425216—2469; 2579; 2679 (rear) (right*)	2.08

18 OUTSIDE FINISHING RIM

435481—2467; 2577; 2677 (lower center)	1.36
435572—2467; 2577; 2677 (lower) (right*)	1.83
435614—2467; 2577; 2677 (upper center)	1.02
435568—2467; 2577; 2677 (upper side) (right*)64

19 REAR WINDOW GLASS

435190—2467; 2577; 2677 (center)	29.64
435220—2467; 2577; 2677 (side) (right*)	16.59
437929—2577; 2677 (center, heat absorption type)	27.17
437932—2577, 2677 (side, heat absorption type) (right*) ..	14.54

20 OUTSIDE DIVISION FINISHING RIM

435560—2467; 2577; 2677 (right*)	3.88
--	------

21 REAR FENDER SCRIPT PLATE

422432—2467-69	1.20
----------------------	------

22 REAR FENDER TRIM LOUVRE

425598—2467-69	2.45
PA437490—2577-79; 2677-79 ..	1.21

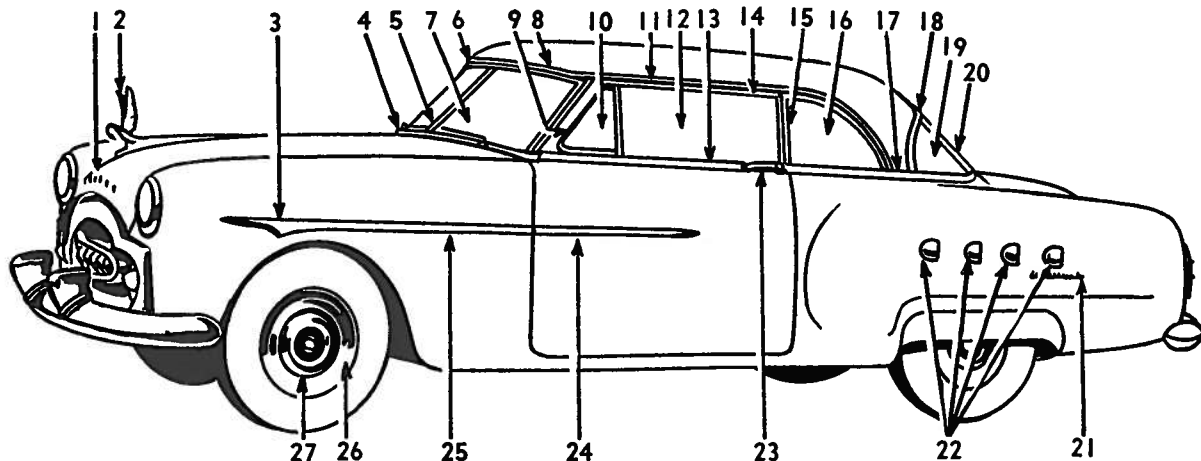


Fig. 10—Body Moldings

* Opposite side one part number higher

BODY PARTS 1951 thru 1953 PACKARD

24th, 25th and 26th Series. ALL BODY STYLES

23 OUTER LOCK HANDLE	
425744—All 24th, 25th & 26th (right*)	4.23
24 BOTTOM OUTSIDE MOLDING	
425648—All 24th	1.45
437654—All 25th	2.22
441540—2677-79	5.50
25 FRONT FENDER SIDE MOLDING	
422466—All 24th & 25th.....	1.61
444186—2677-79	1.91
26 WHEEL ASSY.	
426834—2401 (2467-69); 2402-06; 2502-06; 2602-06 (15x6.00); 2531	13.91
426835—2501; 2601-11 (15x5.50)	13.91
446280—2601-02 (6.00) (wire)	89.00
27 WHEEL HUB SHELL "HUB CAP" COVER	
426064—2401 (2467-69); 2402-06; 2501-02-06	5.89
443238—2501-02-06 (Spec.) ...	8.87

Rear of Car

See Fig. 11

1 BUMPER FACE BAR	
426343—2401 (2462-65-92-95-98)	37.45
426412—2401 (2467-69); 2402-06; 2501-02-06-31	37.45
443340—2601-11	35.00
443390—2602-06 (upper) (left*)	10.10
443339—2602-06 (lower)	35.00
446420—2678 (upper) (left*)..	10.50
2 REAR FENDER TRIM SHIELD	
L422470—2452-72; 2552-72 (right)	5.19
L422471—2452-72; 2552-72 (left)	5.19
3 REAR BUMPER GUARD	
426335—2401 (2462-65-92-95-98) (left*)	5.35
426401—2401 (2467-69); 2402-06; 2501-02-06-31 (right*)..	9.63
443395—2601-11 (right*)	9.00
443386—2602-06 (right*)	9.00
446428—2678 (right*)	16.55

4 LICENSE LIGHT ASSY.	
416324—2413-52-67-69-72; all 25th; 2633	10.03
416305—2462-65-92-95-98 (includes bracket)	2.68
443337—2652-62-65-72-77-78-79-92-95-97	2.93
LICENSE LIGHT CONNECTOR	
416081—All 24th, 25th & 26th11
LICENSE LIGHT BRACKET	
426394—2462-65-92-95-9838
443336—All 26th	1.25
LICENSE LIGHT BODY	
436200—2413-52-67-69-72; all 25th; 2613-33.....	9.31
LICENSE LIGHT BULB	
102590—All 24th, 25th & 26th11
LICENSE LIGHT BULB SOCKET & CABLE	
436204—2413-52-67-69-72; all 25th; 2613-33	2.21

continued

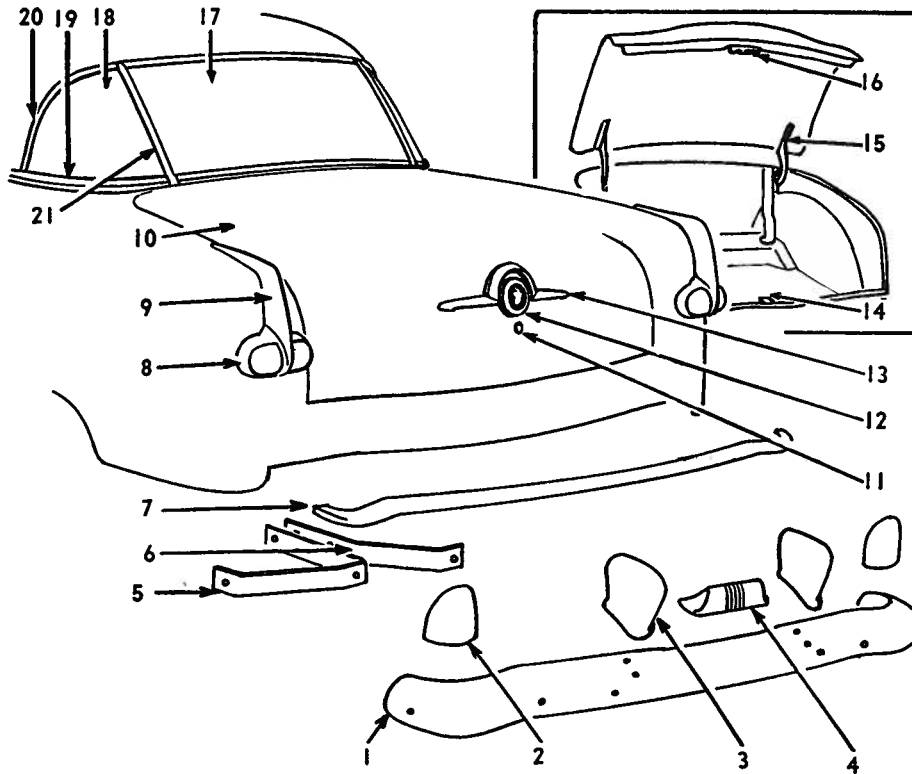


Fig. 11—Rear of Car

* Opposite side one part number higher

PACKARD 1951 thru 1953 BODY PARTS**24th, 25th and 26th Series. ALL BODY STYLES****Rear of Car—continued**

410966—2462-65-92-95-98; all 26th	1.77	416361—2402-06-13; 2502-06-13; 2602-06-13-26-33; 267838	11 TRUNK LID LOCK CYLINDER & CASE	
LICENSE LIGHT CABLE CONDUIT GROMMET		439000—2601-11; 2677-7951	424813—All 24th & 25th	1.28
416291—All 24th, 25th & 26th	.05	TAIL LIGHT TO FENDER MOUNTING REINFORCEMENT		LOCK ASSEMBLY	
LICENSE LIGHT DOOR		416306—2401; 2501-31; 2601-11; 2677-7916	435649—All 24th	2.68
L436201—2413-52-67-69-72; all 25th; 2613-33	2.33	TAIL BODY LIGHT		441650—All 25th & 26th.....	2.60
LICENSE LIGHT LENS		410935—2401; 2501-31; 2601-11; 2677-79	5.08	TRUNK LID LOCK CYLINDER GASKET	
436202—2413-52-62-67-69-72; all 25th; 2613-3375	L436021—2402-06-13; 2502-06-13; 2602-06-13-26-33; 2678..	11.01	370048—All 24th & 25th10
410969—2462-65-92-95-98; all 26th38	TAIL LIGHT BULB		TRUNK LID LOCK CYLINDER KEY	
LICENSE LIGHT GLASS GASKET		354506—All 24th, 25th & 26th..	.37	148842—All 24th, 25th & 26th..	.21
436203—2413-52-67-72; all 25th; 26-13-3327	102590—2402-06-13; 2502-06-13; 2602-06-13-26-33; 2678..	.11	12 TRUNK LID EMBLEM	
410968—2462-65-92-95-98; all 26th (inner)05	TAIL LIGHT CABLE & SOCKET ASSY.		422416—All 24th	1.18
410970—2462-65-92-95-98; all 26th (outer)11	436143—All 24th, 25th & 26th; stop, tail light & directional signal75	437477—All 25th	1.31
5 OUTER REAR SUPPORT BAR		436222—2402-06-13; 2502-06-13; 2602-06-13-26-33; 2678..	.75	TRUNK LID EMBLEM BEZEL	
426904—2401 (2462-65-92-95-98)	2.94	TAIL LIGHT LENS		422417—All 24th	2.25
426905—2401 (2467-69); 2402-06; 2501-02-06-31; 2601-02-06-11-26-31	2.94	410937—2401; 2501-13; 2601-11; 2677-79	1.61	13 TRUNK LID HANDLE	
433124—2413, 2513 (left*)....	9.10	436026—2402-06-13; 2502-06-13; 2602-06-13-26-33; 2678 (red, outer)86	422418—All 24th	4.44
6 INNER REAR SUPPORT BAR		436025—2402-06-13; 2502-06-13; 2602-06-13-26-33; 2678 (white, inner)	1.02	L437196—All 25th	8.68
426312—2401 (2462-65-92-95-98)	1.93	TAIL LIGHT LENS GASKET		444156—2652-72-77-79	7.27
426403—2401 (2467-69); 2402-06; 2501-02-06-31; 2601-02-06-11-26-31	1.87	410938—2401; 2501-31; 2601-11; 2677-7927	444990—2662-65-78-92-97	1.87
426997—2413, 2513; 2613-33...	4.28	436022—2402-06-13; 2502-06-13; 2602-06-13; 2678.....	.11	14 TRUNK LID LOCK STRIKER SUPPORT BRACKET	
7 REAR STONE DEFLECTOR		TAIL LIGHT LENS RETAINER		425469—All 24th, 25th & 26th..	.70
422448—2401 (2462-65-92-95-98) (right*)	3.05	410939—2401; 2501-31; 2601-11 439121—2677-79	1.12 2.72	15 TRUNK LID HINGE ASSY.	
437414—2401 (2467-69); 2501-31; 2601-11-31 (right*)....	3.12	TAIL LIGHT LENS RETAINER GASKET		432960—2452-62-65-67-72-92-95-98 (right*)	6.31
422450—2402-06; 2502-06; 2602-06-26 (right*)	3.10	410940—2401; 2501-31; 2601-11; 2677-7905	432962—2469 (right*)	6.62
448074—2678 (inner) (right*)	N.P.	TAIL LIGHT LENS RETAINING PLATE		441216—2552-62-65-72-77-92-95; 2652-62-65-72-77-92-95-97 (right*)	7.27
STONE DEFLECTOR LINER		436020—2402-06-13; 2502-06-13; 2602-06-13-26-33; 2678..	.21	441214—2579; 2678-79 (right*)	7.02
422458—2501-02-06-31; 2601-02-06-11-26-3105	9 TAIL LIGHT EXTENSION ASSY.		TRUNK LID HINGE SPRING	
444862—2678 (to body)15	422472—2402-04-13; 2502-06-13; 2613-33	3.50	432968—All 24th80
444998—2678 (to offender)...	2.20	444208—2602-06-26; 2678	9.00	441209—2552-62-65-72-77-92-95; 2652-62-65-72-77-92-95-97	1.06
STONE DEFLECTOR SEAL		10 TRUNK LID ASSY.		441384—2579; 2678-79	N.P.
422577—2401-02-06; 2501-02-06-31; 2601-02-06-11-26-31 ..	.32	424168—2452-62-65-67-72-92-95-98	37.45	16 TRUNK LID LOCK STRIKER	
8 TAIL & STOP LIGHT ASSY.		424177—2469	62.06	435349—All 24th (2 piece stamping welded type)86
L416283—2401; 2501-31; 2601-11	8.07	441194—2552-62-65-72-77-92-95	43.67	435646—All (1 piece stamping type)64
LL416314—2402-06-13; 2502-06-13; 2602-06-13-26-33	10.38	441193—2579	45.84	17 REAR CENTER WINDOW GLASS	
439132—2677-79	10.05	441698—2652-72-77	40.93	441438—All 26th97
TAIL LIGHT TO BODY GASKET		447324—2662-65-92-95-97	37.45	424281—2452-72; 2552-72; 2652-72	26.75
416302—2401; 2501-3143	447598—2678	72.50	435190—2467, 2577, 2677.....	29.64
		441699—2679	66.00	424280—2462-65-92-95-98; 2562-65-92-95	32.10

* Opposite side one part number higher

BODY PARTS 1951 thru 1953 PACKARD

24th, 25th & 26th Series. ALL BODY STYLES

<p>435753—2552-72; 2652-72 7.94 435752—2562-65-92-95 3.52 447426—2662-65-92-95-97 10.90</p> <p>18 REAR SIDE WINDOW GLASS 425938—2452-72; 2552-72; 2652-72 (right*) 12.84 435220—2467; 2577; 2677 (right*) 16.59 437940—2552-72; 2652-72 (heat absorption type) (right*)... 12.42 437932—2577; 2677 (heat absorption type) (right*)... 14.54</p> <p>19 REAR WINDOW MOLDINGS, LOWER 432267—2452-72; 2552-72; 2652-72 (center) 1.93 425214—2452-72; 2552-72; 2652-72 (right*) 1.93 425722—2462-65-92-95-98; 2562-65-92-95 2.35 435481—2467; 2577; 2677 (center) 1.36 435572—2467; 2577; 2677 (right*) 1.83 441562—2665-95-97 (right*) .. 3.53 441832—2662-92 (right*) 2.00</p> <p>REAR WINDOW OUTSIDE LOWER RIM JOINT FINISHING COVER 432312—2452-67-72; 2552-72- 77; 2652-72-77 (right*)..... .91</p>	<p>432282—2462-65-92-95-98; 2562-65-92-95 (right*)59 447001—2662-65-92-95-97 1.03</p> <p>20 REAR WINDOW MOLDINGS, UPPER 432271—2452-72; 2552-72; 2652-72 (center) 1.50 432224—2452-72; 2552-72 2652-72 (right*) 1.02 425660—2462-65-92-95-98; 2562-65-92-95 (right*) 1.55 435614—2467; 2577; 2677 (center) 1.02 435568—2467; 2577; 2677 (right*)64 441526—2662-65-92-95-97 (right*) 1.51 447118—2662-65-92-95-97 (side) (right*) 3.45</p> <p>21 REAR WINDOW MOLDINGS, DIVIDER 432208—2452-72; 2552-72; 2652-72 (right*) 2.33 435560—2467; 2577; 2677 (right*) 3.88</p> <p>REAR END CENTER PANEL 424170—2452-62-65-67-69-72- 92-95-98; 2552-62-65-72-77- 79-92-95; 2652-62-65-72-77- 79-92-95-97 (lower*) 2.73</p>	<p>425455—2452-72; 2552-72; 2652-72 (upper) 7.49 435378—2467; 2577; 2677 (upper) 5.59 424173—2469; 2579; 2679 (up- per) 21.40 447070—2662-65-92-95-97 (upper) 8.25</p> <p>REAR END CENTER LOWER PANEL MOLDING 422518—2452; 2552 4.35</p> <p>REAR END CENTER DOOR PANEL SUPPORT 424315—All 24th, 25th & 26th .16</p> <p>REAR END PANEL DRAIN GUTTER 424216—2452-62-65-67-72-92- 95-98; 2552-62-65-72-77-92- 95; 2652-62-65-72-77-92-95-97 (upper)70 424217—2469; 2579; 2679 (upper) 1.12 424218—2452-62-65-67-72-92- 95-98; 2552-62-65-72-77-92- 95; 2652-62-65-72-77-92-95-97 (right*) 1.23 432804—2469; 2579; 2679 (right) N.P. 435111—2469; 2579; 2679 (left) N.P.</p>
--	---	---

STEERING GEOMETRY

1952 to 1953

CASTER: 1951 all except 400 $1\frac{3}{4}$ degrees positive to $2\frac{1}{2}$ degrees positive. 1951 400 $\frac{1}{2}$ degree positive to $1\frac{1}{2}$ degrees positive. 1952-53 all 1 degree negative to $1\frac{1}{2}$ degrees negative.

CAMBER: 1951 all except 400 $\frac{1}{4}$ degree negative to $\frac{1}{4}$ degree positive. 1951 400 $\frac{1}{2}$ degree negative to $\frac{1}{2}$ degree positive. 1952-53 all 0 to $\frac{3}{4}$ degree positive.

TOE-IN: 0 to $\frac{1}{16}$ inch.
TOE-OUT TURNS (TURNING RADIUS):
 Outer wheel 20 degrees. Inner wheel 23 degrees.
KING PIN INCLINATION: $5\frac{3}{4}$ degrees.

ADJUSTMENTS

CASTER: Is controlled by full turns of the upper eccentric pin.

CAMBER: Is controlled by eccentric upper pin and full range is obtained in one-half turn.

TOE-IN: Should be adjusted at both tie-rods to centralize steering.

PACKARD 1951 thru 1953 BODY PARTS**24th, 25th & 26th Series. ALL BODY STYLES****Front Suspension Parts***1951 thru 1953*

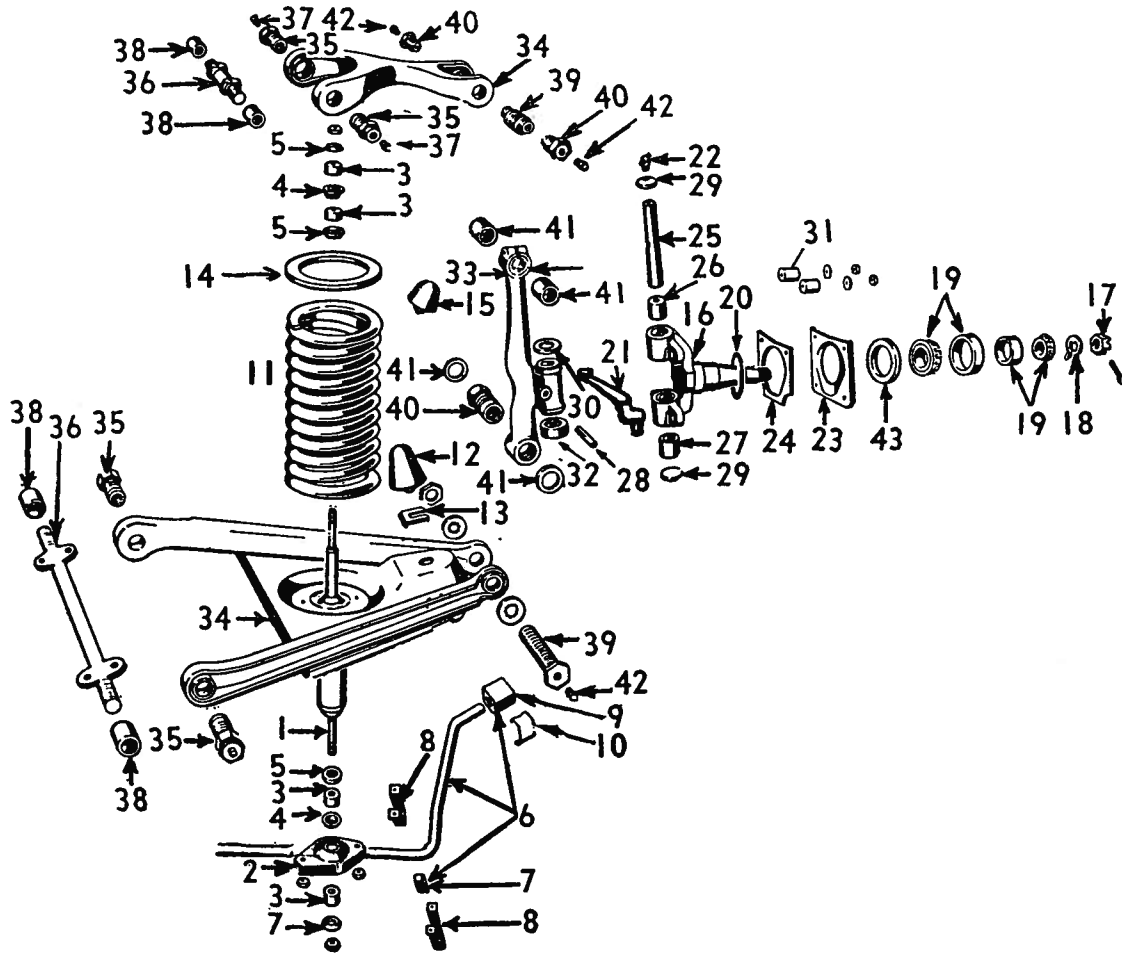
1 SHOCK ABSORBER			13 SPRING SEAT BUMPER RETAINER		25 KNUCKLE PIN	
419680—2401, 2531	5.75		216724—All 24th, 25th & 26th10	367761—2401-02-06, 2501-02-06- 31, 2601-02-06-11-26-31	1.87
419682—2402-06	5.75				240030—2413, 2513, 2613-33...	2.41
419690—2413, 2513	10.50		14 SPRING INSULATOR		26 UPPER KNUCKLE PIN BEARING	
419683—2501-02-06	5.75		367709—All 24th, 25th & 26th29	339774—2401-02-06, 2501-02-06- 31, 2601-02-06-11-26-31 (use with power steering).....	1.45
446233—2601-02-06-11-31-33 ..	5.75		15 SPRING REBOUND BUMPER		384001—2413, 2513, 2613-33 (bushing)75
446235—2613	10.50		351689—All 24th48	27 LOWER KNUCKLE PIN BUSHING	
446361—2626	5.75		433804—All 25th & 26th.....	.44	410552—2401-02-06, 2501-02-06- 31, 2601-02-06-11-26-3186
2 SHOCK ABSORBER BRACKET			16 STEERING KNUCKLE ASSEMBLY		384002—2413, 2513, 2613-33...	.75
419667—All 24th, 25th & 26th43		403751—2401-02-06, 2501-02- 06-31, 2601-02-06-11-26-31 ..	13.38	28 KNUCKLE PIN LOCK PIN	
3 SHOCK ABSORBER GROMMET			384000—2413, 2513, 2613-33...	13.38	G443053—2401-02-06, 2501-02- 06-31, 2601-02-06-11-26-31 ..	.05
433809—All 24th & 25th.....	.20		443908—2501-02-06-31, 2601-02- 06-11-26-31-33 (use with power steering)	13.38	G443071—2413, 2513, 2613-33...	.10
446237—All 26th10		17 WHEEL BEARING ADJUSTING NUT		29 KNUCKLE PIN PLUG	
4 GROMMET GUIDE			G122816—2401-02-06, 2501-02- 06-31, 2601-02-06-11-26-31 ..	.16	G117922—2401-02-06, 2501-02- 06-31, 2601-02-06-11-26-31 (lower)05
351173—All 24th & 25th.....	.20		302721—2413, 2513, 2613-33 (inner)27	373919—2401-02-06, 2501-02-06- 31, 2601-02-06-11-26-31 (upper)11
5 GROMMET RETAINER			302684—2413, 2513, 2613-33 (outer)21	G117923—2413, 2513, 2613-33..	.05
351174—All 24th, 25th & 26th11		18 BEARING NUT LOCK WASHER		30 KNUCKLE PIN SHIM	
6 STABILIZER ROD AND BEARING ASSEMBLY			334995—2401-02-06, 2501-02-06- 31, 2601-02-06-11-26-3116	302958—2401-02-06, 2501-02-06- 31, 2601-02-06-11-26-31 (.053")40
426420—All 24th & 25th.....	7.49		302720—2413, 2513, 2613-33...	.16	237083—2413, 2513, 2613-33 (.053")75
443993—All 26th	7.79		19* WHEEL BEARING ASSEMBLY		31 KNUCKLE TO SUPPORT PLATE SPACER	
7 STABILIZER ROD BEARING			348640—2401-02-06, 2501-02-06- 31, 2601-02-06-11-26-31 (inner)	4.68	367680—2401-02-06, 2501-02-06- 31, 2601-02-06-11-26-3143
351295—All 24th, 25th & 26th70		176593—2413, 2513, 2613-33 (inner)	7.47	32 KNUCKLE PIN THRUST BEARING	
8 STABILIZER ROD BEARING BRACKET			379474—2401-02-06, 2501-02-06- 31, 2601-02-06-11-26-31 (outer)	4.88	300278—2401-02-06, 2501-02-06- 31, 2601-02-06-11-26-3154
419742—All 24th, 25th & 26th (inner)38		97056—2413, 2513, 2613-33 (outer)	6.77	240032—2413, 2513, 2613-33...	1.18
419743—All 24th, 25th & 26th (outer)38		20 KNUCKLE TO SUPPORT PLATE GASKET		33 KNUCKLE SUPPORT	
9 STABILIZER ROD BUSHING			367681—All 24th, 25th & 26th05	373247—2401-02-06, 2501-02-06- 31, 2601-02-06-11-26-31 (left*)	8.03
419741—All 24th, 25th & 26th27		21 KNUCKLE LEVER		382968—2413, 2513, 2613-33 (left*)	9.10
10 STABILIZER ROD BUSHING CLIP			119782—2401-02-06, 2501-02-06- 31, 2601-02-06-11-26-31 (left*)	3.48	34 SUPPORT ARM ASSEMBLY	
419740—All 24th, 25th & 26th16		426701—2413, 2513, 2613-33 (left*)	3.75	419676—All 24th, 25th & 2613- 33 (upper)	5.35
11 FRONT SPRING			22 KNUCKLE PIN LUBRICATION FITTING		443455—2601-02-06-11-26-31 (upper)	5.35
395720—2469-72, 2572-79	10.70		G191350—2401-02-06, 2501-02- 06-3127	419774—2401-02-06, 2501-02-06- 31 (lower)	8.03
382374—2452-69-72, 2552-72-79 (Ultramatic)	10.70		G109350—2413, 2513, 2613-33..	.11	443786—2601-02-06-11-26-31 (lower)	12.00
387806—2462-65-67-92-95-98, 2562-65-77-92-95	10.70		G110309—2601-02-06-11-26-31..	.15	426724—2413, 2513, 2613-33 (lower)	9.32
395720—2462-65-67-92-95-98, 2562-65-77-92-95 (Ultra- matic)	10.70		23 OIL GUARD		35 INNER SUPPORT ARM BUSHING	
446570—2601-11	10.70		367674—2401-02-06, 2501-02-06- 31, 2601-02-06-11-26-3130	419673—All 24th, 25th & 26th & 2613-33 (upper).....	.54
446326—2601-11 (Ultramatic) ..	10.00		232776—2413, 2513, 2613-33...	.38	433648—All 24th, 25th & 2613- 33 (lower)	1.07
446325—2602-79 (Ultramatic) ..	10.00					
446330—2606	10.00					
446442—2677	10.70					
446326—2677 (Ultramatic) ..	10.00					
387552—2626	10.70					
446443—2678	10.70					
446444—2678 (Ultramatic) ..	10.70					
446326—2679	10.00					
446325—2679 (Ultramatic) ..	10.00					
12 SPRING SEAT BUMPER						
351688—All 24th & 25th.....	1.07					
446070—All 26th	1.00					

* Opposite side one part number higher

BODY PARTS 1951 thru 1953 PACKARD

24th, 25th & 26th Series. ALL BODY STYLES

<p>443244—2601-02-06-11-26-31 (upper) 1.07</p> <p>443795—2601-02-06-11-26-31 (lower) 1.15</p> <p>36 INNER SUPPORT ARM BUSHING BRACKET</p> <p>419678—All 24th, 25th & 2613 (upper) 2.14</p> <p>443452—2601-02-06-11-26-31 (upper) 4.28</p> <p>443468—2633 (upper) 2.14</p> <p>373261—All 24th, 25th & 2613-33 (lower) 4.28</p> <p>Not listed—2601-02-06-26-31 (lower)</p> <p>37 UPPER INNER SUPPORT ARM BUSHING OILER</p> <p>G109354—All 24th, 25th & 2613-3311</p> <p>Not listed—2601-02-06-11-26-31.</p>	<p>38 SUPPORT ARM INNER BUSHING SEAL</p> <p>419733—All 24th (upper)..... .21</p> <p>433864—All 25th & 2613-33 (upper)20</p> <p>373354—All 24th, 25th & 2613-33 (lower)38</p> <p>Not listed—2601-02-06-11-26-31.</p> <p>Not listed—2601-02-06-11-26-31.</p> <p>SUPPORT PIVOT PIN KIT (Not Illustrated)</p> <p>410903—All 24th, 25th & 26th (upper) 2.14</p> <p>394269—All 24th, 25th & 26th (lower) 2.14</p> <p>39 SUPPORT PIVOT PIN</p> <p>367752—All 24th, 25th & 26th (upper)64</p> <p>373263—All 24th, 25th & 26th (lower)64</p>	<p>40 SUPPORT PIVOT PIN BUSHING</p> <p>419661—All 24th, 25th & 26th (upper)54</p> <p>373262—All 24th, 25th & 26th (lower)54</p> <p>41 SUPPORT PIVOT PIN SEAL</p> <p>387817—All 24th, 25th & 26th (upper)05</p> <p>377544—All 24th, 25th & 26th (lower)21</p> <p>42 SUPPORT PIVOT PIN LUBRICATION FITTING</p> <p>G119512—All 24th, 25th & 26th (upper)11</p> <p>G110347—All 24th, 25th & 26th (lower)05</p> <p>43 HUB OIL SEAL ASSEMBLY</p> <p>329536—2401-02-06, 2501-02-06-31, 2601-02-06-11-26-3148</p>
--	--	---



Front Suspension

* Opposite side one part number higher

