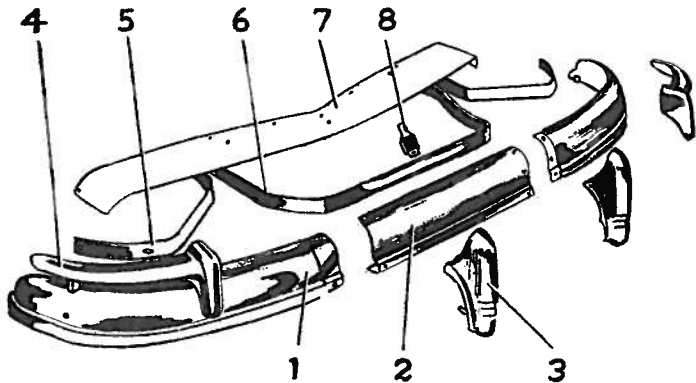


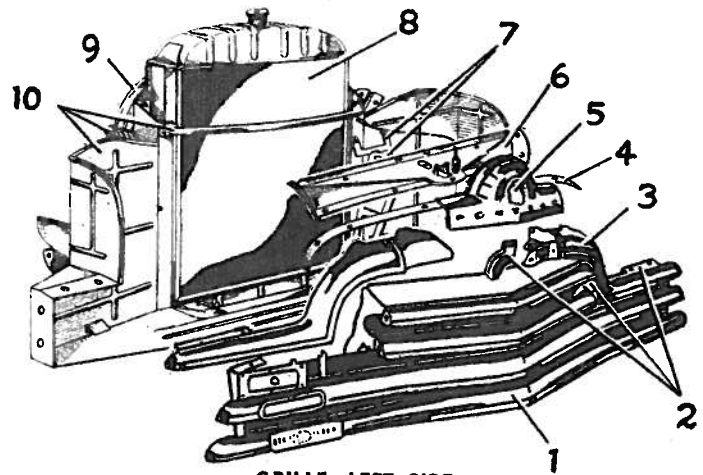
PONTIAC STREAMLINER 1946 to 1948 BODY PARTS

Models 26 and 28. ALL BODY STYLES



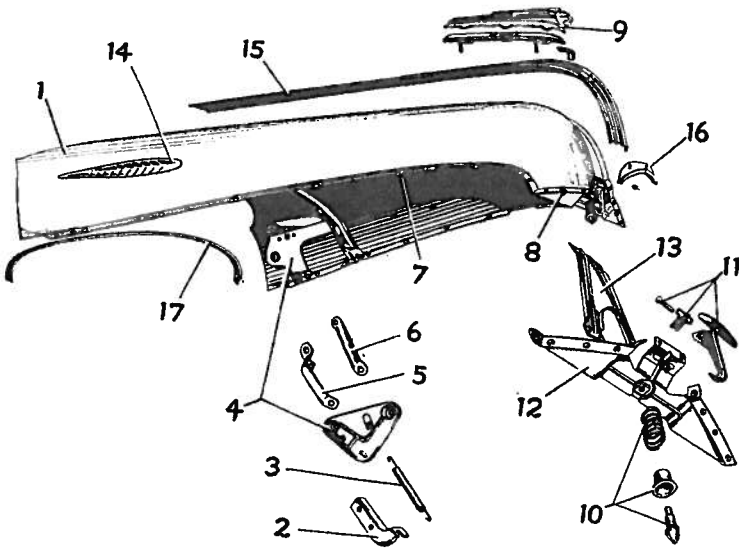
FRONT BUMPER, LEFT SIDE

Item	Part No.	Description	Price
1	508530	Bar, out.	14.25
2	508528	Bar, ctr.	11.25
3	509274	Guard, in.	5.50
4	508759	Guard, out.	5.75
5	508537	Back bar, out.	2.25
6	508535	Back bar, in.	5.50
7	506954	Apron, 46	4.90
7	510619	Apron, 47, 48	4.60
8	510258	Apron cushion	.12



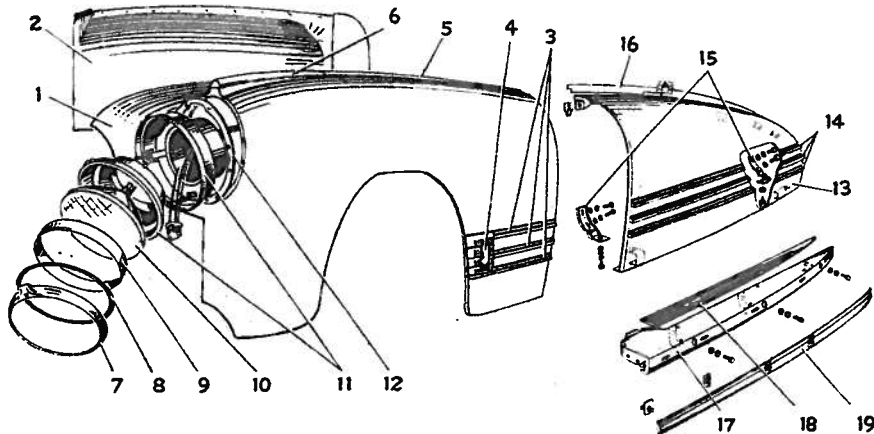
GRILLE, LEFT SIDE

Item	Part No.	Description	Price
1 Grille Assembly:			
	508870	Inner, 46	10.75
	508880	Outer, 46	10.75
	509597	1 pc., 47	44.00
	510697	1 pc., 48, less name plate & No. 1 blade	48.50
	508656	Center panel, 46	6.65
2 Retainer, rad. grille:			
	509537	Center, 47	1.20
	509539	Outer center, 47	1.20
	509541	Outer, 47	.50
	510554	Blade to vert. bar, 48	.06
3 508824—Molding, grille, 46			
	509567	Molding, grille, 47	8.00
	507128	Grille, sup., 46, 47	.85
	4 510526	Grille sup., 48	.85
5 Radiator Emblem Assembly:			
	508941	Emblem, 46	1.25
	508940	Name plate, 46	6.00
	509565	Name plate, 47	5.50
	510524	Name plate, 48	6.50
6 508867—Plate assy., hood catch, L., 46-47			
	6 3664616	Plate assy., hood catch, L., 48	3.40
	510012	Baffle, rad., up, 47	.85
	510534	Baffle, rad., up, 48	2.15
	7 506960	Brace, lower plate to rad sup., 46, 47	2.05
	7 510575	Brace, lower plate to rad. sup., 48	2.05
	8 3121015	Core, rad., 46, 47-26	56.65
	8 3121015	Core, rad., 48-26	56.65
	8 3115919	Core, rad., 46, 47, 48-28	70.45
	9 505355	Shroud, rad. to fan-26	2.00
	9 505436	Shroud, rad. to fan, 28	1.50
	10 506967	Sup., rad. shell with baffle, 46, 47	16.75
	10 510580	Sup., rad. shell with baffle, 48	16.75



FRONT FENDER, LEFT SIDE

Item	Part No.	Description	Price
1	507848	Fender, 46, 47	33.00
1	510471	Fender, 48	33.00
2	507152	Skirt	6.25
3	507098	Molding, side, 46	.65
3	510605	Molding, side, 48DLX	1.25
4	507579	Emblem, side, 46	1.45
5	507121	Molding, top	.80
6	507110	Ornament, H. L.	1.45
7	5932754	Headlamp door	2.70
8	914127	Seal retainer	.05
9	924534	Molding, inner	1.10
10	925000	Seal beam unit	1.25
11	924535	Lamp body	.65
12	507006	Gasket	.17
13	507837	Cap, 46, 47	7.50
13	510625	Cap, 48	7.50
14	507106	Molding, cap, 46	.95
14	510607	Molding, cap, 48DLX	1.90
15	507701	Suppor, cap, fr.	.10
15	418160	Suppor, cap, rear	.23
16	507895	Anti-squeak	.95
17	507375	Rocket panel ext.	4.30
18	507399	Mat	1.30
19	508803	Molding, fender & rock. ext.	2.50



HOOD, LEFT SIDE

Item	Part No.	Description	Price
1	508611	Panel, up., 46, 47	14.80
1	510495	Panel, up., 48	14.80
2	507258	Bracket, hinge	.50
3	507187	Spring, hinge	.75
4	508692	Hinge, w/reinf.	10.30
5	507255	Link, rear	.30
6	507253	Link, frt.	.30
7	503865	Bumper, fender	.06
8	506351	Bumper, plate	.06
9	508614	Ornament, 46	6.15
9	509591	Ornament, 47	4.00
9	510563	Ornament, 48	6.75
9	510652	Emblem, hood, 48	2.05
10 Pilot, Hood Lock:			
	506571	Pilot	.17
	506572	Spring	.05
	506573	Retainer	.06
11	508873	Hood, safety, 46, 47	.30
11	510572	Hood, assy., 48	.50
12	508871	Plate assy., up., 46, 47	3.05
12	510573	Plate assy., up., 48	3.05
13	507120	Brace, up., 46, 47, 48-26	.45
14	508626	Name plate, 46-26	1.45
14	508622	Name plate, 46-28	1.75
14	509531	Ornament, 47	1.75
14	510559	Ornament, 48-26	1.75
14	510580	Ornament, 48-28	2.00
15	508850	Grille, hood, 46, 47	10.95
15	510489	Grille, hood, 48	10.95
16	507087	Grille plate, 46, 47	1.25
17	4125517	Weatherstrip	1.15

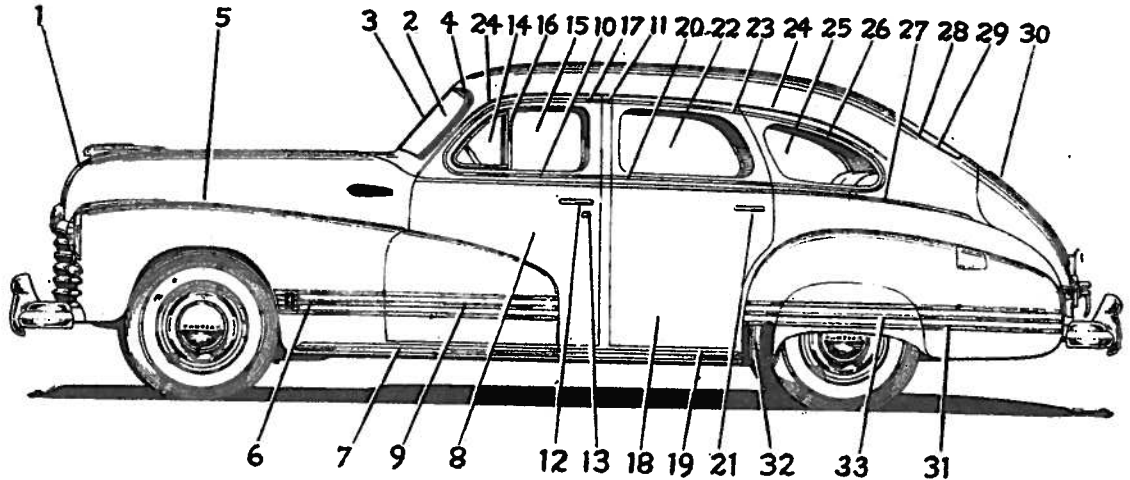
BODY PARTS 1946 to 1948 STREAMLINER PONTIAC

Models 26 and 28. ALL BODY STYLES

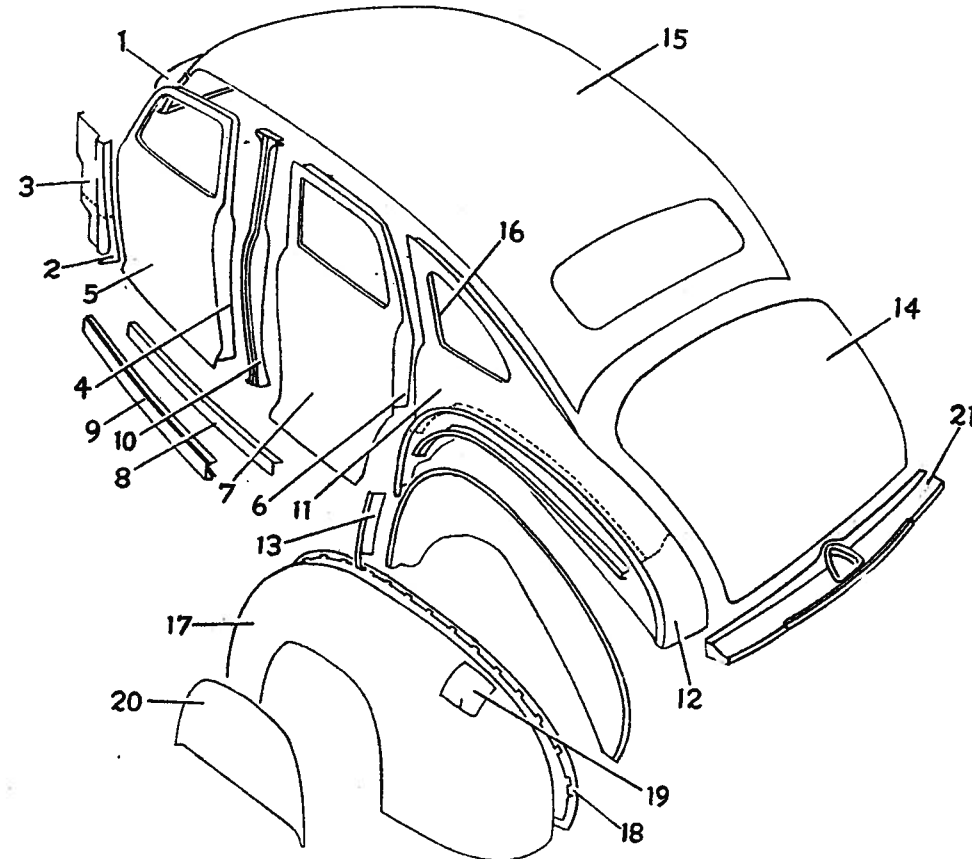
CAR BODY CHROME & TRIM MOULDINGS, LEFT SIDE

4 DOOR—W/¼ PL. WDW.

Item	Part No.	Description	Price
1	506830	Molding, hood grille, 46, 47	10.95
1	510489	Molding, hood grille, 48	10.95
2	4115799	Glass, W/S.	12.15
3	4131102	Molding, W/s. div.	1.90
4	4131030	Molding, W/s. reveal	3.50
5	507121	Molding, frt. fender top	.80
6	507098	Molding, frt. fender, side, 46	.90
6	510605	Molding, frt. fender, side, 48—26, 2809D	1.25
7	508803	Mold., frt. fend. & rock, pl. ext.	2.50
8	4145868	Front door cap, 46	43.65
9	507106	Mold., frt. dr. fend. cap, 46	.95
9	510607	Mold., frt. dr. fend. cap, 48—26, 2809D	1.90
10	4162780	Mold., frt. dr. belt, 48	2.50
11	Molding, Center Pillar:		
	4162783	Upper, 48	.60
	4120845	(2 pcs.) center reveal, 46, 47	.80
	4162794	(2 pcs.) center reveal, 48	.60
12	4146820	Handle, front dr.	2.25
13	4113800	Lock, front door	4.25
14	4114205	Vent. glass, frt. dr.	3.50
15	4114207	Glass, frt. dr.	7.50
16	4160242	Mold., wind. div. chnl., 46	3.15
16	4161399	Mold., wind. div. chnl., 47	3.15
16	4162768	Mold., wind. div. chnl., 48	3.15
17	4114138	Mold., wind. reveal, 46, 47	4.10
17	4162808	Mold., wind. reveal, 48	3.15
18	4164371	Rear door	42.50



Item	Part No.	Description	Price	Item	Part No.	Description	Price	Item	Part No.	Description	Price
19	508799	Mold., rck. pl. rear	1.75	26	Molding, Rear Quart. Wind. Reveal:				507021	Frt. center, 46	.50
20	4162786	Mold., rear dr. belt, 48	2.00		4114146	46, 47	2.70		507023	Frt. lower, 46	.50
21	4137826	Handle, rear dr.	2.25		4162814	48	2.25		507025	Rear upper, 46	.95
22	4114208	Glass, rear dr.	12.15	27	4162790	Molding, rear quart. belt, 48	3.60		507027	Rear center, 46	.95
23	Molding, Rear Door Wind. Reveal:			28	4119104	Glass, rear window	18.00		508554	Rear lower, 46	.95
	4114140	Upper, 46, 47	1.50	29	4131053	Mold., rear wind. reveal	5.30	32	Shield, Rear Fender Stone:		
	4114142	Lower, 46, 47	1.65	30	508703	Molding, rear lid, 46, 47	3.50		506905	1946, 47	2.00
	4162810	Upper, 48	1.15	31	510544	Molding, rear lid, 48	3.50		510740	1948, except "D's"	1.85
	4162812	Lower, 48	1.25		507019	Frt. upper, 46	.50		510594	1948, "D's"	3.25
24	4113820	Drip molding, frt.	.80					33	Molding, Rear Fender Shield Panel:		
24	4113824	Drip molding, rear	1.50						507558	Lower, 46	.80
25	4114149	Glass, rear, quart. wdw.	8.40						507559	Upper, 46	.80
									507560	Center, 46	.80



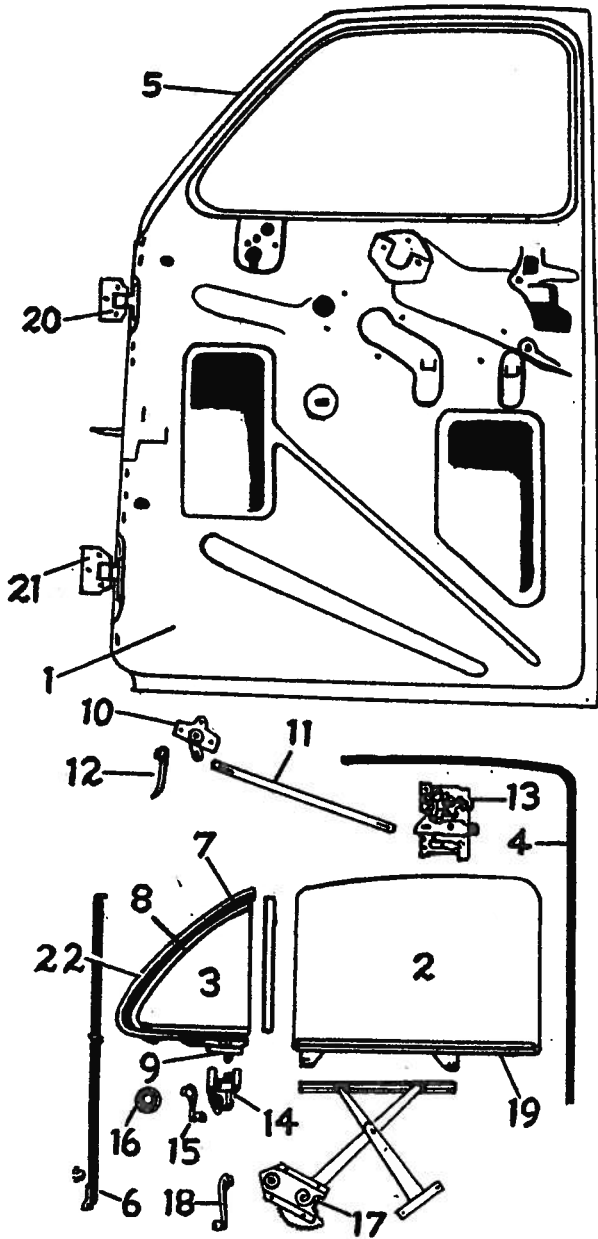
CAR BODY SHEET METAL, LEFT SIDE

4 DOOR—W/¼ PL. WDW.

Item	Part No.	Description	Price
1	4135056	Cowl & dash assy.	95.00
2	4165407	Leg assy., end pl. front	6.25
3	4135053	Cowl side panel	5.75
4	4145868	Front door	43.65
5	4145860	Frt. door panel	14.50
6	4164371	Rear door	42.50
7	4114696	Rr. door panel, 46, 47	14.95
7	4163967	Rr. door panel, 48	13.25
8	4132978	Rocker pl., in.	3.45
9	4148905	Rocker pl., out.	3.45
10	4148113	Center body pillar, 46, 47	14.00
10	4163854	Center body pillar, 48	14.00
11	4148099	Rear quar. side panel, out., 46, 47	47.85
12	4129765	Rear quar. cor. pl. low, rear, 46, 47	2.10
12	4162854	Rear quar. cor. pl. low, rear, 48	2.10
13	4550678	Panel, rear body lock pillar	4.50
14	4147957	Deck lid	29.00
15	4117282	Roof panel	55.30
16	4117265	Rear quart. side pl., in.	9.75
17	506828	Fender, rear, 46	13.00
17	507841	Fender, rear, 47	13.00
17	510635	Fender, rear, 48	13.00
18	601726	Weatherstrip	.12
19	505113	Door, fuel tank	1.25
20	507850	Shield, rear, fdr. panel, 46, 47	5.75
20	510667	Shield, rear, fdr. panel, 48	5.75
	506863	Deflector	1.50
21	4117225	Pan, rear end, 1946, 47	9.00
21	4162841	Pan, rear end, 1948	11.05

PONTIAC STREAMLINER 1946 to 1948 BODY PARTS

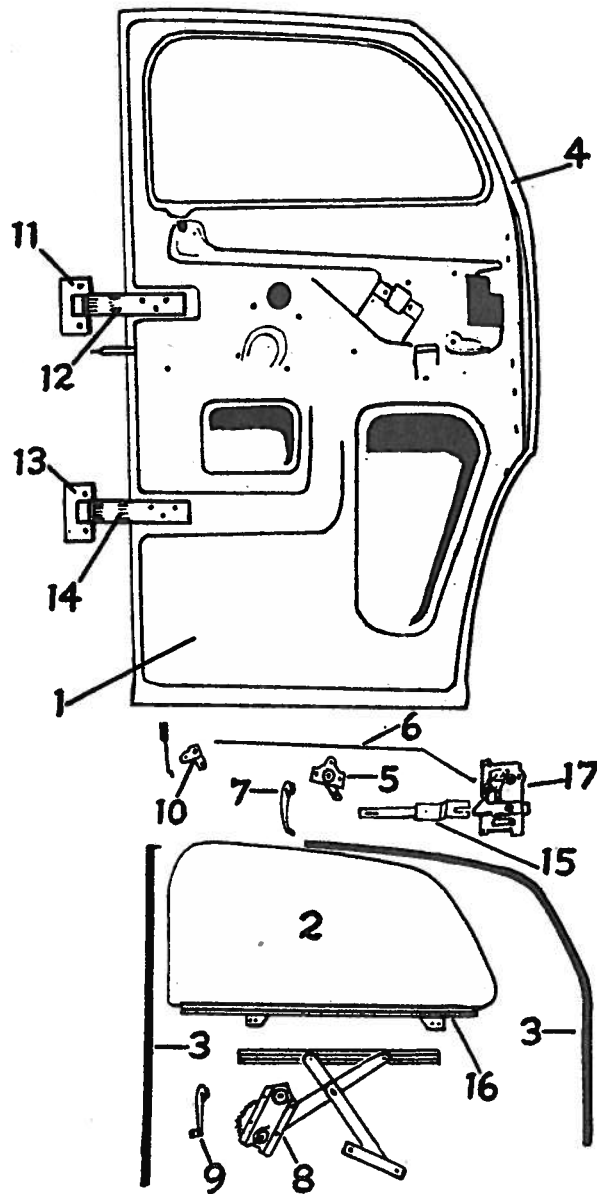
Models 26 and 28. ALL BODY STYLES



FRONT DOOR HARDWARE, LEFT SIDE

4-DOOR—W/¼ PL. WINDOW

Item Part No.	Description	Price	Item Part No.	Description	Price
1	4145868—Door	43.65	13	4113800—Lock assy.	4.25
2	4114207—Glass	7.50		4113807—Lever, lock ctrl.	.06
3	4114205—Vent. glass	3.50		4114134—Rod, lock ctrl.	.12
Molding, Garnish:					
	4147444—46	10.15	14	4099412—Regul., vent.	2.65
	4161150—47	10.15	15	4131198—Handle, vent. reg.	.65
	4162798—48	10.15	16	4146985—Escutcheon, 46, 47	.45
4	4045914—Channel, run	1.65	16	4551700—Escutcheon, 48	.45
5	4102157—W/strip, dr.	.85		4078002—Spring	.06
6 Channel, Division:					
	4180242—46	3.15	17	4113786—Regul., wind.	4.50
	4161398—47	3.15	18	4131350—Handle, wind. reg.	1.45
	4162768—48	3.15		4146985—Escutcheon, 46, 47	.45
7	4146466—W/strip, vent.	1.45		4551700—Escutcheon, 48	.45
8	4116340—Chnl., vent. glass	5.30		4090162—Spring	.06
9	4128368—Lock, vent.	.60		4131875—Striker, dr.	.85
10	4133004—Remote ctrl., lock	.85		4099828—Cap, bmpr.	.20
11	4114547—Link, con.	.30		4073913—Plate, wedge	.35
12	4091127—Handle, lock	1.05	19	4115133—Sash channel	1.05
	4146985—Escutcheon, 46, 47	.45	20	4132610—Hinge box, upper	2.75
	4551700—Escutcheon, 48	.45	21	4125273—Hinge box, lower	2.75
	4078002—Spring	.06		4149867—Link, check	.60
				4132087—Support, link	.30
			22	4132037—Vent. assy.	17.95



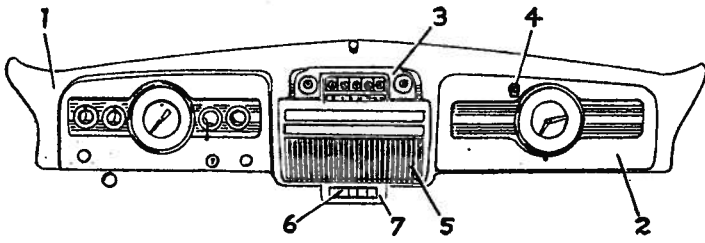
REAR DOOR HARDWARE, LEFT SIDE

4-DOOR—W/¼ PL. WINDOW

Item Part No.	Description	Price	Item Part No.	Description	Price
1	4164371—Door	42.50	8	4114730—Regul., wind.	4.50
2	4114208—Glass	12.15	9	4131350—Handle, wind. reg.	1.25
Molding, Garnish:					
	4147541—46	9.95		4146985—Escutcheon, 46, 47	.45
	4161152—47	9.95		4551700—Escutcheon, 48	.45
	4090162—Spring	.06		4090162—Spring	.06
	4162800—48	9.95	10	4113807—Lever, ln. lock ctrl.	.12
3	4078477—Channel, run	1.65	11	4114706—Hinge box, up.	1.65
4	4102157—W/strip, dr.	.85	12	4117059—Hinge strap, up.	1.35
5	4133004—Remote ctrl., lock	.85	13	4116619—Hinge box, low.	1.15
6	4131072—Link, con.	.35	14	4099759—Hinge strap, low.	1.35
7	4091127—Handle, lock	.90	15	4114410—Link, door check	.25
	4146985—Escutcheon, 46, 47	.45	15	4099843—Support, link	.30
	4551700—Escutcheon, 48	.45	16	4115135—Sash channel	.70
	4078002—Spring	.06	17	4125852—Lock assy.	4.25

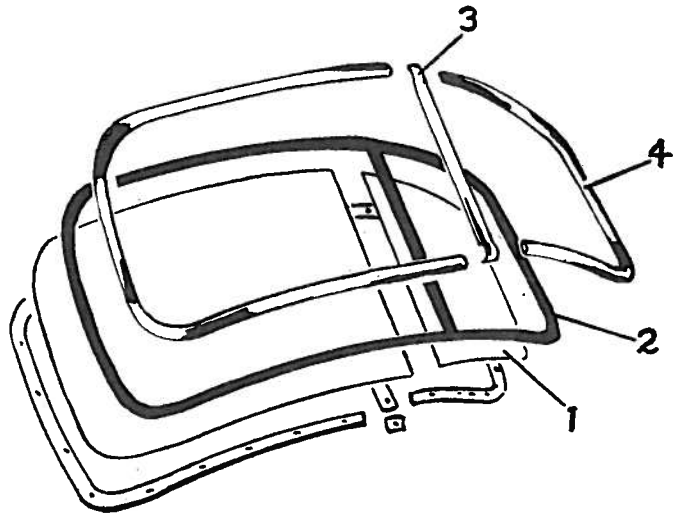
BODY PARTS 1946 to 1948 STREAMLINER PONTIAC

Models 26 and 28. ALL BODY STYLES



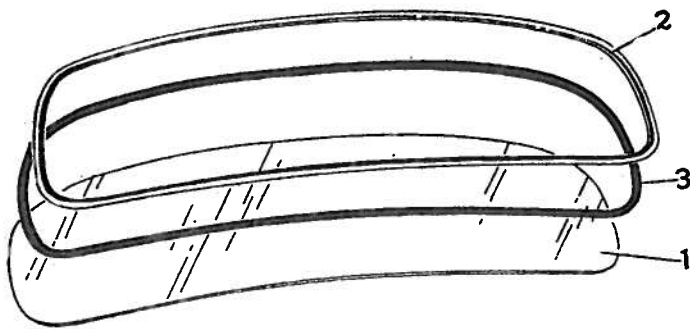
INSTRUMENT PANEL

Item Part No.	Description	Price	Item Part No.	Description	Price
1 Instrument Panel:					
4162025	White, 46, 47	11.25	3 508590	Plate, finish, W/O rad.	2.50
4147014	W/transfer, 46	16.50	4 4099315	Knob, door	.65
4162025	Painted, 47	11.50	5 508580	Panel, rad., grille	4.60
4162845	W/transfer, 48	15.00	5 509625	Panel, rad., W/name, 47, 48-28	1.00
4146886	Transfer, 46	2.75	6 506904	Panel, ash tray, 46	1.15
4162743	Transfer, 48	2.75	6 510982	Panel, ash tray, 48	1.50
2 Door, Compartment:					
4146863	46-26	8.50	7 510706	Panel, heat control	1.60
4146771	46-28	10.35	7 507724	Transfer, panel, 46, 47	.25
4161120	47	8.50	7 510705	Transfer, panel, 48	.10
4162023	Prime, 47, 48	8.50			
4162470	48	8.65			
3 508583—Plate, finish, W/rad.					
		2.50			



WINDSHIELD ASSEMBLY, LEFT SIDE 4-DOOR—W/¼ PL. WIND.

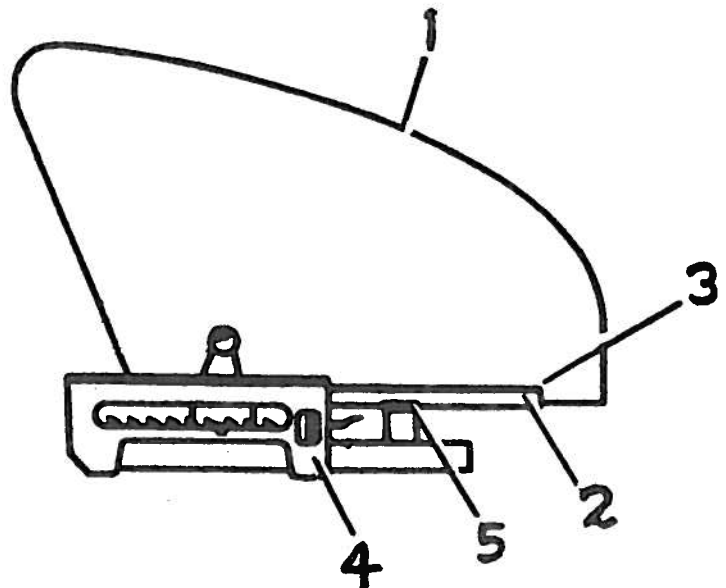
Item Part No.	Description	Price	Item Part No.	Description	Price
1 4116799	Glass	12.15	4162784	48	.80
Escutcheon:					
4146879	46	.23	4146783	Mirror, R. view, 47	1.75
4161339	47	.23	513066	Mirror, R. view, 46, 48	1.75
4162760	48	.23	4160895	Sunshade, 46, 47	3.75
Garnish Molding:					
4146875	46	3.75	4163801	Sunshade, 48	3.75
4161333	47	3.75	4113902	Support	1.25
4162792	48	3.75	2 4114945	Channel, W/S glass	4.90
Molding, W/S Division, In.:					
4146881	46	.80	3 4131102	Molding, division, reveal, W/S	1.90
4161340	47	.80	4 4131030	Molding, reveal, W/S	3.50



REAR WINDOW

4-DOOR—W/¼ PL. WIND.

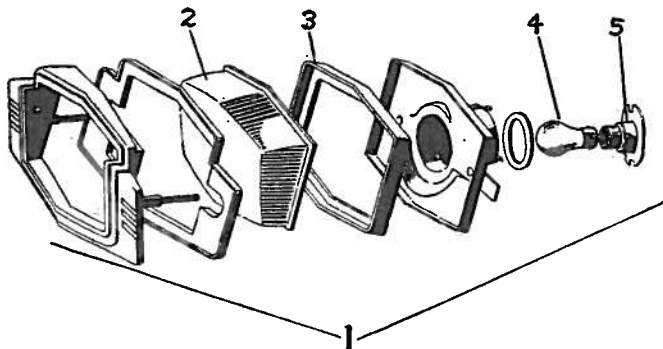
Item Part No.	Description	Price
1 4119104	Glass	18.00
2 4131053	Molding, reveal	5.30
3 4125388	Channel, glass	2.75
3 4125208	Channel, sealing	1.15



REAR QUARTER WIND. HARDWARE, LEFT SIDE

4-DOOR—W/¼ PL. WINDOW

Item Part No.	Description	Price
1 4114149	Glass	8.40
2 4114728	Sash channel, low, W/reg.	2.60
3 603954	Filler, low chan.	1.90
Molding, Garnish:		
4147764	46	8.95
4161156	47	8.95
4162802	48	8.95
4 4099974	Cam	.35
5 4131052	Bumper	.06



REAR & TAIL LAMPS, LEFT SIDE

Item Part No.	Description	Price
1 Tail Lamp Assembly:		
927135	46, 47	5.10
927605	W/bracket 48	5.80
2 5931535	Lens, 46, 47	.85
2 5937590	Lens, 48	.95
3 5931534	Gasket, 46, 47	.10
3 5937590	Gasket, 48	.20
4 145416	Bulb	.33
5 923598	Socket assy., 46, 47	.20
5 5937588	Socket assy., 48	.45

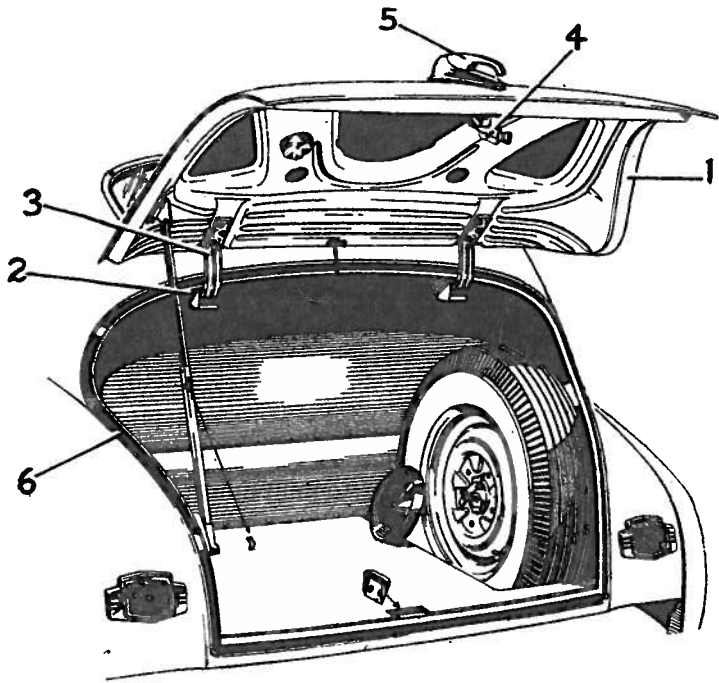
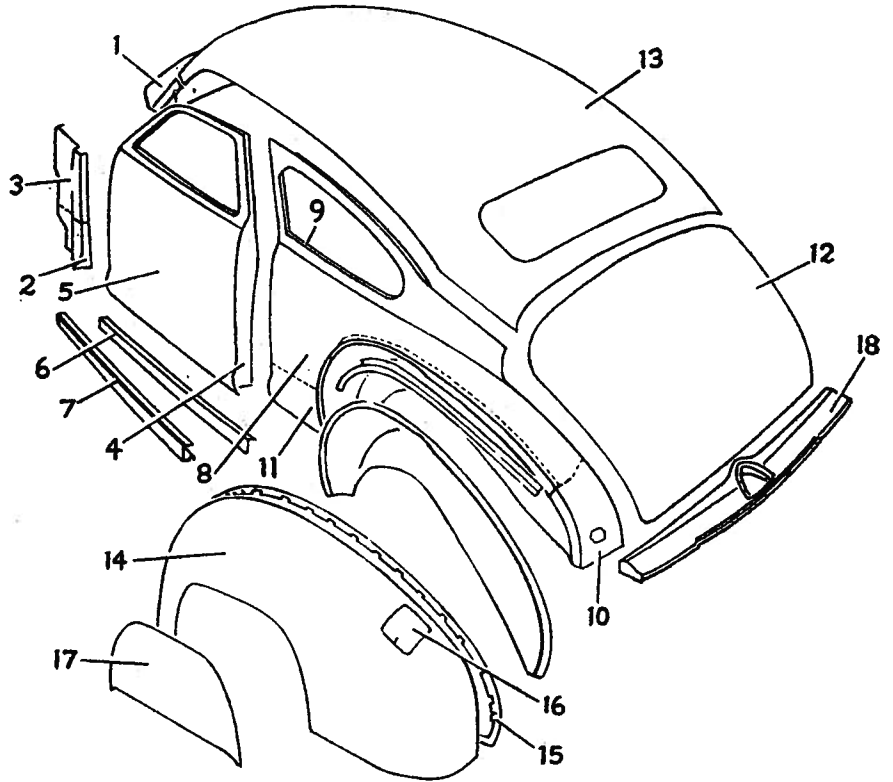
PONTIAC STREAMLINER 1946 to 1948 BODY PARTS

Models 26 and 28. ALL BODY STYLES

CAR BODY SHEET METAL LEFT SIDE

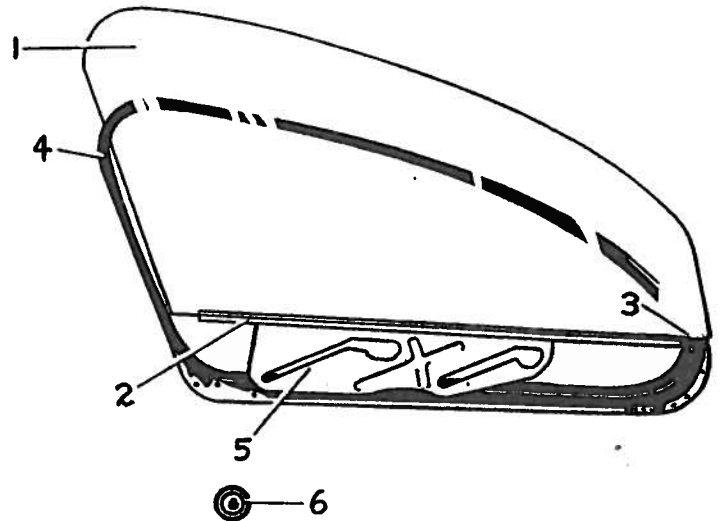
2-DOOR—CLOSED TYPES

Item	Part No.	Description	Price
1	4135056	Cowl & dash assy.	95.00
2	4165407	Leg assy., end pl., front	6.25
3	4135053	Cowl side panel	5.75
4	4145852	Front door	46.15
5	4145844	Front door panel, out.	16.95
6	4132978	Rocker panel, in.	3.45
7	4148905	Rocker panel, out.	3.45
8	4148097	Rear quart. side pl., out.	47.85
9	4116701	Rear quart. side pl., in.	13.10
10	Rear Quarter Corner Panel, Low Rear:		
	4129767	—46, 47	2.10
	4162852	—48	2.10
11	4550678	Panel, Rr. body lock pillar	4.50
12	4146960	Deck lid	29.00
13	4117850	Roof panel	55.30
14	506828	Fender, rear, 46	13.00
14	507841	Fender, rear, 47	13.00
14	510635	Fender, rear, 48	13.00
15	601726	Weatherstrip	.12
16	505113	Door, fuel tank	1.25
17	507850	Shield, Rr. fdr. panel, 46, 47	6.50
17	510667	Shield, Rr. fdr. panel, 48	6.50
	506863	Deflector	1.50
18	4117226	Pan, rear end, 1946, 47	9.00
18	4162842	Pan, rear end, 1948	11.05



REAR DECK LID, LEFT SIDE ALL MODELS

Item	Part No.	Description	Price	Item	Part No.	Description	Price
1	4146960	Deck lid, 2607	29.00	5	4125644	Handle, lock	3.65
1	4147957	Deck lid, 2609	24.50	6	4131754	W/strip., all, 1946, 47, 48	3.95
2	4120766	Hinge box, 2607	1.50	6	4162616	W/strip., lower, 1948	.95
2	4120764	Hinge box, 2609	1.50				
3	4120762	Hinge strap	2.30				
4	4129651	Deck lock	2.75				



REAR QUARTER WIND. HARDWARE, LEFT SIDE 2-DOOR—CLOSED TYPES

Item	Part No.	Description	Price
1	4114152	Glass	12.30
2	4125718	Sash channel, low.	.90
3	603954	Filler, low chan.	1.90
4	4102157	W/strip.	.85
Molding, Garnish:			
	4146870	—46	9.50
	4161154	—47	9.50
	4162804	—48	9.50
	4114159	Regul., wind.	3.80
	4131350	Handle, reg.	1.25
5	4099974	Cam	.35
6	4551700	Escutcheon	.45
	4131052	Bumper	.06

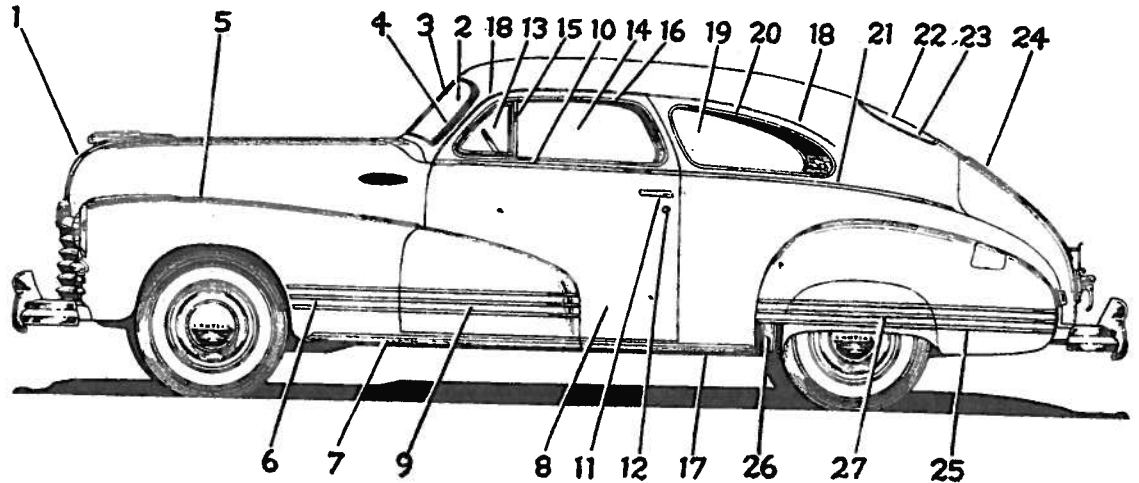
BODY PARTS 1946 to 1948 STREAMLINER PONTIAC

Models 26 and 28. ALL BODY STYLES

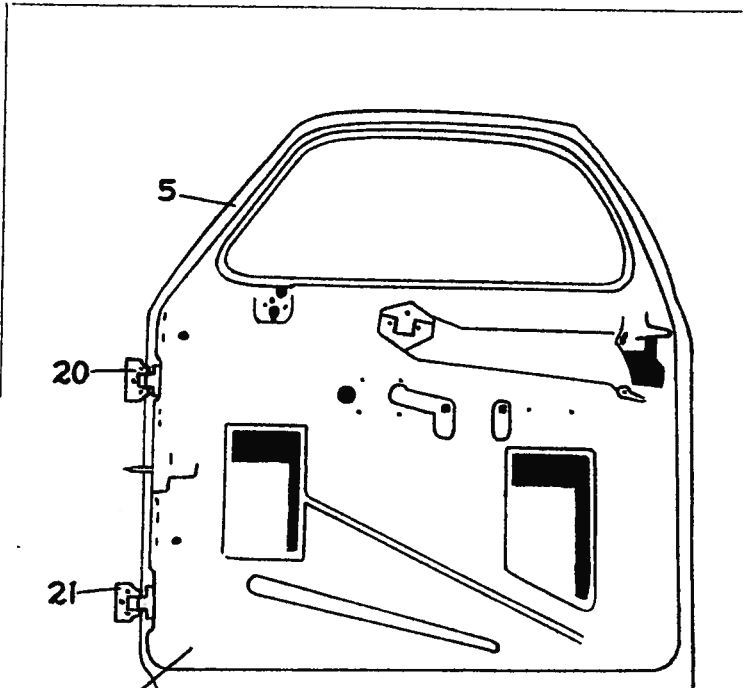
CAR BODY CHROME & TRIM MOLDINGS, LEFT SIDE

2-DOOR-CLOSED TYPES

Item Part No.	Description	Price
1 506850	Molding, hood grille, 46, 47	10.95
1 510489	Molding, hood grille, 48	10.95
2 4115799	Glass, W/S	12.15
3 4131102	Molding, W/S div. reveal	1.90
4 4131030	Molding, W/S reveal	3.50
5 507121	Molding, frt. fndr., top	.80
6 507098	Mold., frt. fndr., side, 48	.90
6 510605	Mold., frt. fndr., side, 48-26, 2807D	1.25
7 508803	Mold., frt. fndr. & rck. pl. ext.	2.50
8 4145852	Front door	46.15
9	Molding, Frt. Door Fndr. Cap:	
507106-46		.95
510607-48-26, 2807D		1.90
0 4162782	Molding, frt. dr. belt, 48	2.70
1 4146820	Handle, front dr.	2.25
2 4113800	Lock, front dr.	4.25
3 4114205	Vent. glass, frt. dr.	3.50
4 4114206	Glass, frt. dr.	13.10
5	Molding, Wind. Div. Chnl.:	
4160242-46		3.15
4161399-47		3.15
4162768-48		3.15
6	Molding, Window Reveal:	
4114136-46, 47-26, 2807		4.50
4162806-48-26, 2807		3.48
7 508799	Mold., rck. pl. Rr.	1.75
3 4113820	Drip mold., front.	.80
3 4113822	Drip mold., rear.	1.15
3 4114152	Glass, Rr. quart. wind.	12.30
3	Molding, Rr. Quart. Wind. Reveal:	
4114144-46, 47		3.85
4162816-48		2.95
1	Molding, Rear Quarter Belt:	
4162788-48		4.00
1	4119104-Glass, Rr. window	18.00
1	4131053-Mold., Rr. window reveal	5.30



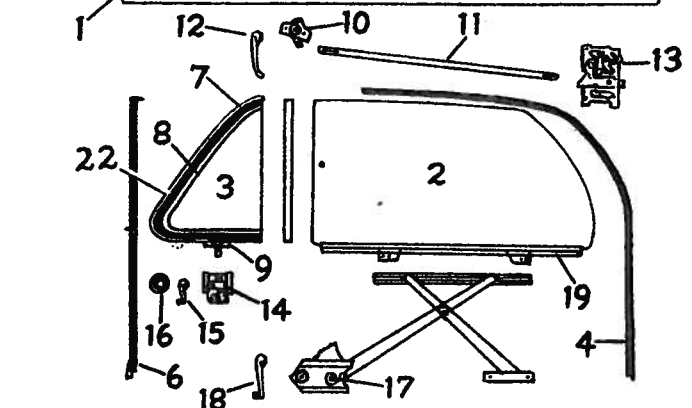
Item Part No.	Description	Price
24 508704	Molding, Rr. lid, 46, 47	4.50
24 510545	Molding, Rr. lid, 48	4.50
25	Molding, Rear Fender:	
507019	Frt. upper, 46	.50
507021	Frt. center, 46	.50
507023	Frt. lower, 46	.50
507025	Rear upper, 46	.95
507027	Rear center, 46	.95
508554	Rear lower, 46	.95
26	Shield, Rear Fender Stone:	
506905-1946, 47		2.00
510740-1948, except "D's"		1.85
510594-1948, "D's"		3.25
27	Molding, Rear Fender Shield:	
507558	Lower, 46	.80
507559	Upper, 46	.80
507560	Center, 46	.80



FRONT DOOR HARDWARE, LEFT SIDE

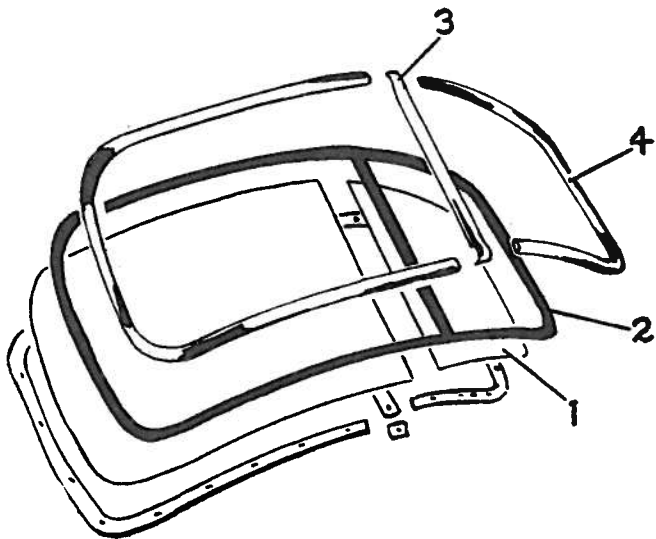
2-DOOR-CLOSED TYPES

Item Part No.	Description	Price	Item Part No.	Description	Price
4145852	Door	46.15	13 4113800	Lock assy.	4.25
4114206	Glass	13.10	4113807	Lever, lock ctrl.	.06
4114205	Vent. glass	3.50	4114132	Rod, lock ctrl.	.12
	Molding, Garnish:		14 4099412	Regul., vent.	2.65
4146868	46	11.35	15 4131198	Handle, vent. reg.	1.65
4161148	47	11.35	16 4146985	Escutcheon, 46, 47	.45
4162796	48	11.35	16 4551700	Escutcheon, 48	.45
4075477	Channel, run	1.65	4078002	Spring	.06
4102157	W/strip, dr.	.85	17 4113790	Regul., wind.	4.90
	Channel, Wind. Division:		18 4131350	Handle, wind. reg.	1.45
4160242	46	3.15	4146985	Escutcheon, 46, 47	.45
4161399	47	3.15	4551700	Escutcheon, 48	.45
4162768	48	3.15	4090162	Spring	.06
4146466	W/strip, vent.	1.10	4131875	Striker, dr.	.85
4116340	Chnl., vent. glass	5.30	4099828	Cap, bmpr.	.20
4128368	Lock, vent.	5.30	4073913	Plate, wedge	.35
4133004	Remote ctrl., lock	.85	19 4115131	Sash channel	1.30
4114548	Link, con.	.28	20 4132610	Hinge box, upper	2.75
4091127	Handle, lock	1.05	21 4125273	Hinge box, lower	2.75
4146985	Escutcheon, 46, 47	.45	4149867	Link, check	.60
4551700	Escutcheon, 48	.45	4132087	Support, link	.30
4078002	Spring	.06	22 4132037	Vent. assy.	17.95



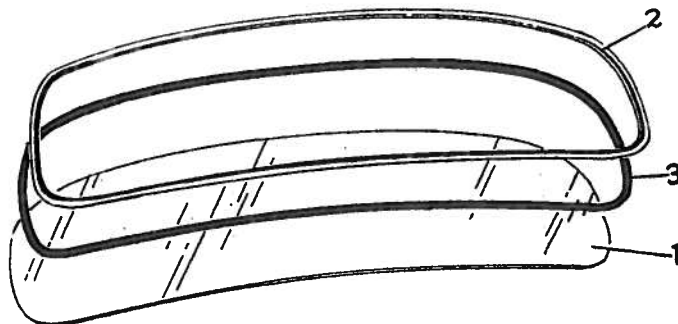
PONTIAC STREAMLINER 1946 to 1948 BODY PARTS

Models 26 and 28. ALL BODY STYLES



WINDSHIELD ASSEMBLY, LEFT SIDE 2-DOOR-CLOSED TYPES

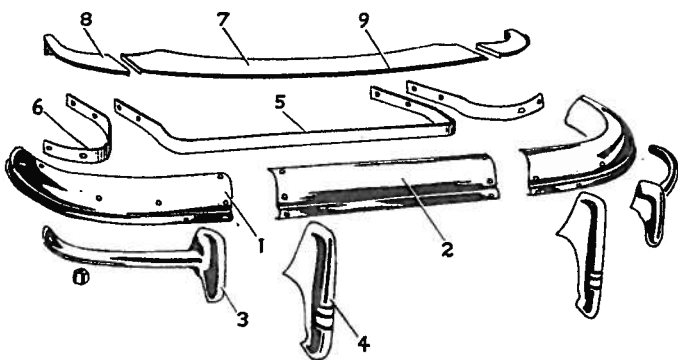
Item Part No.	Description	Price	Item Part No.	Description	Price
1 4115799	Glass	12.15	4162784	48	.80
Escutcheon:					
4146879	46	.23	4146783	Mirror, R. view, 47	1.75
4161339	47	.23	4161195	Mirror, R. view, 46, 48	1.75
4162760	48	.23	4160895	Sunshade, 46, 47	3.50
Garnish Molding:					
4146875	46	3.75	4163801	Sunshade, 48	3.75
4161333	47	3.75	4113902	Support	1.25
4162792	48	3.75	2 4114945	Channel, W/S glass	4.50
Molding, W/S Division, In.:					
4146881	46	.80	3 4131102	Molding, division, reveal, W/S	1.90
4161340	47	.80	4 4131030	Molding, reveal, W/S	3.50



REAR WINDOW

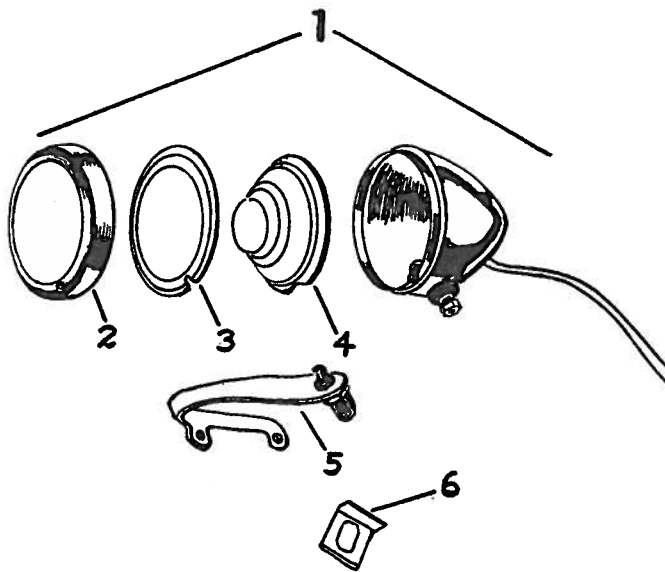
2-DOOR-CLOSED TYPES

Item Part No.	Description	Price
1 4119104	Glass	18.00
2 4131053	Molding, reveal	5.30
3 4125388	Channel, glass	2.75
3 4125208	Channel, sealing	1.15



REAR BUMPER, LEFT SIDE

Item Part No.	Description	Price
1 508566	Bar, outer	14.25
2 508563	Bar, center	11.25
3 508758	Guard, outer	5.75
4 508541	Guard, inner	5.50
5 508567	Back bar, in.	5.00
6 508569	Back bar, out.	2.25
7 508556	Apron	3.75
8 508571	Apron, ext. assy.	1.55
9 508555	Apron, weatherstrip	.12



BACK UP LAMP

Item Part No.	Description	Price	Item Part No.	Description	Price
1 927589	Back-up lamp assy. 46, 47, 48	3.95	5 509257	Support, switch, S.T.	.20
2 5931447	Door	.95	5 510438	Support, switch hyd., 48	.15
3 5935956	Gasket	.15	6 509258	Stop switch, S.T.	.10
4 5938015	Lens, 48, 46, 47	.45	6 510764	Stop switch, Hyd., 48	.10
5 5936850	Switch, 46, 47	.95			
5 510964	Switch, 48	.85			

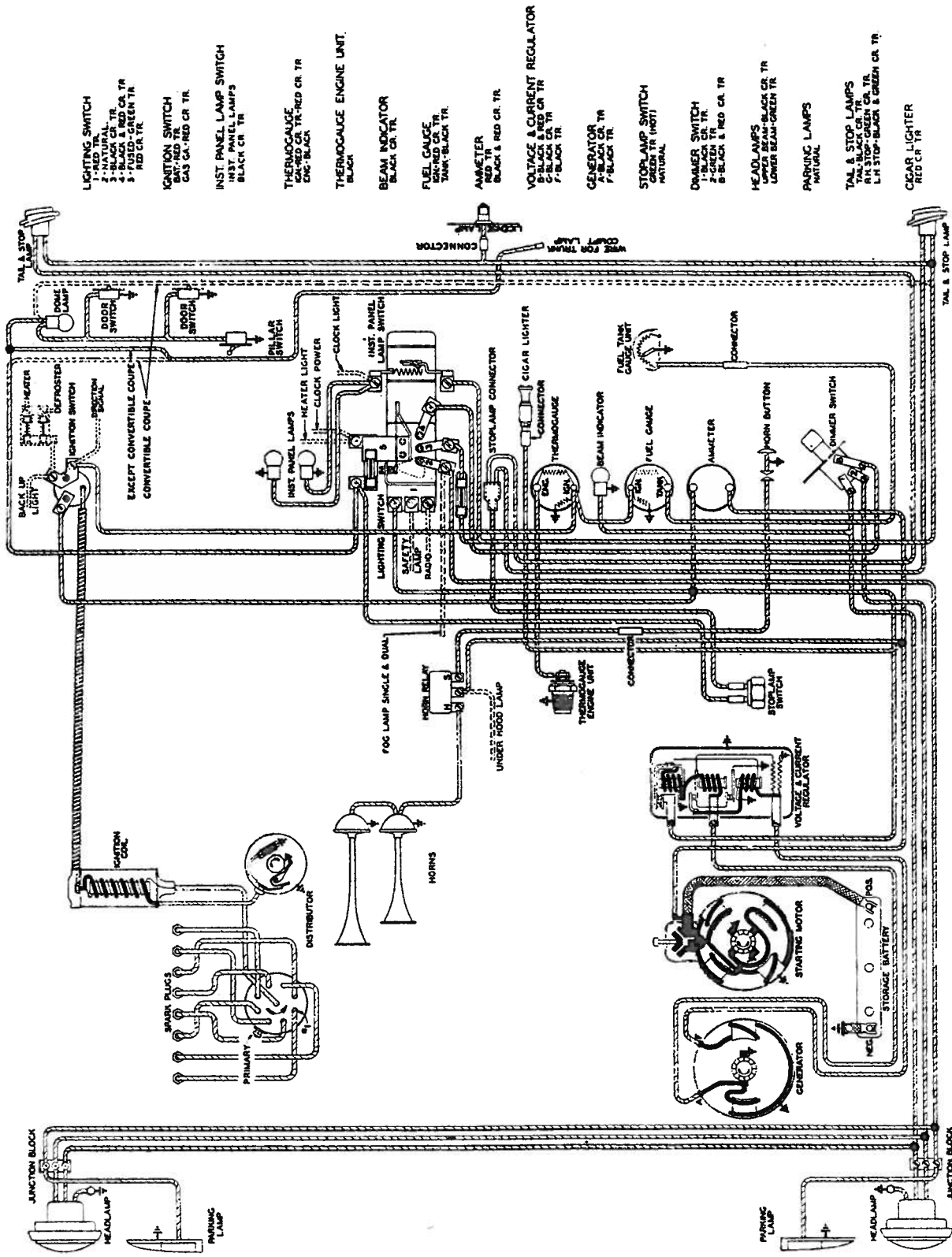
LICENSE LAMP ASSEMBLY

Not illustrated

Item Part No.	Description	Price
927421	Exe, 26, 28-07	6.60
927420	26, 28-07	6.60
508700	Pad, 26, 28-07	.23
3663783	Pad, 26, 28-09	.35
5932763	Retainer	.15
5932762	Gasket	.05
5932761	Lens	.35
5932806	Wire assembly	.35
142303	Bulb	.10
5935891	Bar, lic. sup.	.20

WIRING 1946 to 1948 STREAMLINER PONTIAC

Models 27 and 28. ALL BODY STYLES

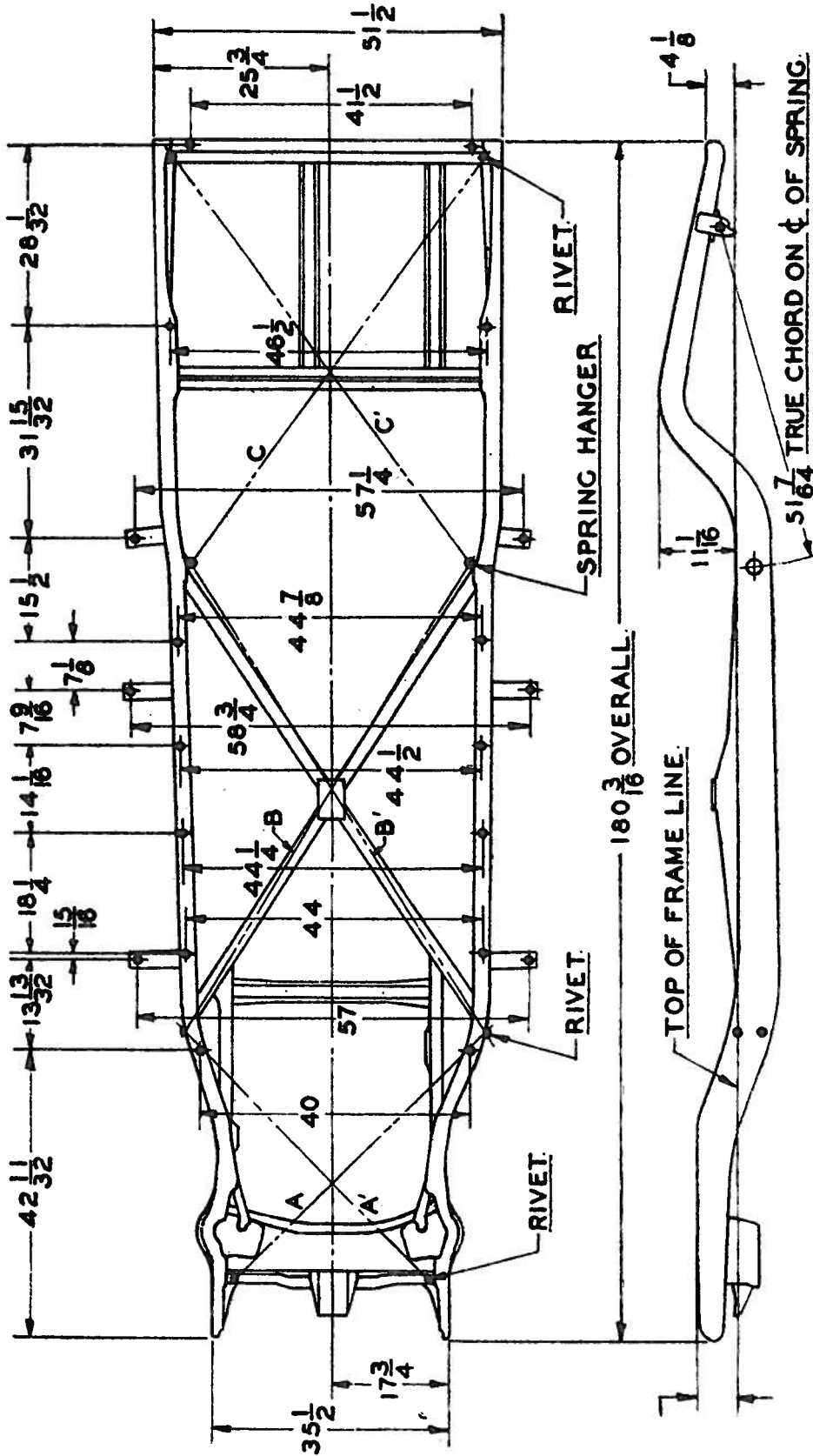


- LIGHTING SWITCH
1-RED TR.
2-NATURAL TR.
3-BLACK & RED CR. TR.
4-BLACK & RED CR. TR.
5-FUSED-GREEN TR.
6-RED CR. TR.
- IGNITION SWITCH
1-RED TR.
2-RED CR. TR.
- INST. PANEL LAMP SWITCH
BLACK CR. TR.
- THERMOCOUPE
1-RED CR. TR.
2-RED CR. TR.
3-RED CR. TR.
- THERMOCOUPE ENGINE UNIT.
BLACK.
- BEAM INDICATOR
BLACK CR. TR.
- FUEL GAUGE
1-RED CR. TR.
2-BLACK TR.
- AMMETER
1-RED TR.
2-RED CR. TR.
- VOLTAGE & CURRENT REGULATOR
1-RED CR. TR.
2-BLACK CR. TR.
3-BLACK TR.
- GENERATOR
1-BLACK CR. TR.
2-BLACK TR.
- STOP LAMP SWITCH
1-RED TR. (PUSH)
NATURAL.
- DIMMER SWITCH
1-RED CR. TR.
2-GREEN TR.
3-BLACK & RED CR. TR.
- HEADLAMPS
UPPER BEAM-BLACK CR. TR.
LOWER BEAM-GREEN TR.
- PARKING LAMPS
NATURAL.
- TAIL & STOP LAMPS
1-RED CR. TR.
2-BLACK CR. TR.
3-RED CR. TR.
4-RED CR. TR.
5-STOP-BLACK & GREEN CR. TR.
- CIGAR LIGHTER
RED CR. TR.

Wiring Diagram—8 Cylinder Models 27-28 (For Model 26 See Page 607)

PONTIAC STREAMLINER 1946 to 1948 FRAME

Models 26 and 28. ALL BODY STYLES



Frame Dimensions—Streamliner 6 & 8

FLAT RATE 1946 to 1948 STREAMLINER PONTIAC

Models 26 and 28. ALL BODY STYLES

Chilton Job No.	Chilton Labor Price	Chilton Job No.	Chilton Labor Price	Chilton Job No.	Chilton Labor Price	Chilton Job No.	Chilton Labor Price	Chilton Job No.	Chilton Labor Price	Chilton Job No.	Chilton Labor Price	Chilton Job No.	Chilton Labor Price	Chilton Job No.	Chilton Labor Price	Chilton Job No.	Chilton Labor Price	Chilton Job No.	Chilton Labor Price
A		A—continued		A—continued		B—continued		C—continued		D		E—continued		E—continued		F—continued		G	
1	4.00	6	20.00	20	4.00	9	4.50	3	28.00	1	4.00	2	28.00	12	12.00	2		1	
1a	3.50	7	3.00	20x	7.00	10	3.00	4	3.00	1a	3.50	3	32.50	13		3		2	
2	2.50	8	3.00			11	3.50	5	4.00	2	2.50	4	28.00	14	110.00	4		3	
3	6.50	9	5.25			12	4.00	6	4.50	3	6.50	5	32.00	15	95.00	5		4	
4	18.50	10	6.75			13	12.00	7	2.00	4	12.00	6	30.00	16	86.00	6		5	
4a		11	3.00	1	4.00	14	3.00	8	3.75	7	16.00	7x	16.00	17	48.00	7		6	
4b	4.00	12	6.75	1a	7.00	15	1.25	9		7x		8		18	20.00	8		7x	
4c	6.00	13	3.00	2	24.00			10	4.50	18	12.00	8		19	20.00	9		8	
5	12.75	14	3.50	3	32.50			11	3.50	20	4.00	9	70.00			10		9	
5a	4.00	15	1.00	4	3.00			12	4.00			9x	80.00			11		10	
5b	4.00	16		5	3.75			13				9y	75.00			12		11	
5c	4.00	17	1.00	6	4.50	1	4.00	14				10	45.00			13		12	
5d	6.00	18	10.00	7	2.00	1a	7.00	15	3.00			11	50.00			14		13	
				8	3.75	2	20.00	16	1.25	1	120.00			1a				14	

STEERING GEOMETRY

CASTER: 1/2 to 1 degree negative, 3/4 desired.

CAMBER: 1/4 positive to 1/4 negative, zero desired.

TOE-IN: Zero to 1/16 inches.

KING PIN INCLINATION: 1946-47, 4 3/8 to 4 7/8 degree. 1948, 5 degree.

ADJUSTMENT

CASTER is controlled by full turns of the upper eccentric pin.

CAMBER is controlled by eccentric upper pin and full range is obtained in one-half turn.

TOE-IN: Should be adjusted at both tie rods.

